

## Installation Options

**Recessed Mount** - Rough Opening - 29-1/4" H x 22-1/2" W x 4" D  
(743 mm H x 572 mm W x 102 mm D)

**Surface Mount** - Reference Surface Mount Kit when ordering  
MSMK30D4P - Mirror Kit  
MSMK30D4##\* - Decorative Glass Kit

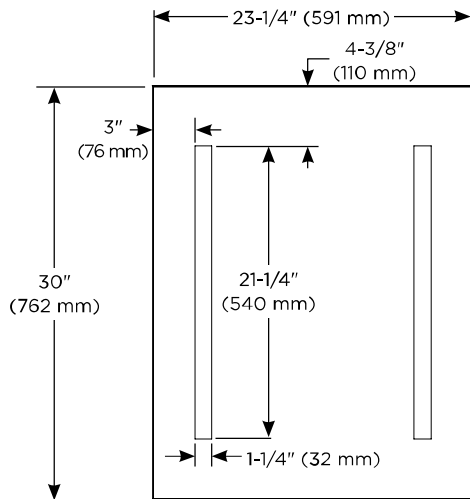
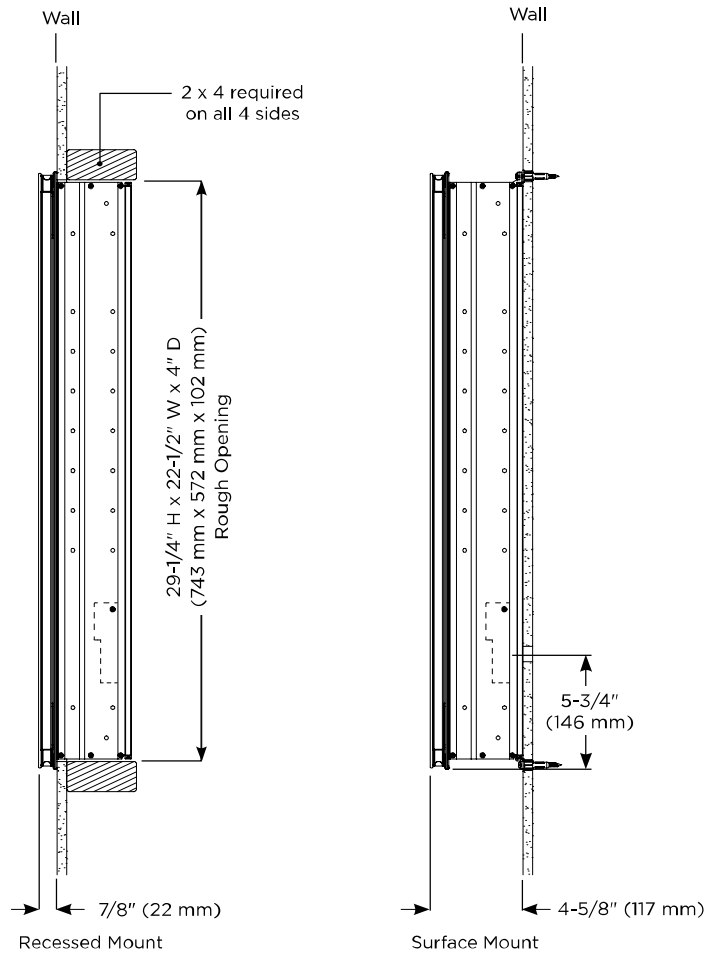
\*## - See Robern Price Book for a list of available finish options

## Electrical System

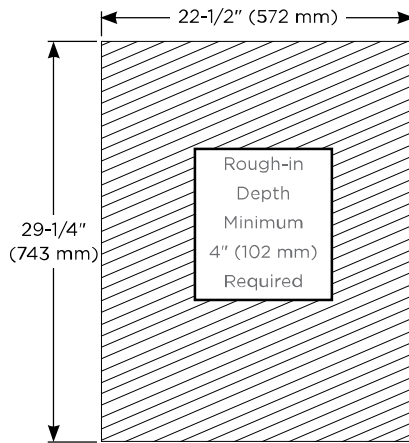
- Requires 120 VAC 60HZ 20A GFCI circuit for outlet power
- Field wire location as shown in drawing
- Two 1/2" conduit (Ø 7/8" actual) electrical knockout location shown below
- Included field wire cable clamp

## Optional Accessories

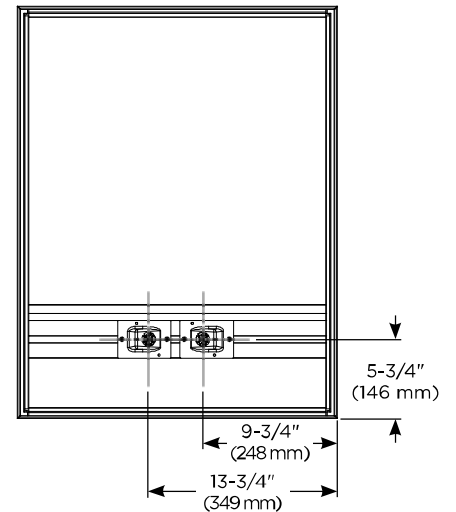
- Assorted glass bins:
  - Small (GLASSBIN3.25)
  - Medium (GLASSBIN5.25)
  - Large (GLASSBIN8.5)
- Razor/Phone Holder (MA-TRAY2.5)
- 3" and 5" Accessory Tray (MA-TRAY3, MA-TRAY5)
- Handle Kits (MHANDLEKIT)
- Pull-out Magnifying Mirror (POMM)
- Push-to-open Kit (MPUSHKIT)
- Safety Lock Box (SLB24D4)
- Swing out Magnifying Mirror (SOMM)
- Ganging Kit (MGKIT)



Cabinet Dimensions



Rough-in Dimensions



Back of Cabinet - Wire Access Location