



Premier Copper Products

# ITEM # VR16MPDB ROUND MINERS PAN VESSEL

OUTER DIMENSIONS: 21"X16"X4"

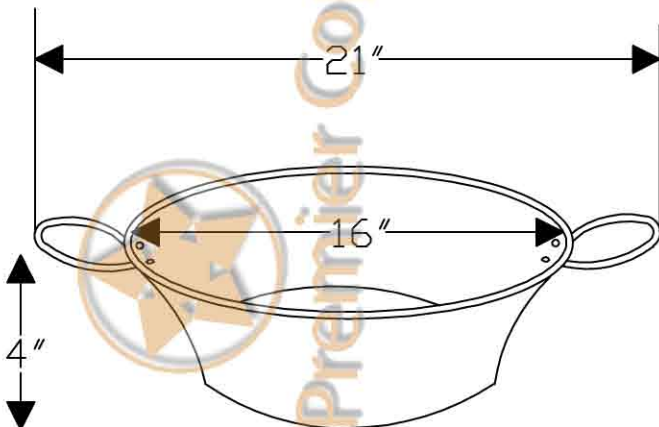
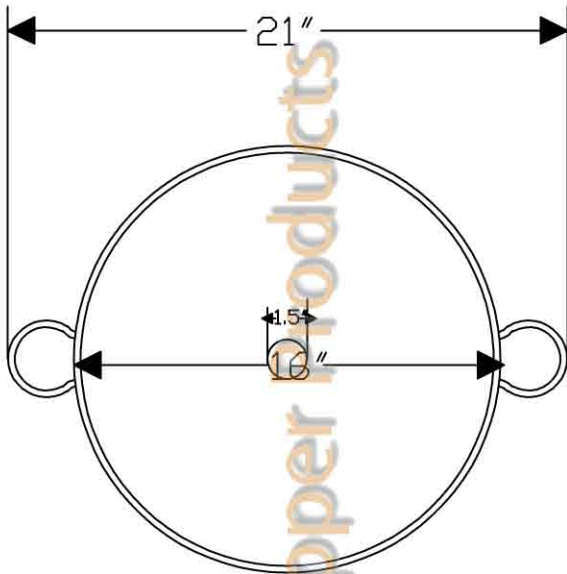
INNER DIMENSION: 16"X16"X4"

DRAIN SIZE: 1.5" W/O OVERFLOW

MATERIAL GAUGE: 17

CODE/STANDARD COMPLIANCE

\* IAPMO/cUPC LISTED



**IMPORTANT:** THIS PRODUCT IS HAND CRAFTED AND SMALL VARIANCES MAY OCCUR. DIMENSIONS MAY VARY UP TO 1/4". DO NOT MAKE ANY INSTALLATION CUTS UNTIL YOU RECEIVE YOUR SINK.