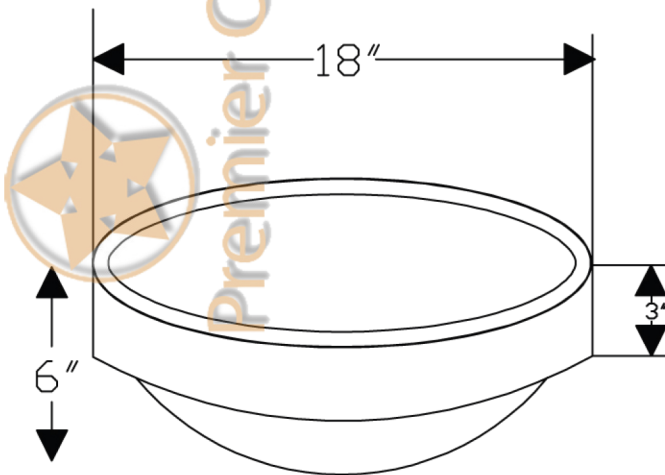
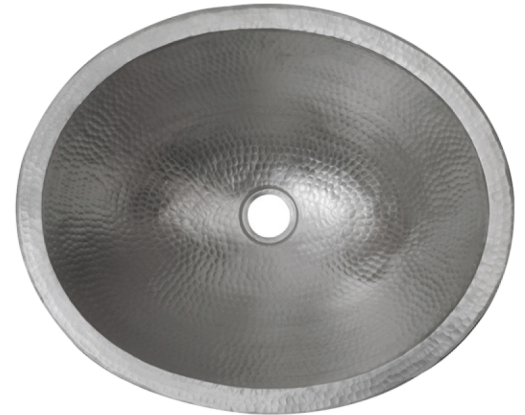
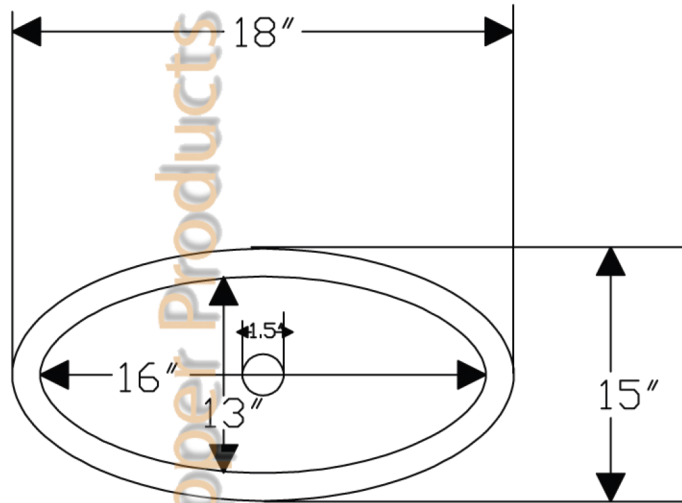




PREMIER
COPPER PRODUCTS

MODEL NUMBER: VO18SKEN

- * Description: Oval Skirted Vessel Hammered Copper Sink in Electroless Nickel
- * Outer Dimensions: 18" x 15" x 6"
- * Inner Dimensions: 16" x 13" x 3"
- * Rim: 1"
- * Drain Opening: 1.5" w/o Overflow
- * Finish: Electroless Nickel



This product is hand crafted, small variances in color and size may occur.
Dimensions may vary up to 1/4". Do not make any installation cuts until you receive your item(s).