

MODEL VG08005

CONTENT

PACKING LIST / TOOLS NEEDED

PANEL DIMENSIONS

FITTINGS / TECHNICAL DATA

WALL/CORNER INSTALLATION

CARE AND TROUBLE SHOOTING

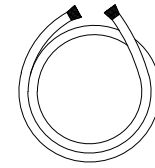
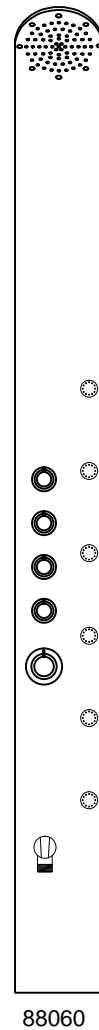
WARRANTY

PACKING LIST

DESCRIPTION	MODEL NUMBER
- PANEL HOUSING	88060
- HAND SHOWER HOSE	88004
- HAND SHOWER	88037
- FLEXIBLE HOSES 16" LONG WITH 1/2" FEMALE CONNECTION FOR HOT & COLD WATER SUPPLY	88005
- WALL MOUNTING BRACKET - 3PC	88006
- CORNER MOUNTING BRACKET - 2PC	88007C
- FIXING PLUGS - 6PC	84000
- SCREWS - 6PC	88008
- BLACK SCREEN - 2PC	84001
- BLUE WASHERS - 2PC	84044
- METAL WASHERS - 6PC	88092
- CORNER BRACKET INSTALLATION HDWR - 4SET	88074

MISCELLANEOUS PARTS

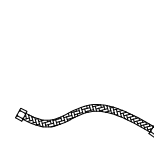
- THERMOSTATIC CARTRIDGE	88011B
- HANDLE FOR HEAD SHOWER	88039
- HANDLE FOR WATER JET	88040
- HANDLE FOR HAND SHOWER	88042
- HANDLE FOR THERMOSTATIC CONTROL	88043
- HANDLE BUTTON FOR VOLUME CONTROL	88044
- HANDLE BUTTON FOR THERMOSTATIC CONTROL	88045
- OVER HEAD SHOWER WITH STEM	88046
- STEM (MAIN VALVE)	88047
- VOLUME CONTROL CARTRIDGE	88048
- HAND SHOWER HOLDER	88018
- BODY JETS	88038
- 2.0 GPM FLOW RESTRICTOR	84045
- 2.5 GPM FLOW RESTRICTOR	84046



88004



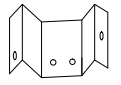
88037



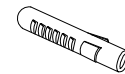
88005



88006



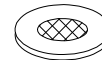
88007C



84000



88008



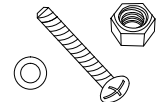
84001



88092

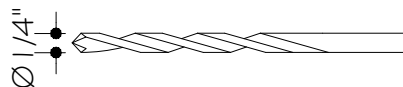
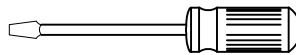
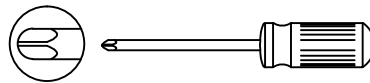
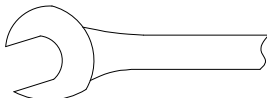
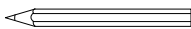


84044

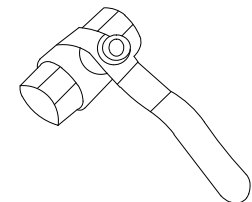


88074

TOOLS (NOT INCLUDED)



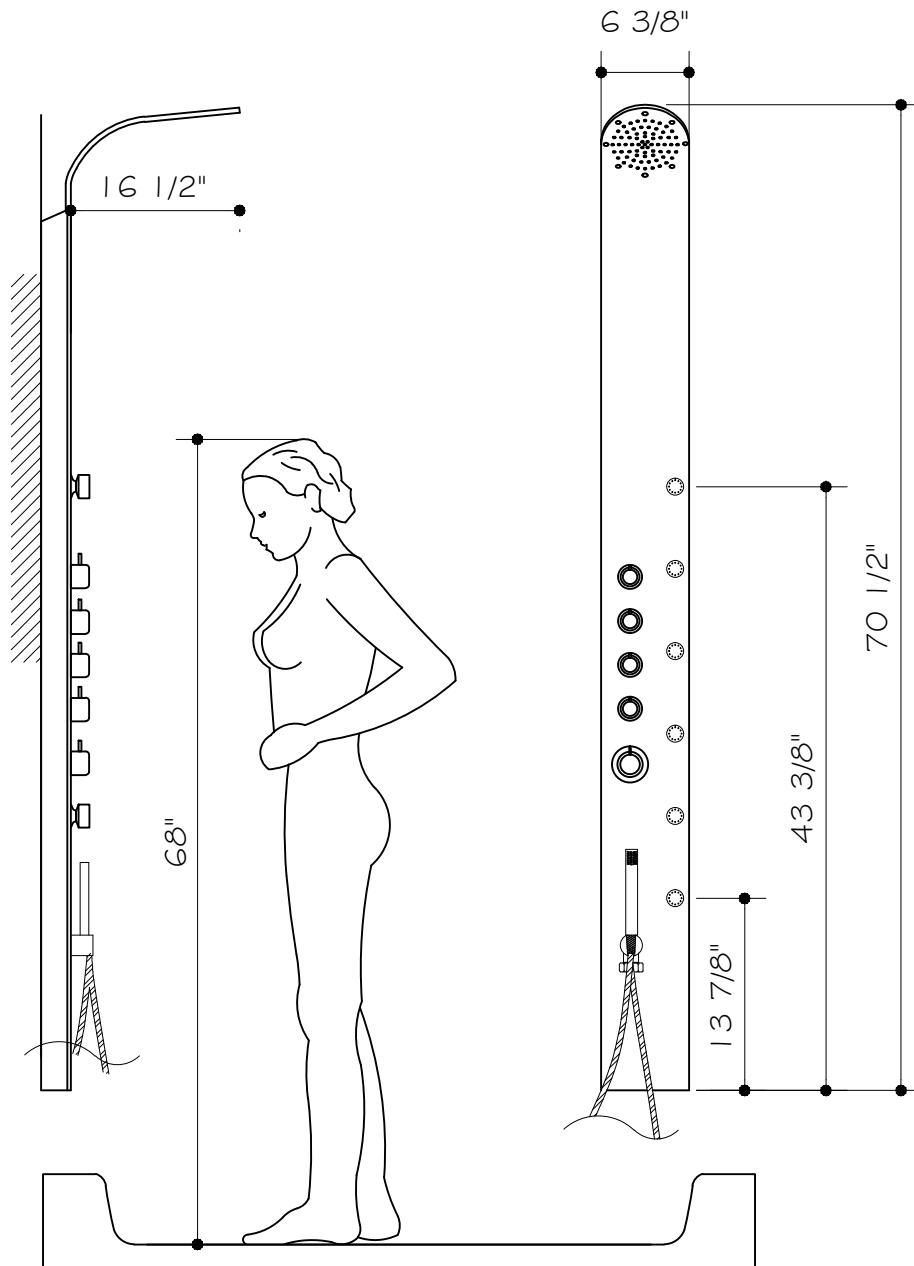
PRESSURE GAUGE TO ASSURE PROPER PRESSURE (MAX 60 PSI)



RECOMMENDED - SHUT OFF VALVES FOR HOT AND COLD



PANEL DIMENSIONS

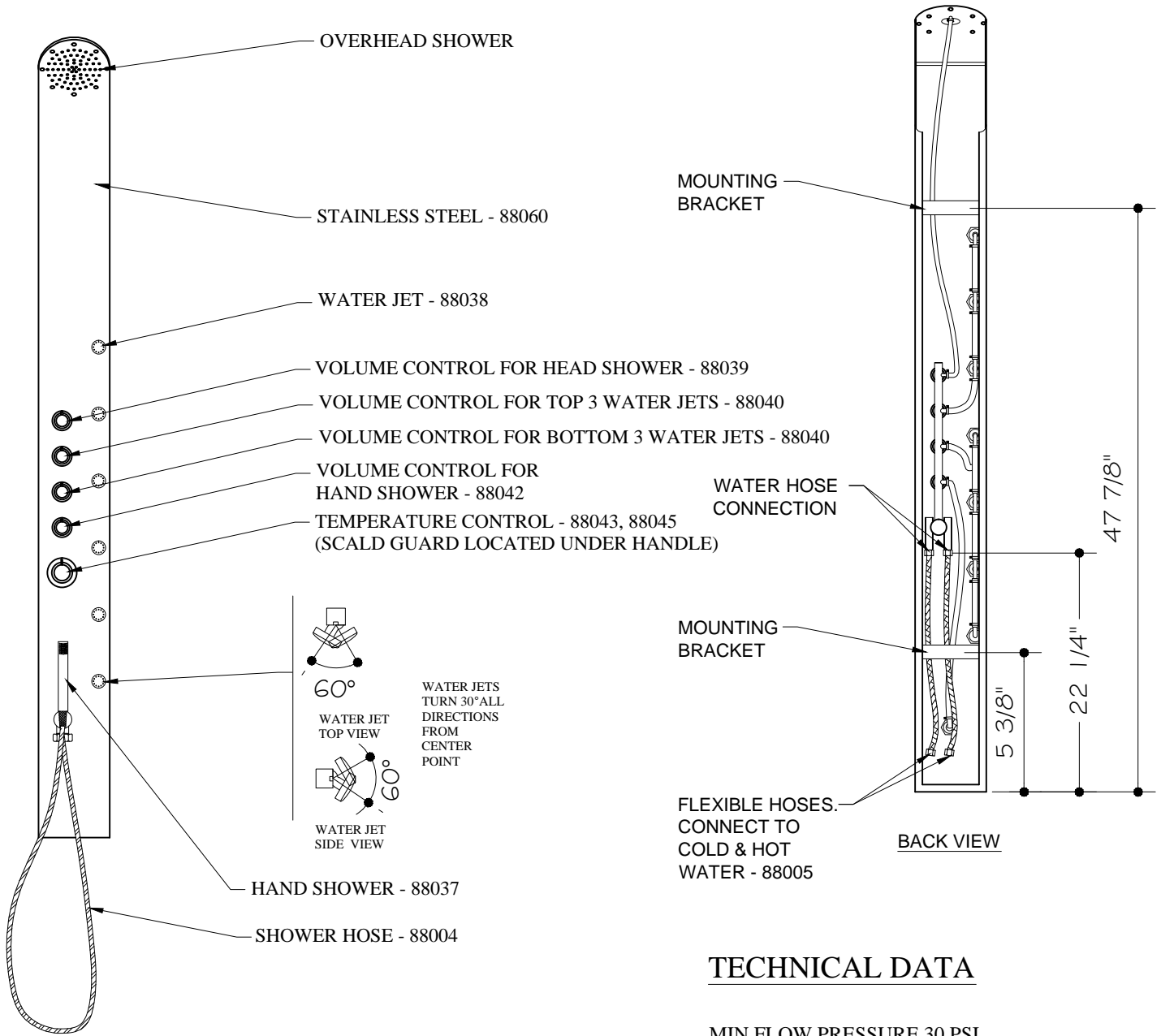


NOTE: Dimension may vary up to 3/8". It is highly recommended to pull all dimensions off actual model for installation and measuring purposes.

MODEL VG08005

THE MEASUREMENTS IN INCHES ARE ROUNDED TO THE NEAREST 1/8"

FITTINGS/TECHNICAL DATA



FRONT VIEW

TECHNICAL DATA

MIN.FLOW PRESSURE 30 PSI
 MAX OPERATING PRESSURE 60 PSI
 HOT WATER TEMPERATURE MAX.158°F
 SAFETY STOP 100°F
 OVERALL WATER PRESSURE IS 2.0 GALLONS
 HEAD SHOWER 2.0 GALLONS
 PER MINUTE AT 60 PSI

This product meets the CEC requirements. It is up to the discretion of the client to modify the product with the provided restricter. Doing so, will remove the ability for the product to meet certain low flow standards. Please talk to your local or statewide plumbing enforcement agency prior to modifying. Vigo is not responsible for any alterations and the affects that may come with altering the product, post sale and highly advises that the client only install product that meets the needs of their local plumbing code.

MODEL VG08005

THE MEASUREMENTS IN INCHES ARE ROUNDED TO THE NEAREST 1/8"

FLOW RATE REGULATIONS

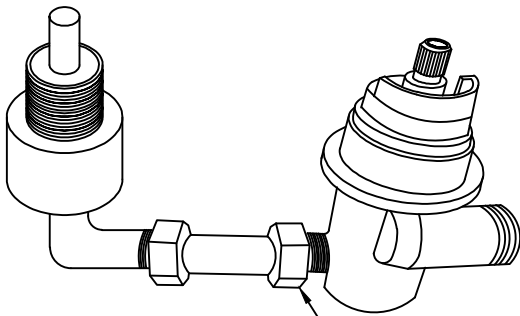
This product meets the CEC requirements. It is up to the discretion of the client to modify the product with the provided restrictor. Doing so will remove the ability for the product to meet certain low flow standards. Please talk to your local or statewide plumbing enforcement agency prior to modifying. Vigo is not responsible for any alterations and the affects that may come with altering the product post sale and highly advises that the client only install the product that meets the needs of their local plumbing code.

Flow rate with installed restrictor - 2.0 gpm
 Flow rate with restrictor provided in box - 2.5 gpm



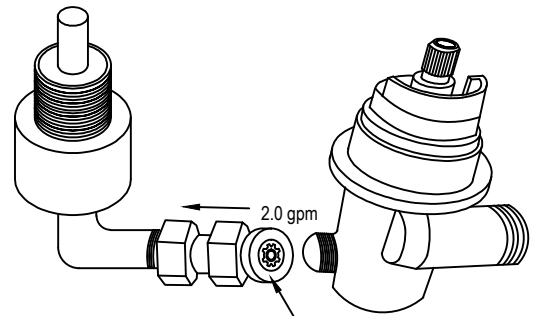
Restrictor

1



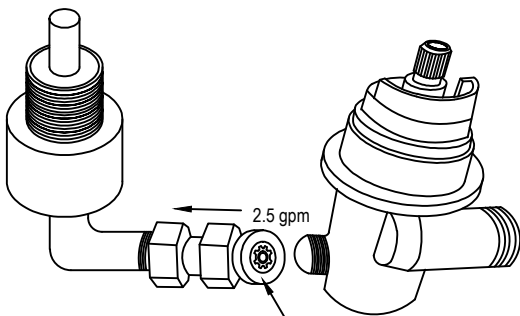
You will find the restrictor here. Twist open the nut counterclockwise to remove the restrictor.

2



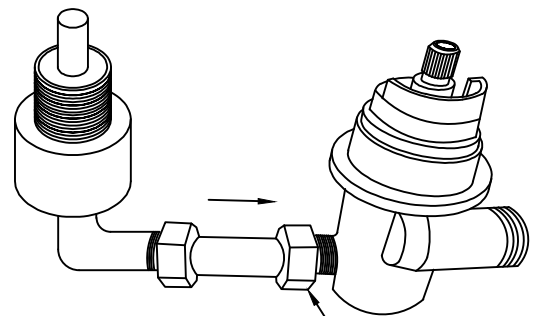
The nut will slide back along the tube. Remove the 2.0 gpm restrictor.

3



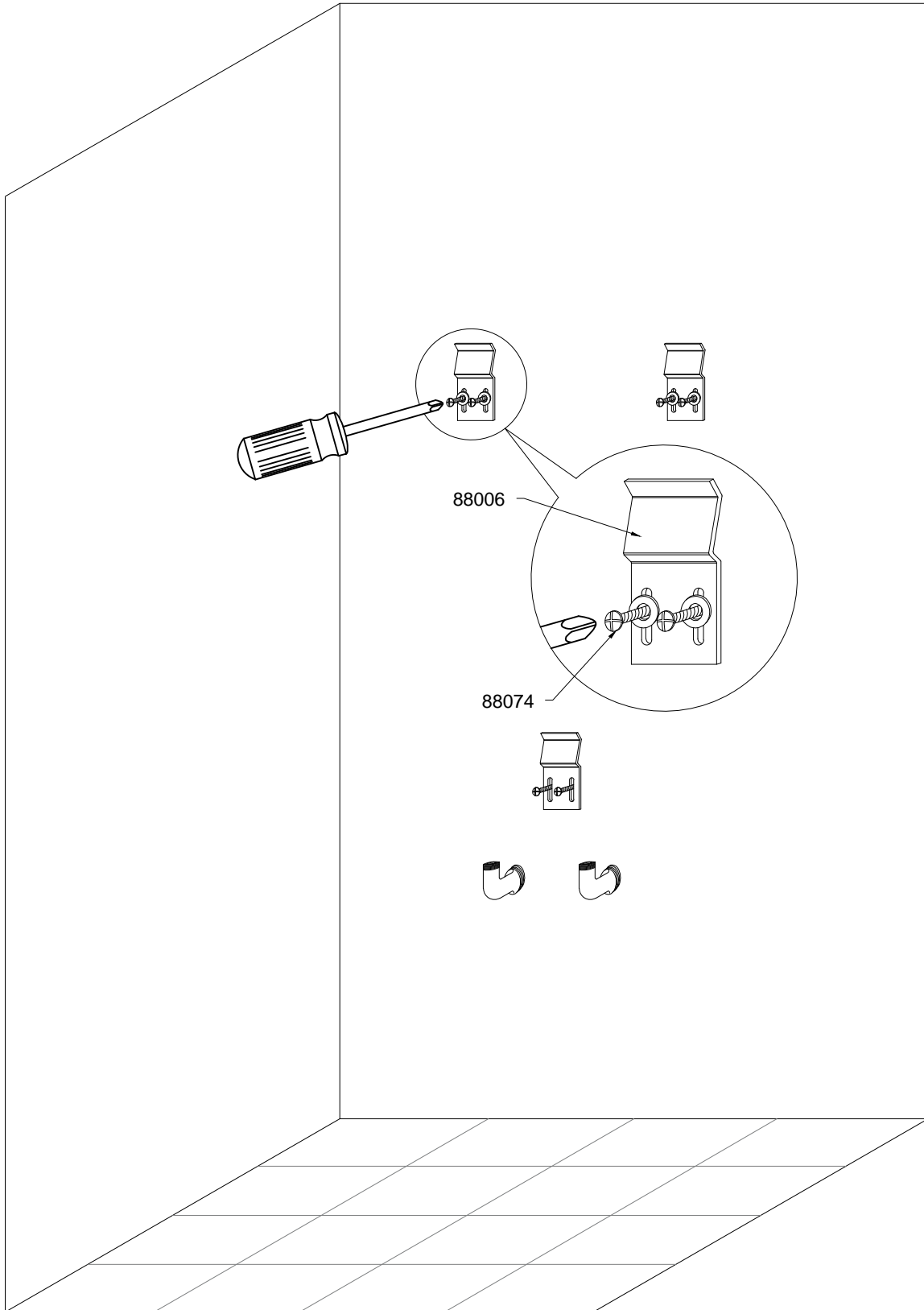
Once the 2.0 gpm restrictor is removed, replace it with the non CEC compliant 2.5 gpm restrictor (provided).

4




Slide the nut back along the tube and replace the nut by twisting it back on clockwise.

WALL INSTALLATION

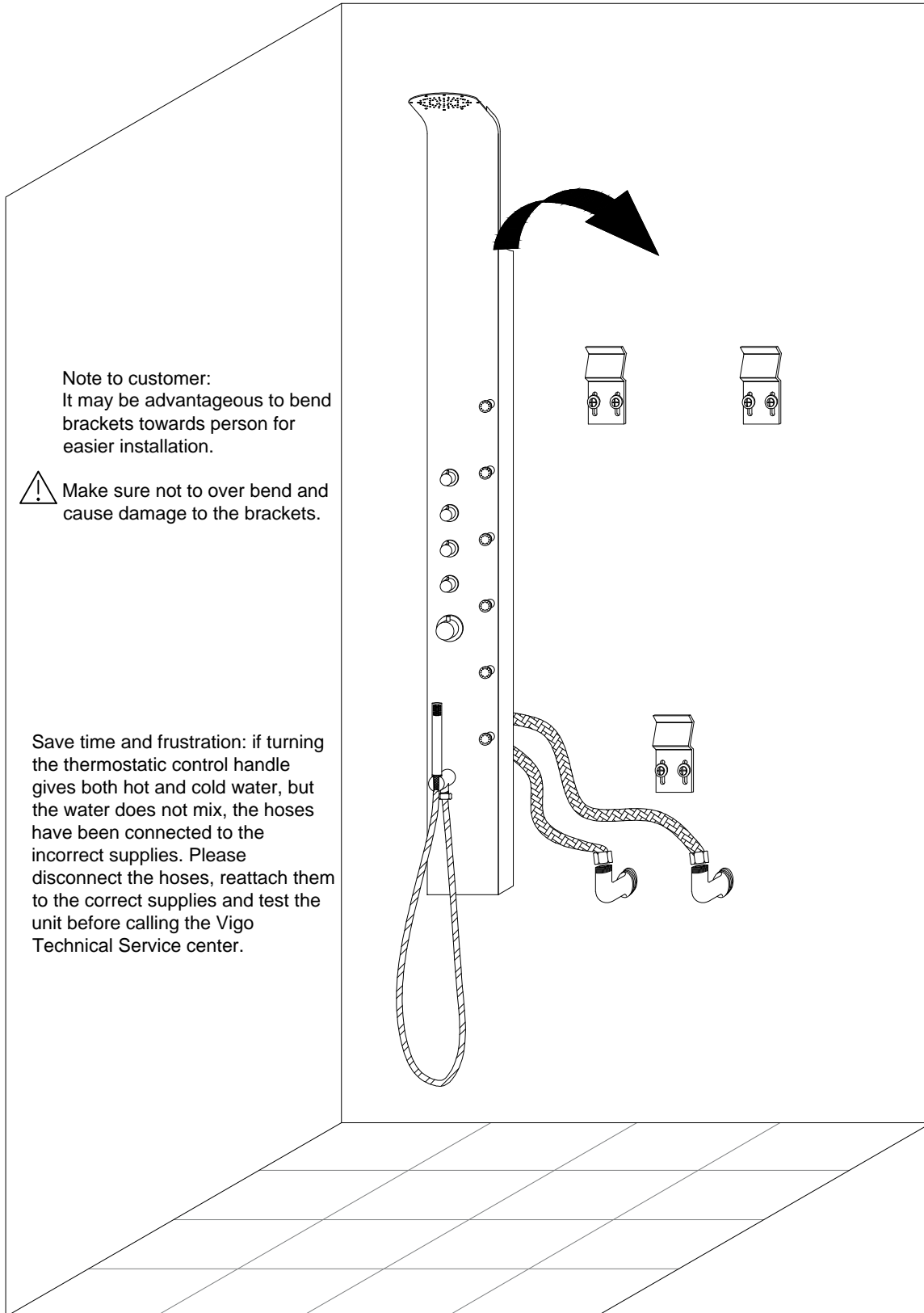


WALL INSTALLATION

Note to customer:
It may be advantageous to bend brackets towards person for easier installation.

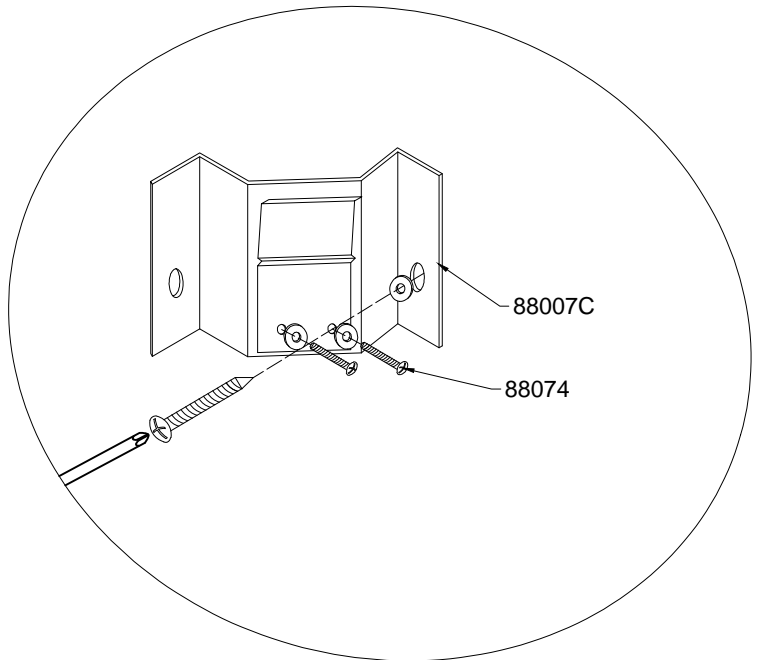
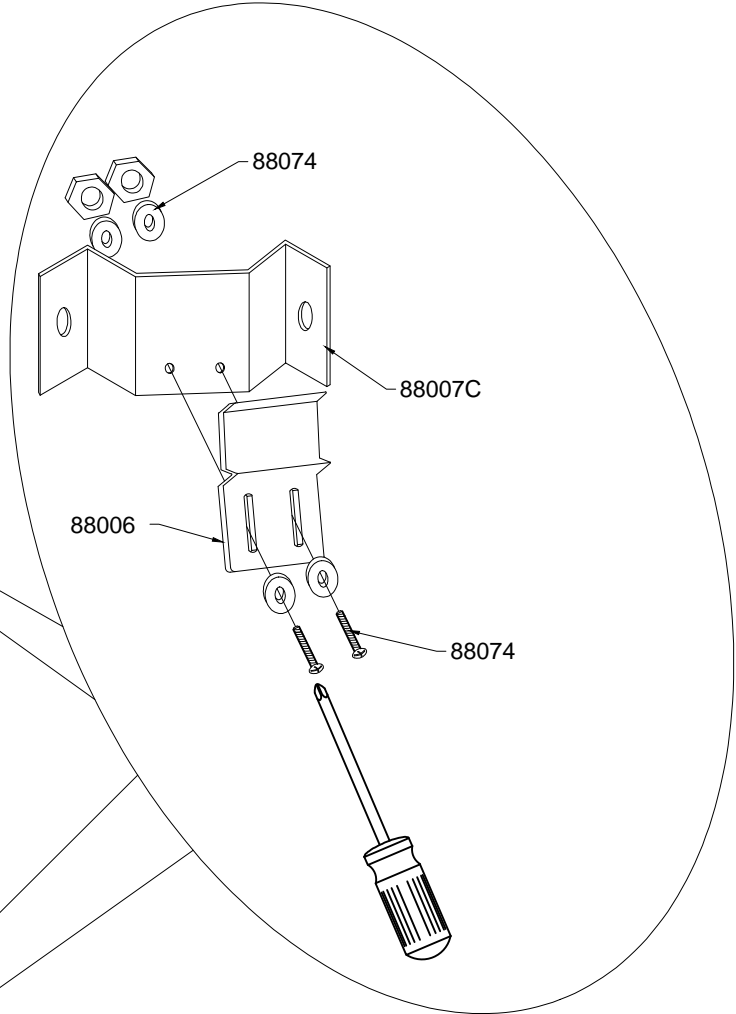
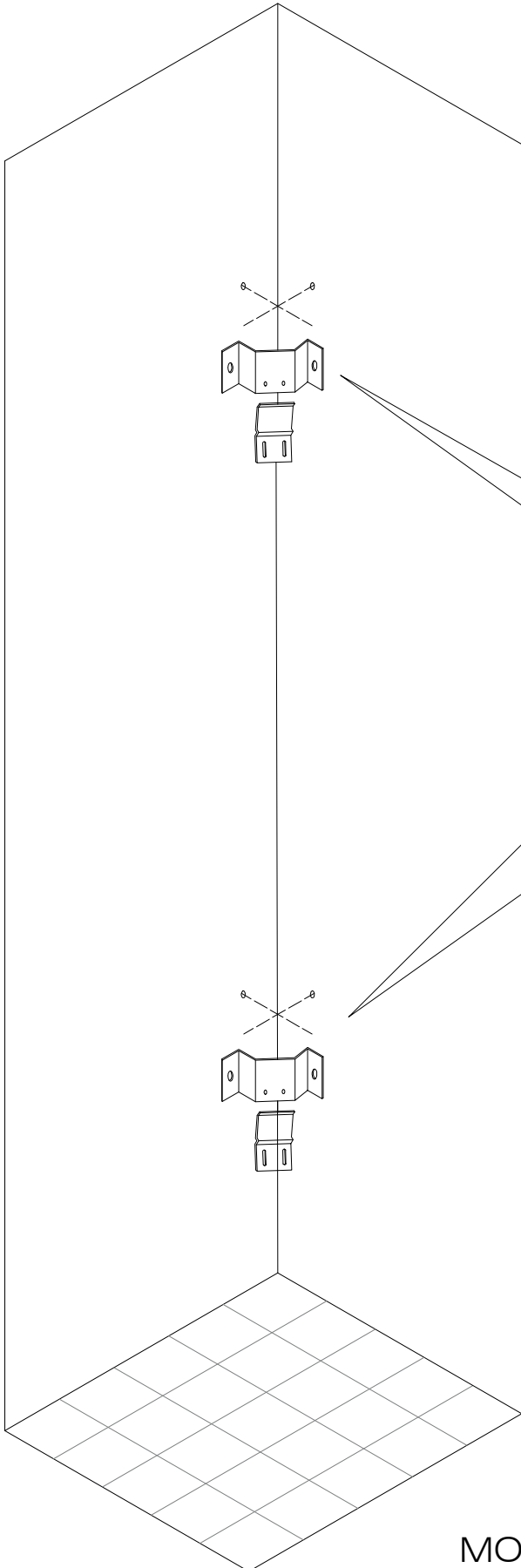
 Make sure not to over bend and cause damage to the brackets.

Save time and frustration: if turning the thermostatic control handle gives both hot and cold water, but the water does not mix, the hoses have been connected to the incorrect supplies. Please disconnect the hoses, reattach them to the correct supplies and test the unit before calling the Vigo Technical Service center.



MODEL VG08005

CORNER INSTALLATION



Cleaning Recommendation for Vigo Products

Modern sanitary tapware, kitchen mixers and showers consist of very different materials to comply with the needs of the market with regard to design and functionality.

To avoid damage and reclamations, it is necessary to consider certain criteria when cleaning.

Cleaning Material for Mixers and Showers

Acids are necessary ingredients of cleaning materials for removing lime, however, please pay attention to the following points when cleaning mixers and showers:

- Only use cleaning materials which are explicitly provided for this type of application.
- Never use cleaning materials which contain hydrochloric, formic or acetic acid, as they cause considerable damage.
- Phosphoric acid is also restricted as it can cause damage to the finish.
- Never mix any cleaning material with another.
- Never use cleaning materials or appliances that have an abrasive effect, such powdered and industrial cleansers, scouring pads or micro fiber cloths.

Cleaning Instructions for Mixers and Showers

Please follow the instructions on your cleaning materials. In addition, pay attention to the following points:

- Clean the mixers and showers as needed and when required.
- The cleaning dosage and time the cleaner needs to take effect should be adjusted according to the product and the cleaner should not be left longer than necessary.
- Regular cleaning can prevent calcification.
- When using spray cleaner, spray first onto a cloth or sponge-never directly spray onto the sanitary tapware as drops could enter openings and gaps and cause damage.
- After cleaning, rinse thoroughly with clean water to remove any cleaner residue.

Important

Residues of liquid soaps, shampoos and shower foams can also cause damage, so rinse with clean water after using. If the surface is already damaged, the effect of cleaning materials will cause further damage.

DAMAGE CAUSED BY IMPROPER TREATMENT WILL NOT BE COVERED BY OUR GUARANTEE AND/OR WARRANTY

Trouble Shooting

Issue	Cause	Remedy
water level is too low	debris in flexible hose connection	flush the line
hand shower delivering insufficient water	build up of mildew or soap scum	soak or replace hand shower
temperature regulation not possible (only hot or cold water at time of installation)***	thermostatic cartridge is defective PSI or GPM improper	exchange thermostatic cartridge install pressure regulator
temperature regulation not possible (only hot or cold water)	thermostatic cartridge is defective or supply hose(s) faulty	exchange thermostatic cartridge resecure or replace supply hose(s)

*** Vigo is not responsible for pressure related issues stemming from the home's water supply. The customer should read, understand and/or ask a certified plumber prior to installation. If these steps are not taken the product may not work at optimum efficiency.

TOLL FREE: (866) 591 - 7792

E-Mail:
techmail@vigoindustries.com

www.vigoindustries.com

VIGO

VIGO INDUSTRIES, LLC ("VIGO")
SHOWER PANEL LIMITED LIFETIME WARRANTY



EFFECTIVE JANUARY 1, 2010

VIGO offers the following limited warranty on each of its Shower Panel products* (the "Product") and the components thereof. This warranty extends only to the original owner or end-user for personal household use. For commercial uses, additional limitations apply.

VIGO warrants the structural components of the Product to be free from defects in workmanship and materials under normal use and service for the period commencing from the initial date of purchase by the owner or end-user, contractor, or builder, from VIGO or an authorized VIGO dealer, through the lifetime of the original owner or end-user.

VIGO warrants the mechanical components of the Product to be free from defects in workmanship and materials under normal use and service for a period of two (2) years from the initial date of purchase by the owner or end-user, contractor, or builder, from VIGO or an authorized VIGO dealer.

Subject to the Warranty Service provision below, any product reported to the authorized dealer or to VIGO as being defective within the warranty period will be repaired or replaced (with a product of equal value) at the option of VIGO. This warranty extends to the original owner or end-user and is not transferable to a subsequent owner.

Neither the distributor, authorized VIGO dealer, nor any other person has been authorized to make any affirmation, representation, or warranty other than those contained in this warranty. Any affirmation, representation, or warranty other than those contained in this warranty shall not be enforceable against VIGO or any other person.

VIGO reserves the right to modify this warranty at any time, it being understood that such modifications will not alter the warranty conditions applicable at the time of sale of the products in question.

Limitations

This warranty shall not apply to instances of incorrect operating procedures, breakages, or damages caused by fault through improper installation, carelessness, abuse, misuse, misapplication, improper maintenance, or alteration of the Product, as well as chemical or natural corrosion, accident, fire, flood, an act of God, or any other casualty. Avoid abrasive cleaners, steel wools, and harsh chemicals as these will scratch, damage, and / or dull the product and / or finish and void this warranty. The owner/end-user of the Product covered by the present warranty is entirely responsible for its proper installation and any applicable plumbing or electrical wiring. VIGO neither installs nor supervises the installation nor hires a contractor for this purpose; consequently, VIGO cannot be held responsible for any default, breakage, or damages caused thereby or resulting thereof, either directly or indirectly.

The owner/end-user must provide access to the components of the Product as described in the installation guide so that VIGO can execute the warranty specified herein. If such access is not available, all expenses to provide said access will be the responsibility of the owner/end-user.

This warranty does not apply to Products that have not been installed or operated in accordance with instructions supplied by VIGO and all applicable rules, regulations, and legislation pertaining to such installations.

This warranty does not apply unless the VIGO Product is installed by fully insured licensed professionals. Vigo strongly recommends that such licensed professionals have experience in the installation of bathroom and kitchen products. Installation of certain products, including, without limitation, glass products (i.e., shower doors and glass sinks) by an inexperienced person may result in glass breakage and, consequently, cause personal injury or death.

VIGO is not liable for personal injuries or deaths to any persons or for any direct, special, incidental, or consequential damage, loss of time, loss of profits, inconvenience, incidental expenses, labor or material charges, or any other costs resulting from the use of the product or equipment or pertaining to the application of the present warranty, or resulting from the removal or replacement of any product or element or part covered by this warranty.

EXCEPT AS OTHERWISE PROVIDED ABOVE, VIGO MAKES NO WARRANTIES, EXPRESSED OR IMPLIED, INCLUDING WARRANTIES OF MERCHANTABILITY AND FITNESS FOR A PARTICULAR PURPOSE OR COMPLIANCE WITH ANY CODE.

In any case, VIGO cannot be held liable for any amount over and above the purchase price paid for the Product by the owner/end-user, contractor, or builder.

Commercial Limitations

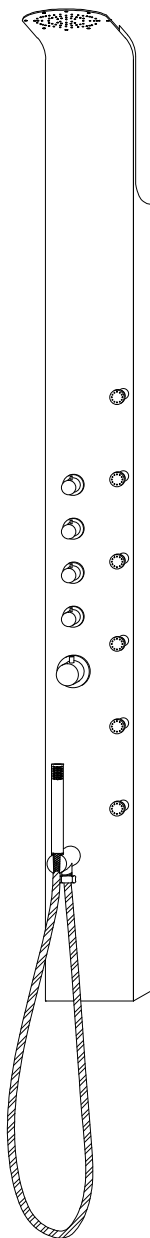
In addition to the above conditions and limitations, the warranty period for products installed for commercial applications or used in commercial ventures is one (1) year from the initial date of purchase by the owner/end-user, contractor, or builder from an authorized dealer. VIGO is not responsible for loss of use or profit under any circumstances. If the product is used as a display, the warranty period begins when the product is placed on display. This warranty gives the owner/end-user specific legal rights. The owner/end-user may also have other rights which can vary from one state or province to another.

Warranty Service

In order to obtain service provided under this warranty during regular business hours, contact the dealer or distributor who sold the unit, or contact VIGO directly. VIGO will provide the warranty service described above when the following conditions have been met: the failure is of the nature or type covered by the warranty; the user has informed an authorized VIGO Agent or VIGO's warranty service department representative of the nature of the problem during the warranty period; conclusive evidence (e.g., proof of purchase or installation) is provided to the foregoing by the user proving that the failure occurred or was discovered within the warranty period; an authorized independent service person or company representative has been permitted to inspect the product during regular business hours within a reasonable time after the problem was reported by the user. VIGO's warranty obligation shall be discharged upon tender of replacement or repair. The customer's refusal to accept the tender terminates VIGO's warranty obligations.

*Certain models are pending approval.

Certification may be ended by VIGO or certification agencies without notice.



Modèle VG08005

CONTENU

LISTES DES ARTICLES/OUTILS NÉCESSAIRES

DIMENSIONS DU PANNEAU

DONNÉES TECHNIQUES SUR LES RACCORDS

INSTALLATION MURALE ET EN ANGLE

ENTRETIEN ET DÉPANNAGE

GARANTIE

LISTE DES ARTICLES

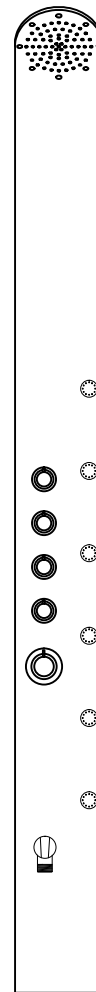
DESCRIPTION

MODÈLE NUMÉRO

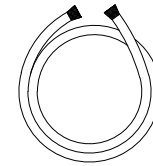
- CORPS DU PANNEAU	88060
- TUYAU DE DOUCHETTE	88004
- DOUCHETTE	88037
- FLEXIBLES 16" DE LONG AVEC RACCORD FEMELLE DE 1/2" POUR L'ARRIVÉE D'EAU FROIDE ET D'EAU CHAUDE	88005
- SUPPORT DE FIXATION MURALE - 3 PCS	88006
- SUPPORT DE FIXATION EN ANGLE - 2 PCS	88007C
- CHEVILLES DE FIXATION - 6 PCS	84000
- VIS - 6 PCS	88008
- ÉCRAN NOIR - 2 PCS	84001
- RONDELLES BLEUES - 2 PCS	84044
- RONDELLES MÉTALLIQUES - 6 PCS	88092
- QUINC. DE FIXATION DE SUPPORT D'ANGLE - 4 ENS.	88074

PIÈCES DIVERSES

- CARTOUCHE THERMOSTATIQUE	88011B
- POIGNÉE DE POMME DE DOUCHE	88039
- POIGNÉE DU JET D'EAU	88040
- POIGNÉE DE DOUCHETTE	88042
- POIGNÉE DU THERMOSTAT	88043
- PASTILLE DE POIGNÉE DE VOLUME	88044
- PASTILLE DE POIGNÉE DU THERMOSTAT	88045
- POMME DE DOUCHE AVEC VAPEUR	88046
- VAPEUR (ROBINET PRINCIPAL)	88047
- CARTOUCHE DU VOLUME	88048
- SUPPORT DE DOUCHETTE	88018
- JETS CORPORELS	88038
- 2.0 GPM FLUX DE RESTRICTION	84045
- 2.5 GPM FLUX DE RESTRICTION	84046



88060



88004



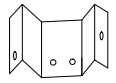
88037



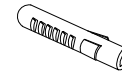
88005



88006



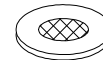
88007C



84000



88008



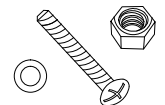
84001



88092

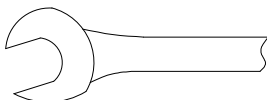
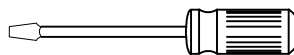
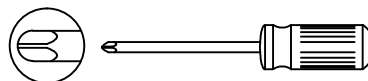
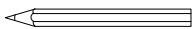


84044

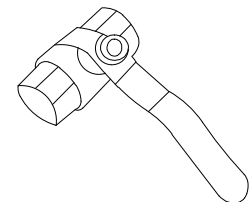


88074

OUTILS (NON INCLUS)



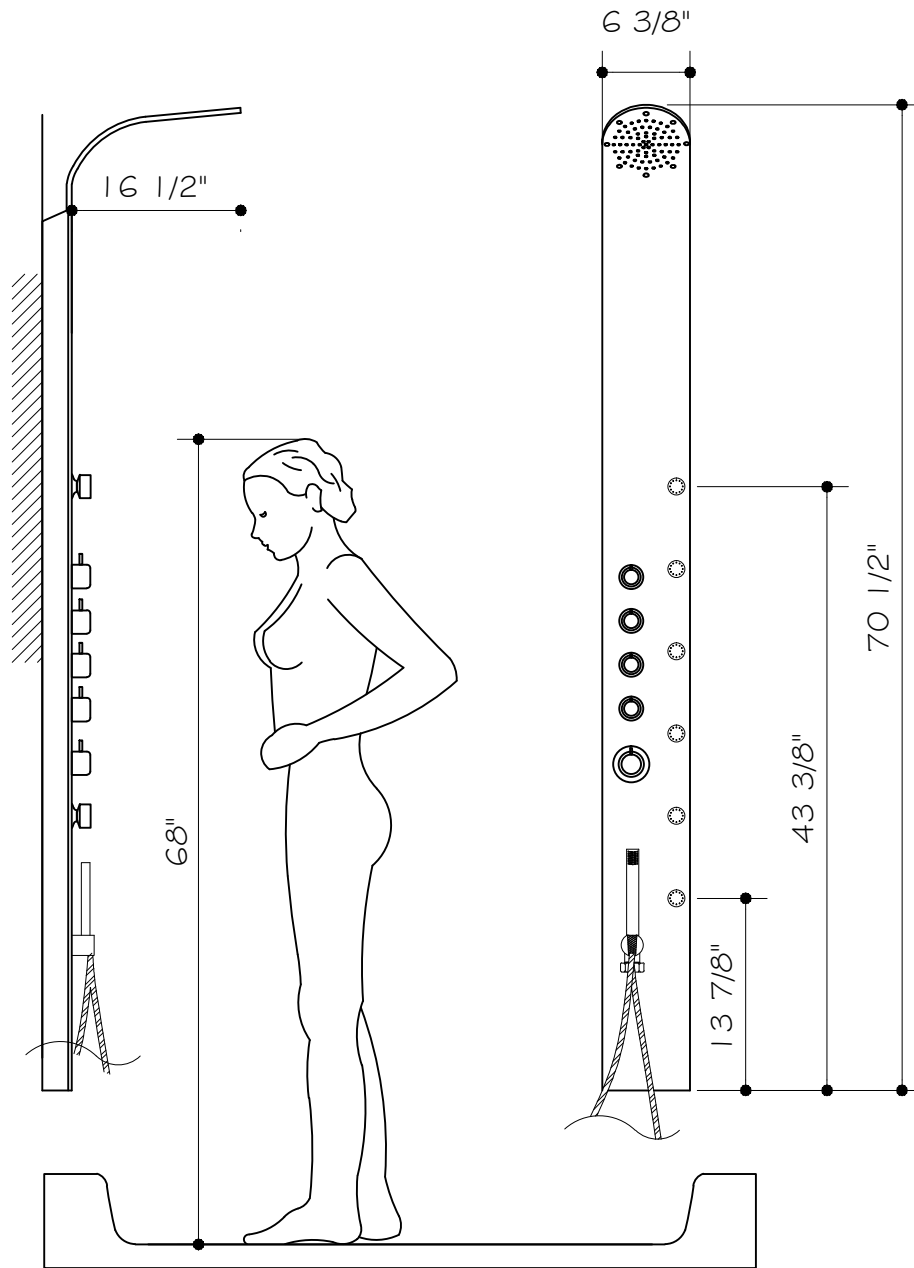
MANOMÈTRE ASSURANT
UNE PRESSION ADÉQUATE (60
LB/PO² MAX.)



RECOMMANDÉ - ROBINETS
D'ARRÊT POUR EAU CHAUDE
ET EAU FROIDE



DIMENSIONS DU PANNEAU

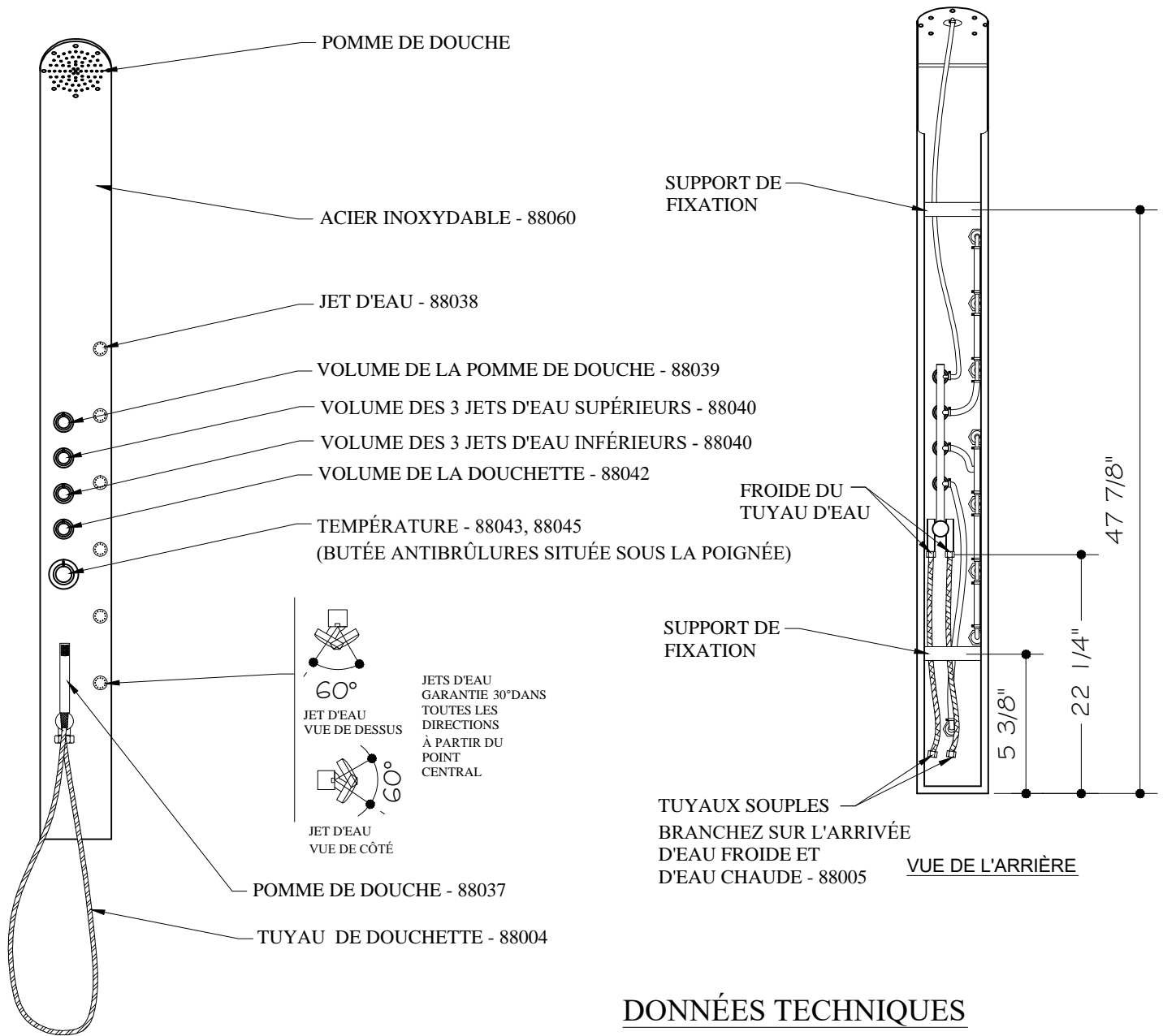


REMARQUE : Les dimensions peuvent varier d'un maximum de 3/8". Il est vivement conseillé de relever les dimensions réelles du modèle en vue de l'installation et de la prise de mesures.

MODÈLE VG08005

LES MESURES EN POUCHES SON ARRONDIES AU 8ÈME DE POUCE LE PLUS PROCHE

DONNÉES TECHNIQUES SUR LES RACCORDS



VUE DE FACE

DONNÉES TECHNIQUES

PRESSION D'ÉCOULEMENT MIN. 30 LB/PO²
 PRESSION DE SERVICE MAX. 60 LB/PO²
 TEMPÉRATURE MAX. DE L'EAU CHAUDE 158 °F
 BUTÉE DE SÉCURITÉ 100 °F
 LA PRESSION TOTALE DE L'EAU EST 7.6 LITRES
 - POMME DE DOUCHE 7.6 LITRES
 PAR MINUTE À 60 LB/PO²

MODÈLE VG08005

LES MESURES EN POUCHES SON ARRONDIES AU 8ÈME DE POUCE LE PLUS PROCHE

RÈGLEMENT DE DÉBIT

Ce produit répond aux exigences de la CCE. Il est à la discrétion du client de modifier le produit avec le restricteur fourni. Cela permettra d'éliminer la capacité du produit à répondre à certaines normes de faible débit. S'il vous plaît parlez à votre organisme d'application de la plomberie locale ou échelle de l'État avant de modifier. Vigo est pas responsable des modifications et de la touche qui peut venir avec la modification du poste de vente de produits et conseille que le client n'installe le produit qui répond aux besoins de leur code de plomberie local hautement.

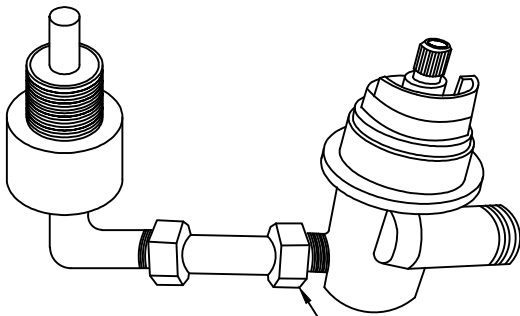
Débit avec limiteur de débit installé - 2.0 gpm

Débit avec étranglement prévu dans la boîte - 2.5 gpm



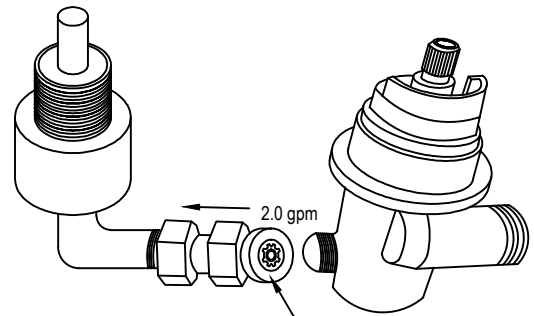
Etranglement

1



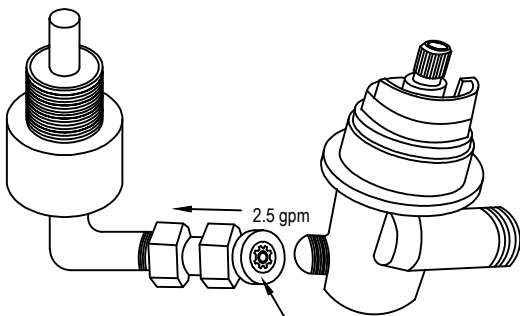
Vous trouverez ici le restricteur. Twist ouvrir l'écrou dans le sens antihoraire pour retirer le limiteur.

2



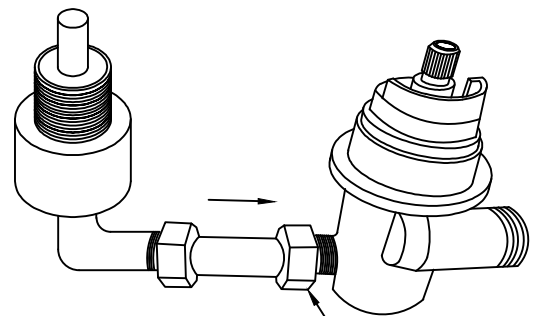
L'écrou va glisser vers l'arrière le long du tube. Retirez le restricteur 2.0 gpm.

3



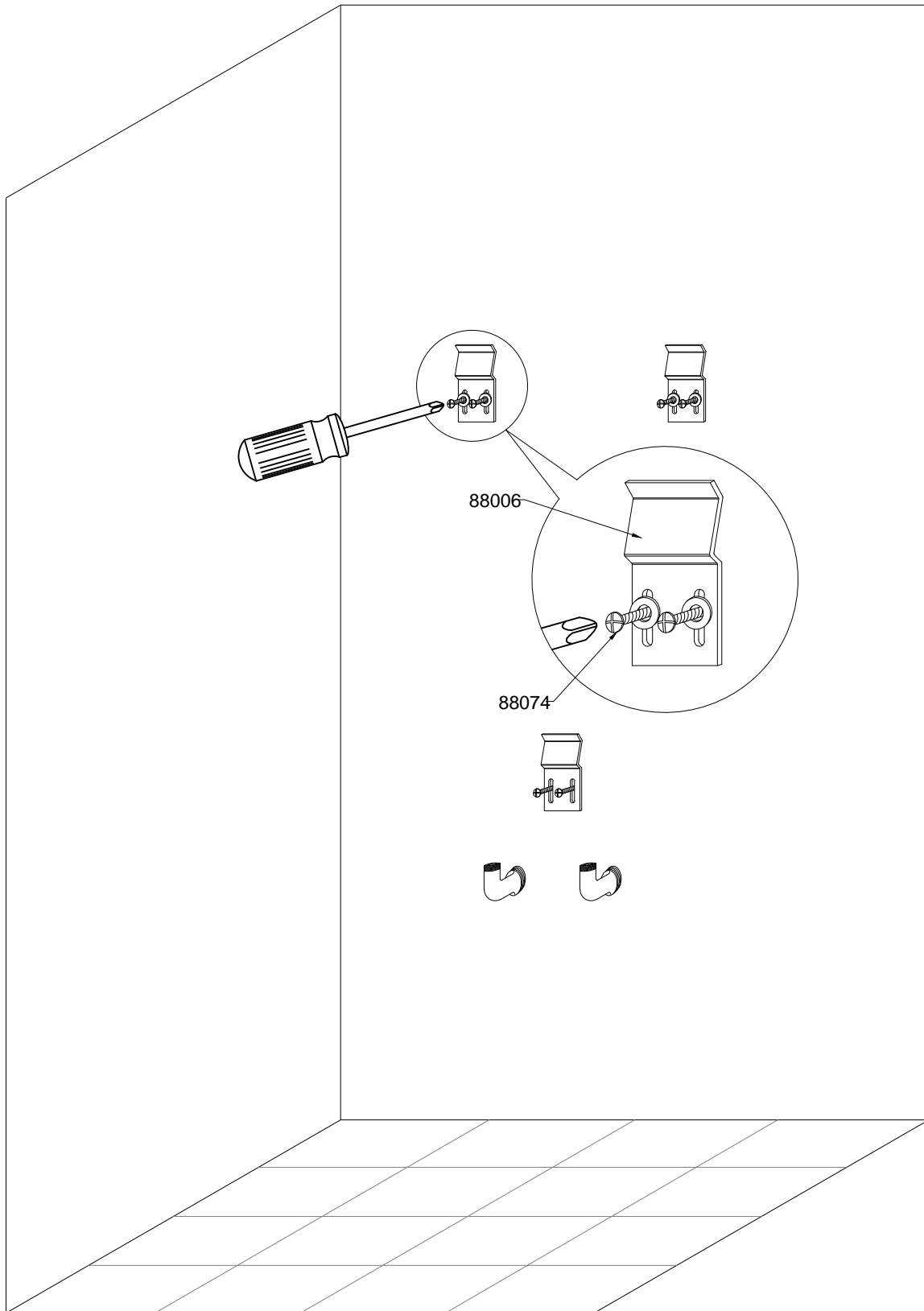
Une fois que le limiteur 2.0 gpm est enlevé, le remplacer par le CEC restricteur 2,5 gpm non (fourni).

4




Faites glisser l'écrou arrière le long du tube et de remplacer l'écrou en le tournant en arrière sur le sens horaire.

INSTALLATION MURALE

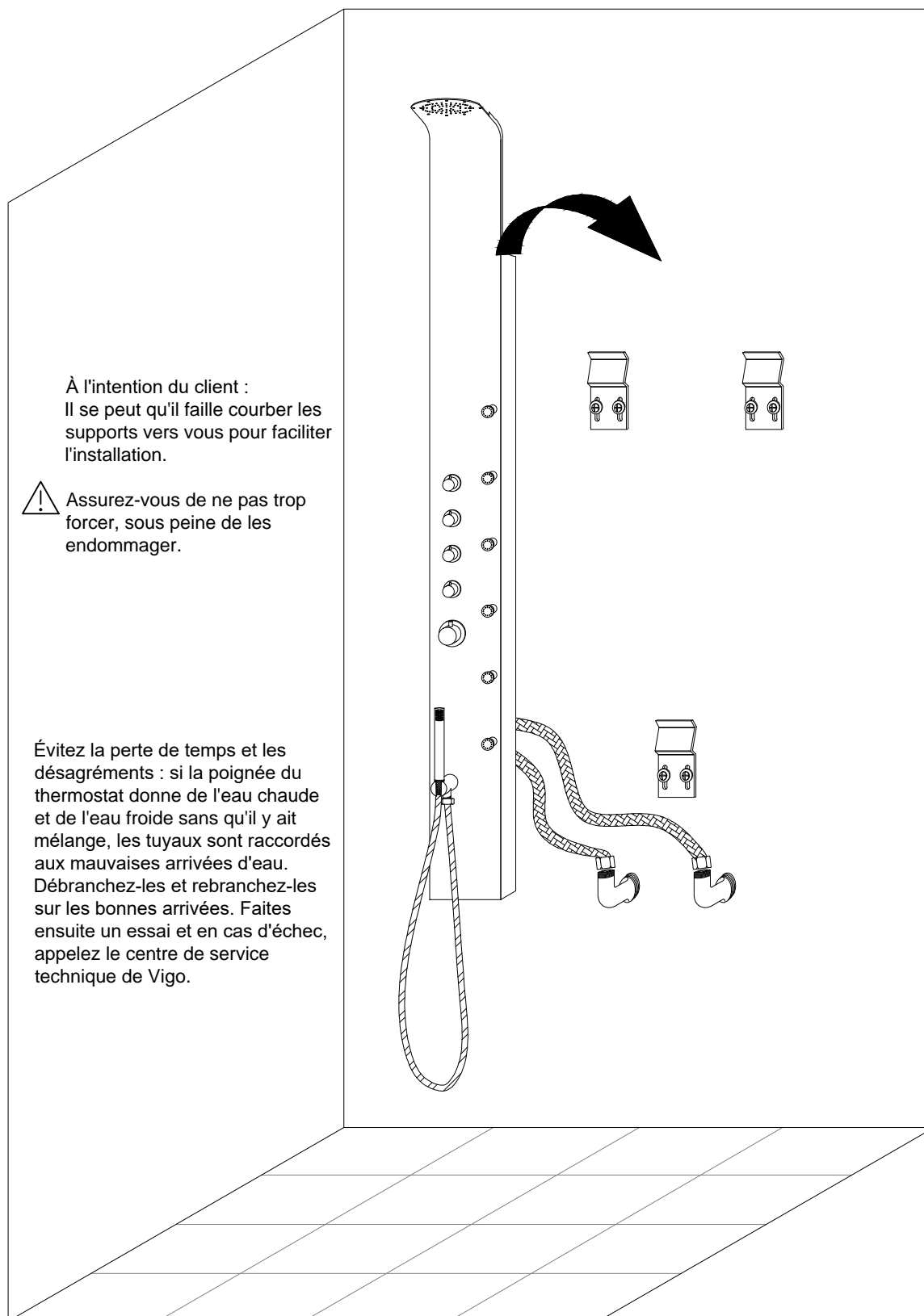


INSTALLATION MURALE

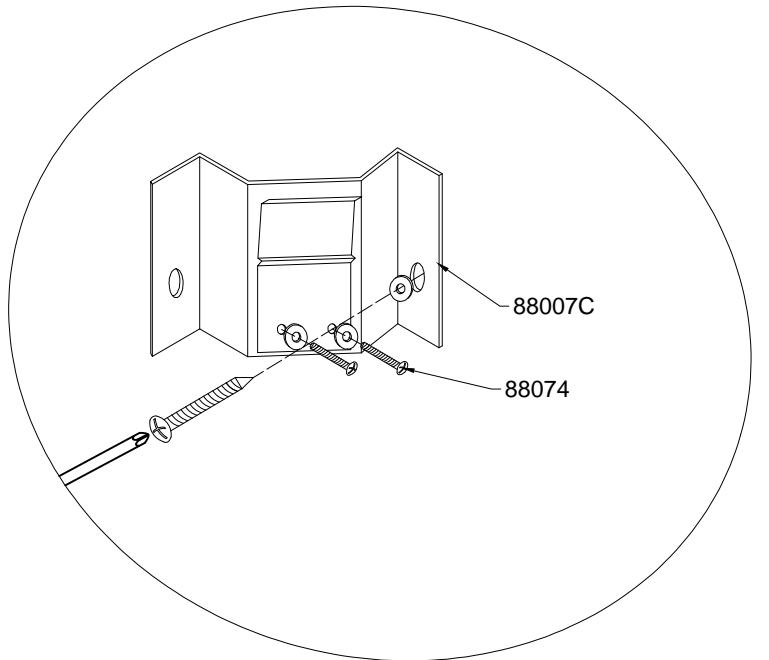
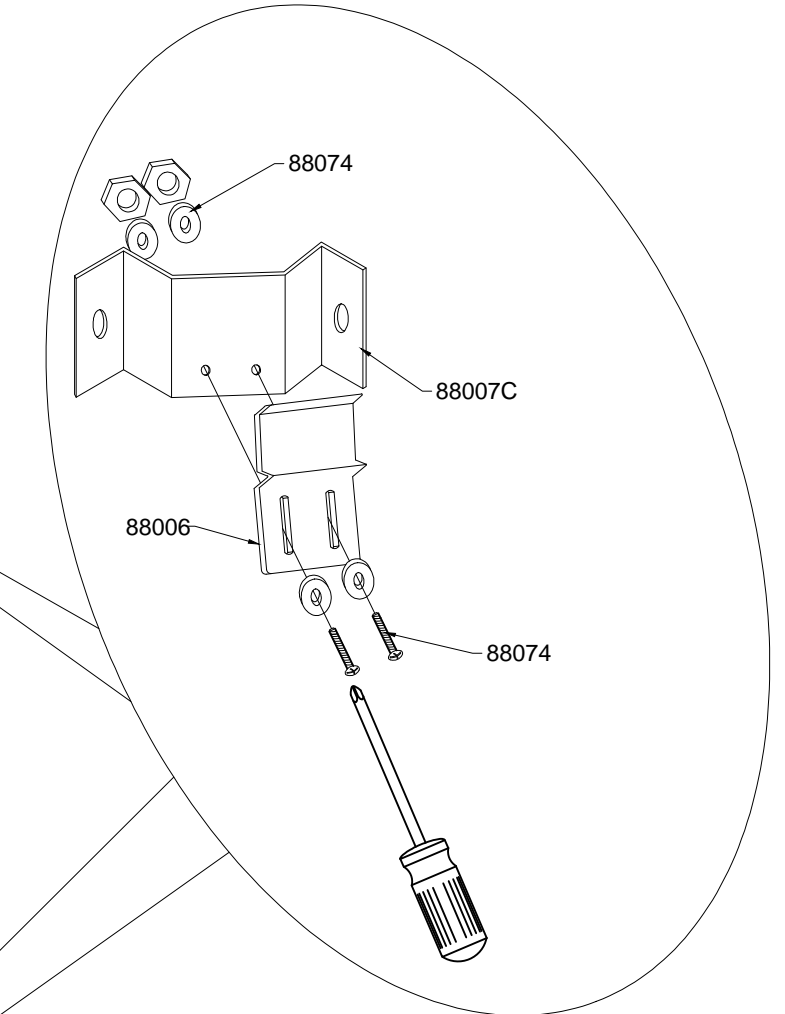
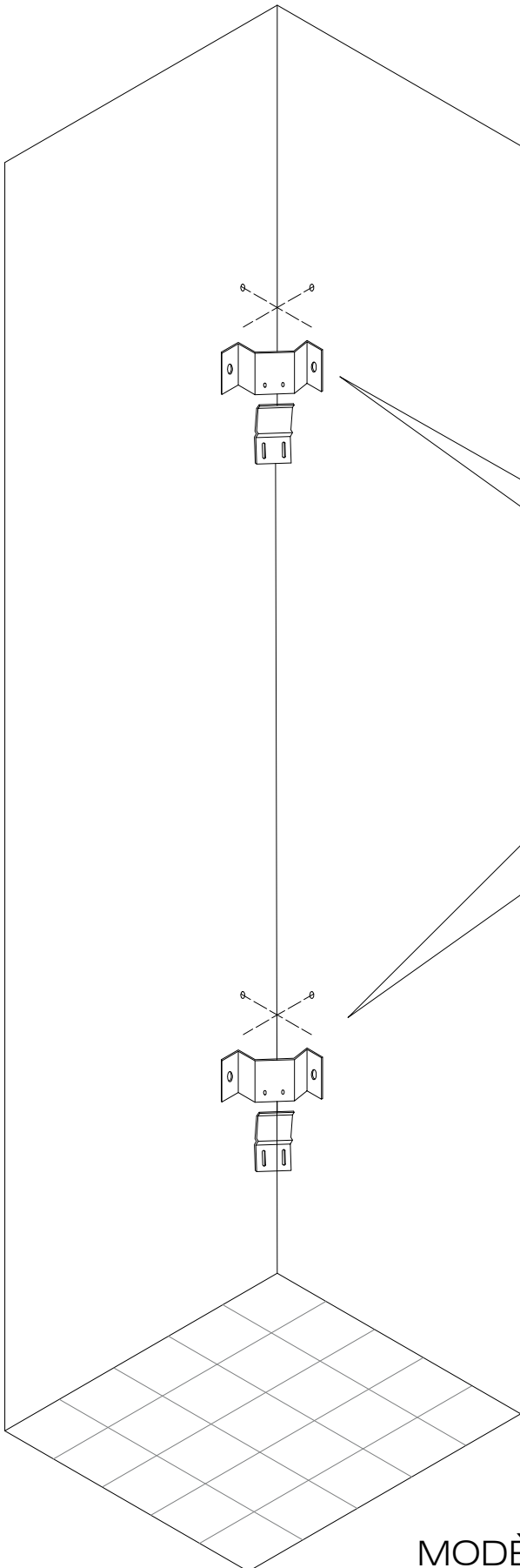
À l'intention du client :
Il se peut qu'il faille courber les supports vers vous pour faciliter l'installation.

 Assurez-vous de ne pas trop forcer, sous peine de les endommager.

Évitez la perte de temps et les désagréments : si la poignée du thermostat donne de l'eau chaude et de l'eau froide sans qu'il y ait mélange, les tuyaux sont raccordés aux mauvaises arrivées d'eau. Débranchez-les et rebranchez-les sur les bonnes arrivées. Faites ensuite un essai et en cas d'échec, appelez le centre de service technique de Vigo.



INSTALLATION EN ANGLE



Conseils de nettoyage des produits Vigo

La robinetterie, les mitigeurs de cuisine et les douches d'aujourd'hui sont faits de matériaux très différents qui répondent aux attentes de la clientèle en matière de design et de fonctionnalité.

Pour éviter les dégâts et les réclamations, il est nécessaire de tenir compte de certains éléments lors du nettoyage.

Produits de nettoyage des mitigeurs et des douches

Les acides présents dans les produits de nettoyage sont indispensables pour éliminer les dépôts calcaires. Toutefois, tenez compte des éléments suivants lors du nettoyage des mitigeurs et des douches :

- N'employez que des produits de nettoyage explicitement conçus pour ce type d'utilisation.
- N'utilisez jamais des produits de nettoyage contenant de l'acide chlorhydrique, de l'acide formique ou de l'acide acétique, qui peuvent provoquer d'importants dégâts.
- L'acide phosphorique est également à proscrire, car il peut endommager le fini.
- Ne mélangez jamais différents produits de nettoyage.
- N'utilisez jamais des produits ou des matériaux nettoyants abrasifs, comme les nettoyeurs en poudre et industriels, les tampons à récurer ou les chiffons en microfibres.

Consignes de nettoyage des mitigeurs et des douches

Respectez les consignes des produits de nettoyage. De plus, respectez les instructions suivantes :

- Nettoyez les mitigeurs et les douches chaque fois que nécessaire.
- Adaptez la dose et la durée d'action du nettoyant au produit, et ne le laissez pas agir plus longtemps que nécessaire.
- Vous éviterez la formation de dépôts de calcaire en procédant à un nettoyage régulier.
- Si votre produit est vendu en vaporisateur, commencez par le vaporiser sur un chiffon ou une éponge, jamais directement sur la robinetterie, car des gouttelettes pourraient pénétrer dans les orifices et les fentes et causer des dégâts.
- Après le nettoyage, rincez abondamment le produit à l'eau claire pour éliminer toute trace de nettoyant.

Important

Les résidus de savons liquides, de shampoings et de gels douches peuvent également provoquer des dommages. Rincez le produit à l'eau claire après l'avoir utilisé. Si la surface est déjà endommagée, les produits de nettoyage risquent d'aggraver la situation.

LES DOMMAGES CAUSÉS PAR UN TRAITEMENT INADAPTÉ NE SONT PAS COUVERTS PAR NOTRE GARANTIE

Dépannage

Problème	Cause	Solution
Le débit d'eau est trop bas	Débris dans le raccord de flexible	Rincez le conduit
Écoulement d'eau trop faible à la douche	Accumulation de moisissures ou de résidus de savon	Rincez ou remplacez la douche
Impossible de régler la température de l'eau (eau chaude ou eau froide seulement à l'installation)***	La cartouche thermostatique est défectueuse	Remplacez la cartouche thermostatique
	Pression ou débit inadapté	Installez un régulateur de pression
Impossible de régler la température de l'eau (eau chaude ou eau froide seulement)	La cartouche thermostatique est défectueuse	Remplacez la cartouche thermostatique
	ou le problème vient des tuyaux d'alimentation	Resserrez ou remplacez les tuyaux d'alimentation

*** Vigo n'est pas responsable des problèmes de pression de l'arrivée d'eau du logement. Le client devrait lire et comprendre les conditions ou poser des questions à un plombier certifié avant l'installation. Si ces étapes ne sont pas respectées, il se peut que le produit ne soit pas totalement efficace.

SANS FRAIS : 866 591 - 7792

Courriel : techmail@vigoindustries.com

www.vigoindustries.com

VIGO

EN VIGUEUR LE 1ER JANVIER 2010

VIGO accorde la garantie limitée suivante sur chacun de ses panneaux de douche* (le « produit ») et leurs composants. Cette garantie ne s'applique qu'au premier acheteur ou utilisateur final en vue d'un usage personnel domestique. D'autres limitations s'appliquent en cas d'usage commercial.

Sous réserve de conditions normales d'entretien et d'utilisation, VIGO garantit les composants structurels du produit contre tout vice matériel ou de fabrication et ce, pendant toute la vie du premier propriétaire ou utilisateur final et à partir de la date du premier achat du produit à VIGO ou à un détaillant autorisé de VIGO, par le propriétaire ou l'utilisateur final, l'entrepreneur ou le constructeur.

Sous réserve de conditions normales d'entretien et d'utilisation, VIGO garantit les composants mécaniques du produit contre tout vice matériel ou de fabrication pendant deux (2) ans à partir de la date du premier achat du produit à VIGO ou à un détaillant agréé de VIGO, par le propriétaire, l'utilisateur final, l'entrepreneur ou le constructeur.

Sous réserve de la disposition ci-dessous concernant le service de garantie, tout produit déclaré défectueux auprès d'un détaillant agréé ou de VIGO au cours de la période de garantie sera réparé ou remplacé (par un produit de valeur équivalente) au choix de VIGO. Cette garantie s'applique au premier propriétaire ou utilisateur final et n'est pas transférable à un propriétaire ultérieur.

Aucun distributeur, détaillant agréé de VIGO ou autre tiers n'a reçu l'autorisation de faire des affirmations ou des représentations ou encore de donner des garanties autres que celles contenues dans la présente garantie. Aucune affirmation, représentation ou garantie autre que celles contenues dans la présente garantie n'est opposable à VIGO ou à un tiers.

VIGO se réserve le droit de modifier la présente garantie à tout moment, étant entendu que les dites modifications ne peuvent changer les autres dispositions applicables au moment de la vente des produits visés.

Limitations

Cette garantie ne s'applique pas en cas de procédures d'utilisation incorrectes, de bris ou de dégâts découlant d'une faute due à une mauvaise installation, à la négligence, à une utilisation abusive, à une utilisation non autorisée, à un mauvais entretien ou à la modification du produit, ainsi qu'à une corrosion chimique ou naturelle, à un accident, à un incendie, à une inondation, à une catastrophe naturelle ou à tout autre sinistre. Les nettoyeurs abrasifs, la laine d'acier et les produits chimiques puissants peuvent érafler, endommager ou ternir le produit et/ou le fini et entraîner l'annulation de la présente garantie. Le propriétaire/l'utilisateur final du produit couvert par la présente garantie est entièrement responsable de sa bonne installation et des travaux de plomberie et de câblage électrique. VIGO n'installe pas le produit, ne supervise pas l'installation ni n'engage un entrepreneur à cette fin. Par conséquent, VIGO ne peut être tenue responsable des défauts, des bris ou des dégâts causés par l'installation ou en découlant, que ce soit directement ou indirectement.

Le propriétaire utilisateur final doit prévoir un accès aux composants du produit conformément aux explications du guide d'installation, afin que VIGO puisse exécuter les obligations stipulées aux présentes. En l'absence dudit accès, toutes les dépenses engagées pour le ménage seront à la charge du propriétaire/de l'utilisateur final.

La présente garantie ne s'applique pas aux produits qui n'ont pas été installés ou utilisés conformément aux consignes fournies par VIGO et à l'ensemble des règlements et des lois qui régissent ladite installation.

La présente garantie ne s'applique que si le produit VIGO est installé par des professionnels accrédités et entièrement assurés. VIGO recommande vivement de choisir des professionnels accrédités possédant de l'expérience dans l'installation de produits pour salles de bains et cuisines. Des personnes non expérimentées dans l'installation de certains produits, y compris sans toutefois s'y limiter, les produits en verre (portes de douches et lavabos en verre) sont susceptibles de les briser et, par conséquent, de provoquer des blessures, voire la mort.

VIGO n'est en aucun cas responsable des blessures, des décès ou des dommages directs, spéciaux, consécutifs ou indirects; de la perte de temps; de la perte de profits; des inconvénients; des frais accessoires, des coûts de main-d'œuvre ou de matériaux et de tout autre coût découlant de l'utilisation du produit ou de l'équipement ou en lien avec l'exécution de la présente garantie, ou encore découlant de la dépose ou du remplacement d'un produit, d'une pièce ou d'un élément couvert par la présente garantie.

SAUF DISPOSITION CONTRAIRE CI-DESSUS, VIGO NE FAIT AUCUNE GARANTIE, EXPRESSE OU IMPLICITE, Y COMPRIS DE VALEUR MARCHANDE, D'ADAPTATION À UN USAGE PARTICULIER OU DE CONFORMITÉ À UN CODE.

En aucun cas, VIGO ne peut être tenue responsable de tout montant supérieur au prix d'achat du produit déboursé par le propriétaire/l'utilisateur final, l'entrepreneur ou le constructeur.

Limitations commerciales

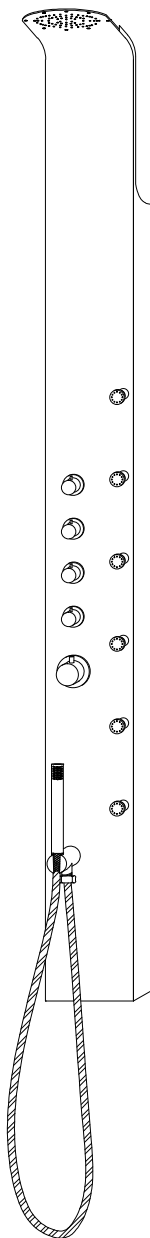
Outre les conditions et limitations ci-dessus, la période de garantie des produits installés dans un but commercial ou employés dans des commerces est de un (1) an à partir de la date du premier achat du produit par le propriétaire utilisateur final, l'entrepreneur ou le constructeur. En aucun cas, VIGO ne peut être tenue responsable des pertes de jouissance ou de profits. Si le produit est exposé, la période de garantie commence au moment où il est mis en exposition. La présente garantie confère au propriétaire utilisateur final des droits légaux auxquels peuvent s'ajouter d'autres droits selon l'état ou la province.

Service de garantie

Pour obtenir un service en vertu de la présente garantie pendant les heures normales d'ouverture, communiquez avec le détaillant ou le distributeur qui a vendu l'article, ou contactez directement VIGO. Si les conditions suivantes sont réunies, VIGO fournira le service de garantie décrit plus haut : la nature ou le type du problème est couvert par la garantie; l'utilisateur a informé un représentant autorisé de VIGO ou du service de garantie de VIGO de la nature du problème pendant la période de garantie; l'utilisateur a présenté aux personnes précitées des preuves concluantes (p. ex., preuve d'achat ou d'installation) indiquant que le problème est survenu ou a été découvert pendant la période de garantie; le représentant d'une personne ou une société de service agréée indépendante a pu inspecter le produit pendant les heures d'ouverture normales dans un délai raisonnable après le report du problème par l'utilisateur. Les obligations de VIGO au titre de la garantie seront exécutées lors de la proposition de remplacement ou de réparation. Le refus de ladite proposition par le client met fin aux obligations de VIGO au titre de la garantie.

Certains modèles sont en attente d'approbation.

VIGO et les organismes de certification peuvent résilier les certificats sans préavis.



MODELO VG08005

CONTENIDO

CONTENIDOS DEL PAQUETE/HERRAMIENTAS NECESARIAS

DIMENSIONES DEL PANEL

ACCESORIOS/DATOS TÉCNICOS

INSTALACIÓN EN PARED/ESQUINA

CUIDADO Y SOLUCIÓN DE PROBLEMAS

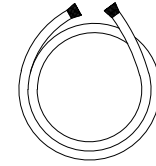
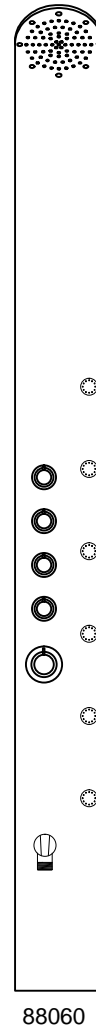
GARANTÍA

CONTENIDOS DEL PAQUETE

DESCRIPCIÓN	NÚMERO DE MODELO
- CAJA DEL PANEL	88060
- MANGUERA DE DUCHA DE MANO 8	88004
- DUCHA DE MANO	88037
- MANGUERAS FLEXIBLES DE 16" DE LARGO CON CONEXIÓN HEMBRA DE 1/2" PARA SUMINISTRO DE AGUA CALIENTE Y AGUA FRÍA	88005
- APOYO DE PARED - 3 PIEZAS	88006
- APOYO DE ESQUINA - 2 PIEZAS	88007C
- TARUGOS DE FIJACIÓN - 6 PIEZA	84000
- TORNILLOS - 6 PIEZAS	88008
- MAMPARA NEGRA - 2 PIEZAS	84001
- ARANDELAS AZULES - 2 PIEZAS	84044
- ARANDELAS DE METAL - 6 PIEZAS	88092
- FERRETERÍA DE INSTALACIÓN DE APOYO DE ESQUINA - 4 JUEGOS	88074

OTRAS PIEZAS

- CARTUCHO TERMOSTÁTICO	88011B
- LLAVE PARA CABEZA DE DUCHA	88039
- LLAVE PARA CHORRO DE AGUA	88040
- LLAVE PARA DUCHA DE MANO	88042
- LLAVE PARA CONTROL TERMOSTÁTICO	88043
- BOTÓN DE LLAVE PARA CONTROL DE VOLUMEN	88044
- BOTÓN DE LLAVE PARA CONTROL TERMOSTÁTICO	88045
- CABEZA DE DUCHA CON VÁSTAGO	88046
- VÁSTAGO (VÁLVULA PRINCIPAL)	88047
- CARTUCHO DE CONTROL DEL VOLUMEN	88048
- SOPORTE DE DUCHA DE MANO	88018
- CHORROS PARA EL CUERPO	88038
- 2.0 GPM LIMITADOR DE FLUJO	84045
- 2.5 GPM LIMITADOR DE FLUJO	84046



88004



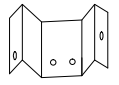
88037



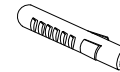
88005



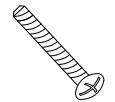
88006



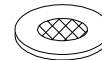
88007C



84000



88008



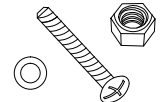
84001



88092



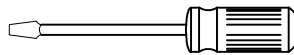
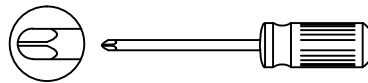
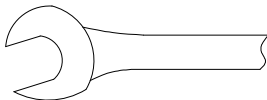
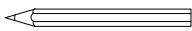
84044



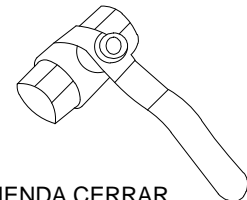
88074

HERRAMIENTAS

(NO INCLUIDO)



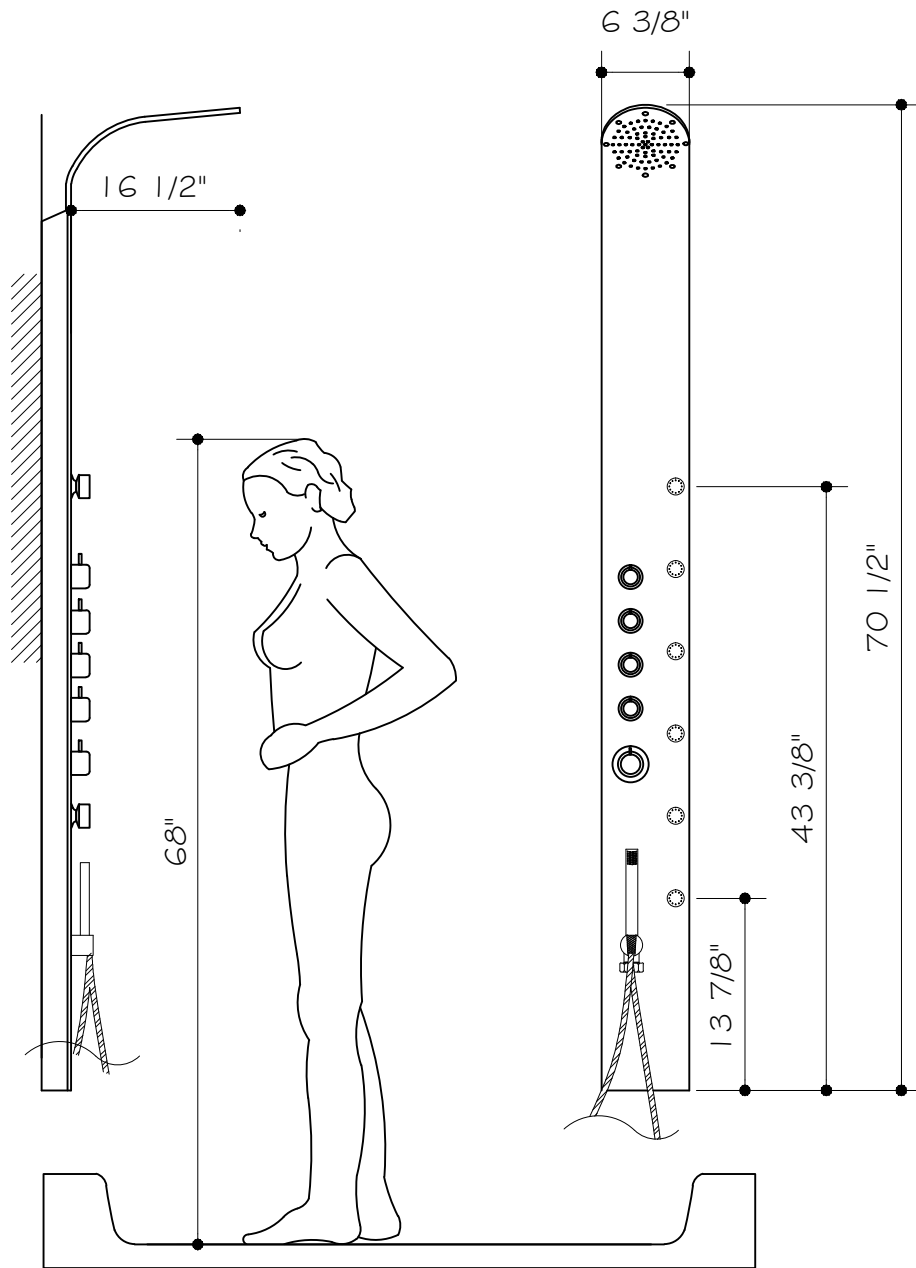
MANÓMETRO PARA GARANTIZAR
LA PRESIÓN ADECUADA
(MÁX. 60 PSI)



SE RECOMIENDA CERRAR
LAS VÁLVULAS DE AGUA
CALIENTE Y AGUA FRÍA



DIMENSIONES DEL PANEL

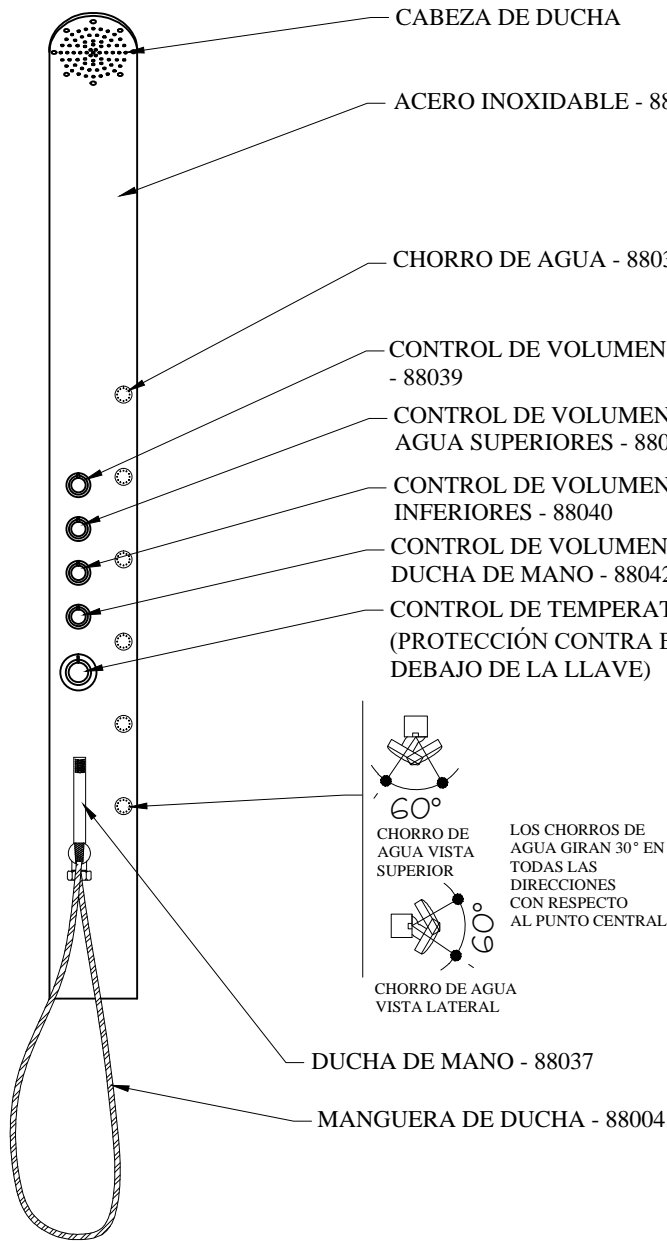


NOTA: la dimensión puede variar hasta 3/8". A los fines de la instalación y la medición, se recomienda en especial sacar todas las dimensiones del modelo real.

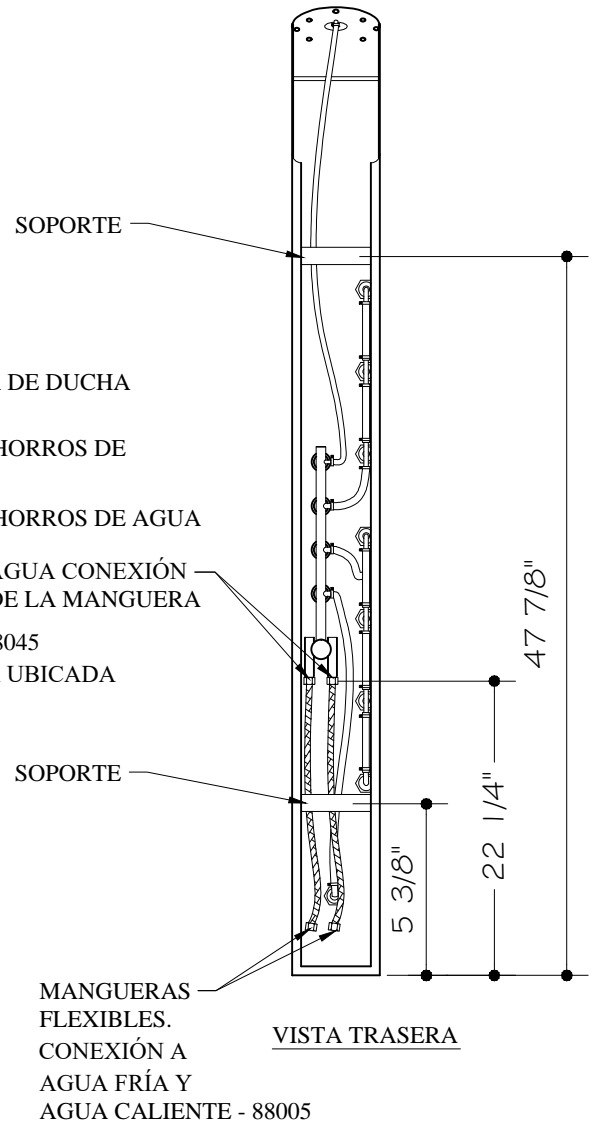
MODELO VG08005

LAS MEDIDAS EN PULGADAS SE REDONDÉAN A LA 1/8" MÁS PRÓXIMA

ACCESORIOS/DATOS TÉCNICOS



VISTA FRONTAL



DATOS TÉCNICOS

PRESIÓN MÍNIMA DE FLUJO 30 PSI
 PRESIÓN MÁXIMA DE FUNCIONAMIENTO 60 PSI
 TEMPERATURA MÁX. DE AGUA CALIENTE 158 °F
 CORTE DE EMERGENCIA 100 °F
 LA PRESIÓN GENERAL DEL AGUA ES DE 2.0 GALONES CABEZA DE DUCHA 2.0 GALONES POR MINUTO A 60 PSI

MODELO VG08005

LAS MEDIDAS EN PULGADAS SE REDONDÉAN A LA 1/8" MÁS PRÓXIMA

NORMAS DE CAUDAL

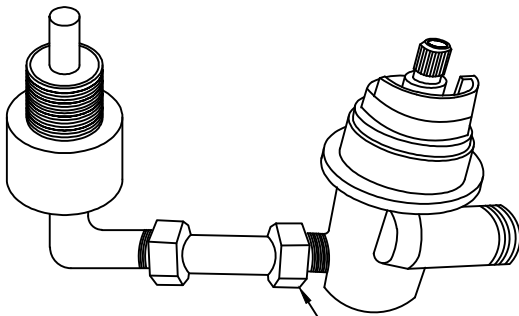
Este producto cumple con los requisitos de la CCA. Es a la discreción del cliente para modificar el producto con el restrictor proporcionado. Si lo hace, se eliminará la posibilidad de que el producto cumple con ciertos requisitos de bajo flujo. Por favor, consulte a su agencia de aplicación de la plomería local o estatal antes de la modificación. Vigo no es responsable de cualquier alteración y los efectos que pueden venir con la alteración de la post venta de productos y altamente informa que el cliente sólo instalar el producto que satisfaga las necesidades de su código de plomería local.

La velocidad de flujo con limitador instalada - 2.0 gpm
 Caudal con limitador dispuesto en el cuadro - 2.5 gpm



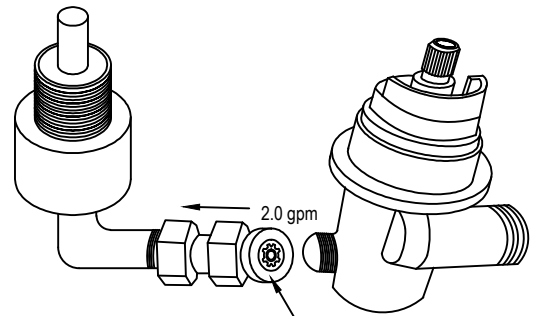
Restrictor

1



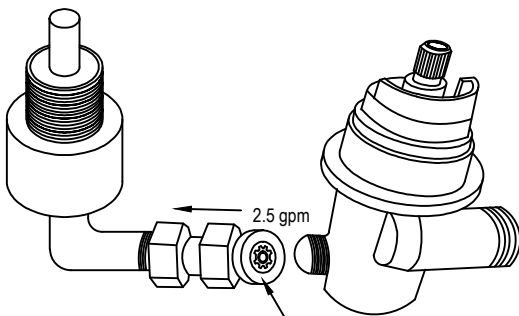
Va a encontrar el restrictor aquí. Giro abrir la tuerca en sentido antihorario para quitar el limitador.

2



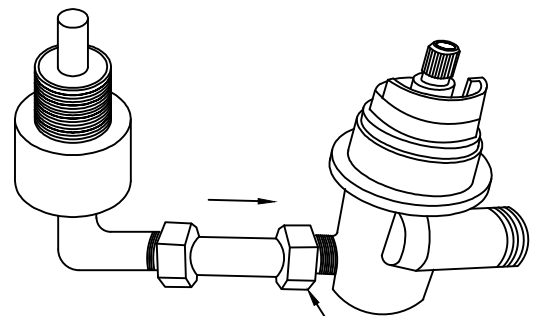
La tuerca se deslizará hacia atrás a lo largo del tubo. Retire el limitador de 2.0 gpm.

3



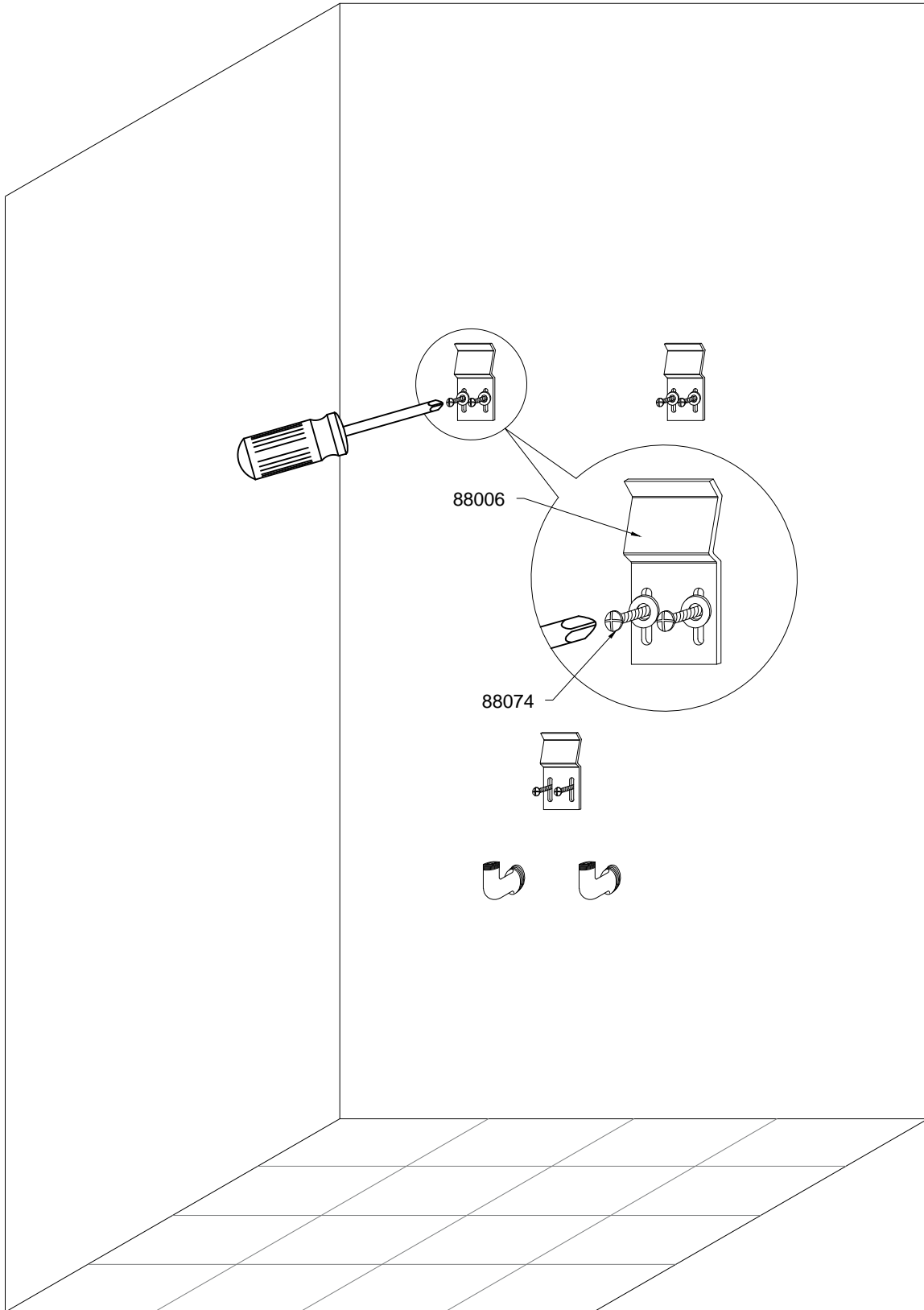
Una vez que se elimina el limitador de 2.0 gpm, sustituirlo por el restrictor compatible 2,5 gpm CCA no (siempre).

4



Deslice la tuerca hacia atrás a lo largo del tubo y vuelva a colocar la tuerca girándola en sentido horario.

INSTALACIÓN EN PARED

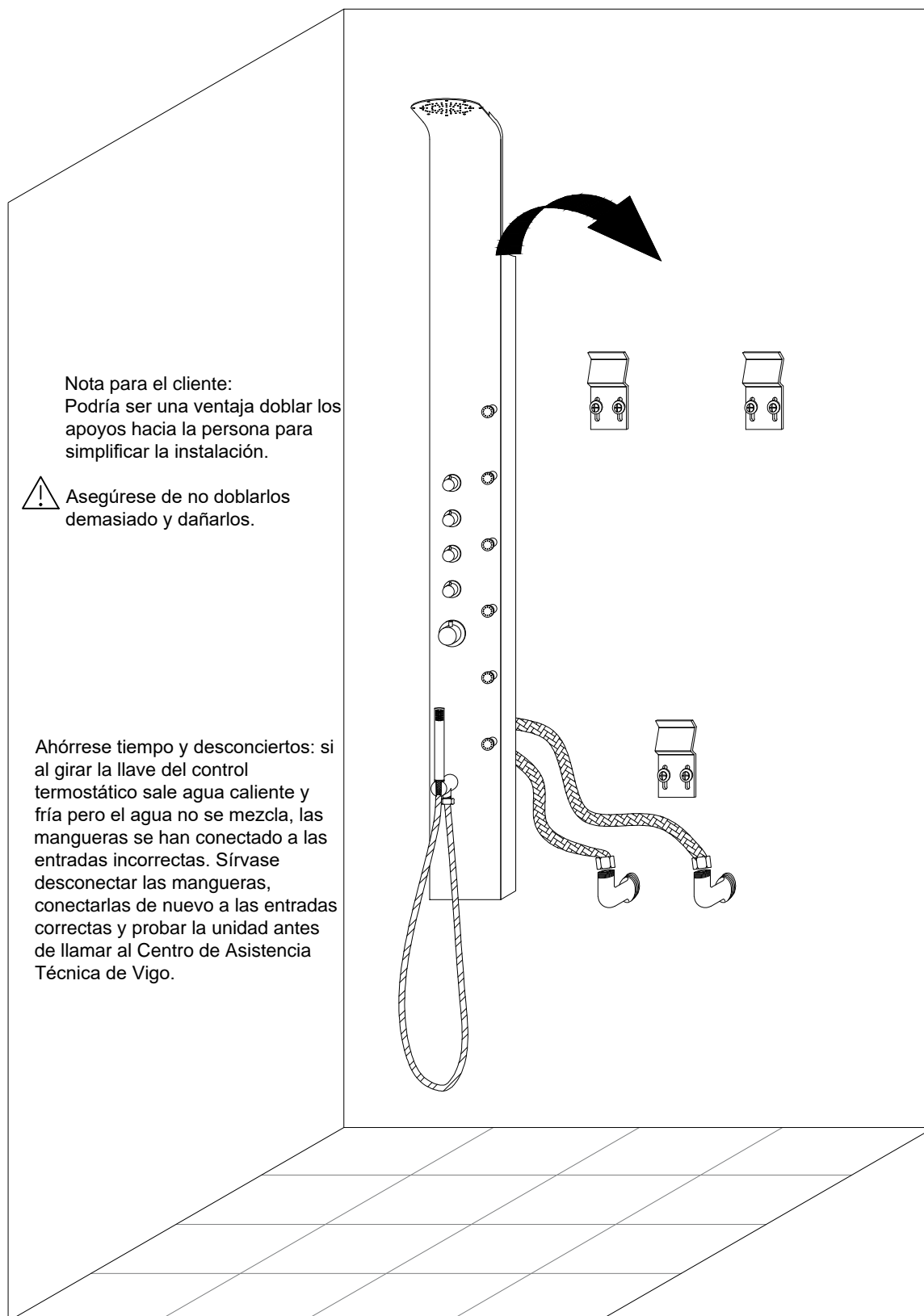


INSTALACIÓN EN PARED

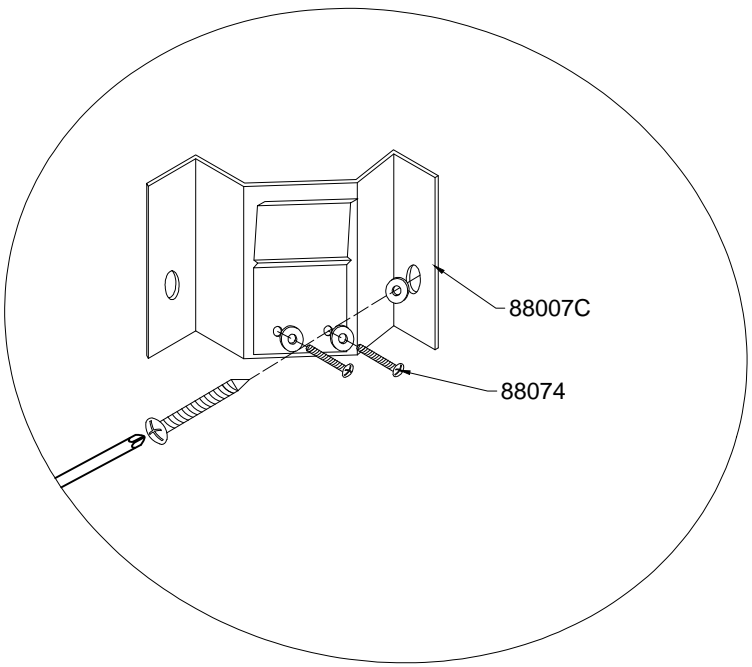
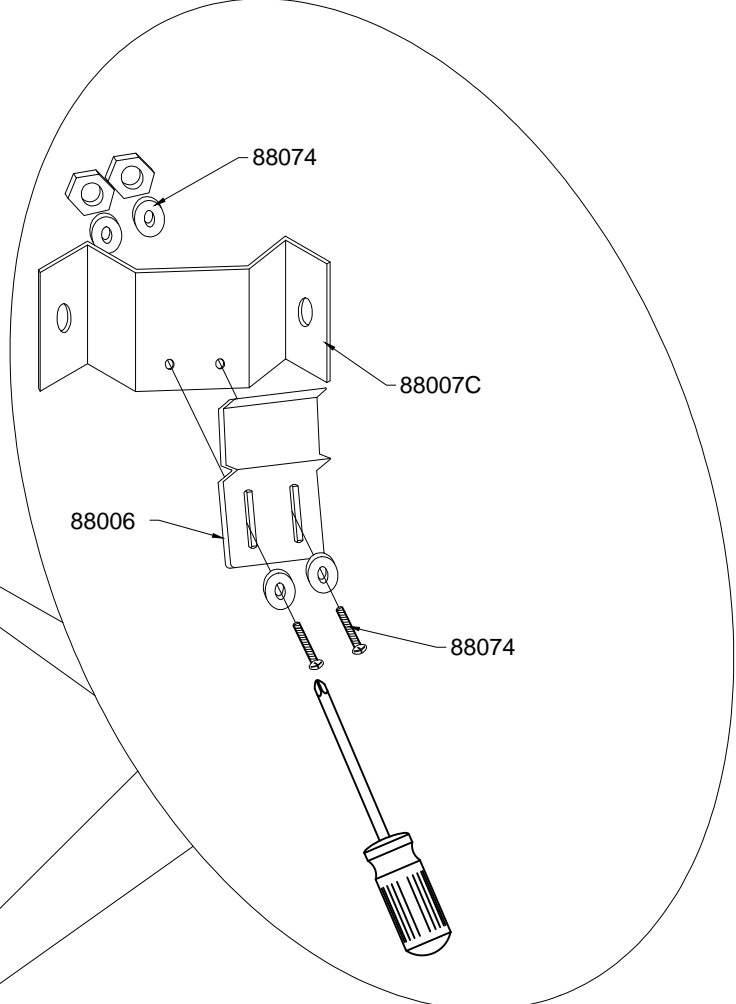
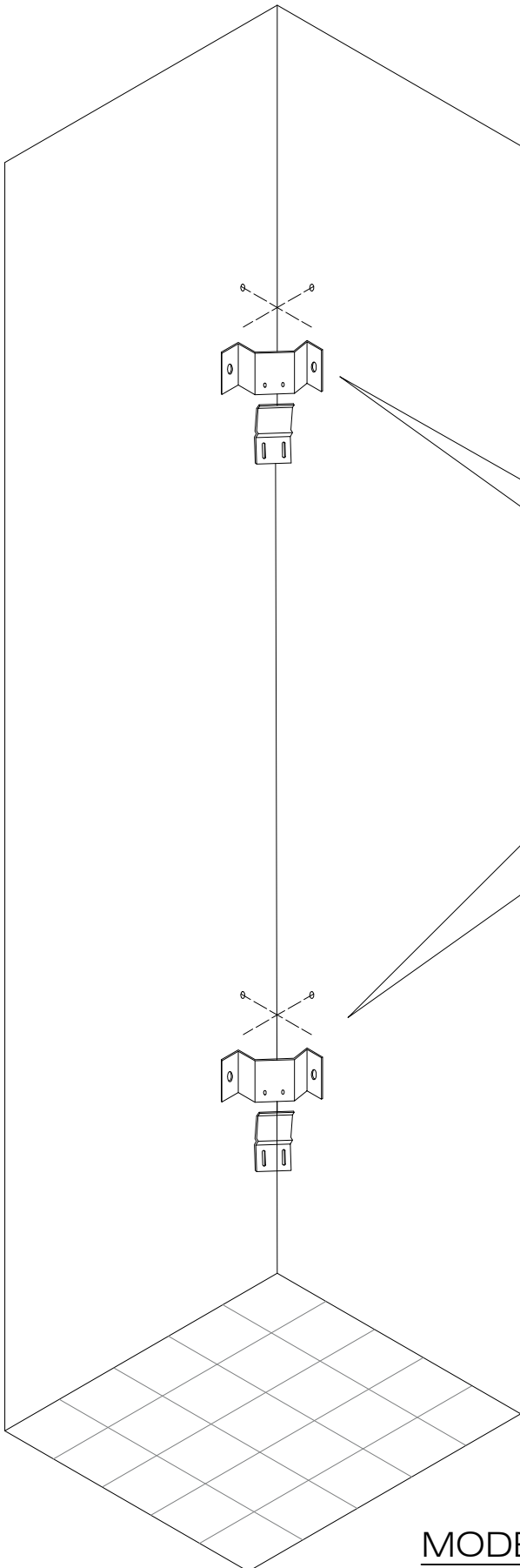
Nota para el cliente:
Podría ser una ventaja doblar los
apoyos hacia la persona para
simplificar la instalación.

⚠ Asegúrese de no doblarlos
demasiado y dañarlos.

Ahórrese tiempo y desconciertos: si
al girar la llave del control
termostático sale agua caliente y
fría pero el agua no se mezcla, las
mangueras se han conectado a las
entradas incorrectas. Sírvase
desconectar las mangueras,
conectarlas de nuevo a las entradas
correctas y probar la unidad antes
de llamar al Centro de Asistencia
Técnica de Vigo.



INSTALACIÓN EN ESQUINA



Recomendación de limpieza para productos Vigo

La grifería moderna para baños, los mezcladores de cocina y las duchas están hechos de materiales muy diferentes para satisfacer las necesidades del mercado en lo que respecta a su diseño y su funcionalidad.

Para evitar daños y reciclaje, es necesario tomar en consideración ciertos aspectos durante la limpieza.

Material de limpieza para mezcladores y duchas

Los ácidos son ingredientes necesarios de los materiales de limpieza para la eliminación de cal. No obstante, sírvase prestar atención a los siguientes puntos cuando limpie mezcladores y duchas:

- Sólo utilice materiales de limpieza que se vendan para este tipo específico de aplicación.
- Nunca utilice materiales de limpieza que contengan ácido clorhídrico, fórmico o acético, dado que pueden provocar daños considerables.
- El ácido fosfórico también está restringido pues puede dañar el acabado.
- Nunca mezcle materiales de limpieza.
- Nunca utilice materiales de limpieza o electrodomésticos que tengan efecto abrasivo, por ejemplo, detergentes en polvo e industriales, trapos abrasivos o paños de microfibra.

Instrucciones de limpieza para mezcladores y duchas

Sírvase cumplir con las instrucciones de sus materiales de limpieza. Además, preste atención a los siguientes puntos:

- Limpie los mezcladores y las duchas según sea necesario y cuando lo requieran.
- La dosificación del limpiador y el tiempo que necesita para surtir efecto deben ajustarse según el producto y no debe dejarse actuar al limpiador más tiempo del necesario.
- La limpieza frecuente puede prevenir la calcificación.
- Cuando utilice limpiador en spray, rocíelo primero en el trapo o en la esponja. No lo rocíe nunca directamente en la grifería de baño dado que podrían filtrarse gotas en las aberturas y separaciones y provocar daños.
- Después de limpiarla, enjuáguela con agua limpia para eliminar los restos de limpiador.

Importante

Los restos de jabones líquidos, champús y espuma para ducha también pueden dañar el producto, por lo tanto enjuáguelos con agua limpia después de usarlos. Si la superficie ya está dañada, el efecto de los materiales de limpieza provocará más daño todavía.

NUESTRA GARANTÍA O CAUCIÓN NO CUBREN DAÑOS PROVOCADOS POR EL USO INADECUADO

Solución de problemas

Problema	Causa	Solución
el nivel de agua es insuficiente	suciedad en la conexión de la manguera flexible	enjuague la manguera
la ducha de mano no tira suficiente agua	acumulación de moho o sobras de jabón	enjuague la ducha de mano o cámbiela
no es posible regular la temperatura (sólo agua caliente o fría en el momento de la instalación)***	el cartucho termostático está averiado PSI o GMP inadecuados	cambie el cartucho termostático instale un regulador de presión
no es posible regular la temperatura (sólo agua fría y agua caliente)	el cartucho termostático está averiado o la manguera está averiada	cambie el cartucho termostático reajuste o cambie las mangueras

*** Vigo no se hace responsable por problemas relacionados con la presión que sean consecuencia del suministro de agua de la casa. El cliente debe leer y entender las instrucciones o consultar con un plomero con certificación antes de la instalación. Si no se cumple con dicho procedimiento, es posible que el producto no tenga una eficiencia óptima.

NÚMERO GRATUITO: (866) 591 - 7792

Dirección de correo electrónico:
techmail@vigoindustries.com

www.vigoindustries.com

VIGO

EN VIGENCIA DESDE EL 1° DE ENERO DE 2010

VIGO ofrece la siguiente garantía limitada por cada uno de sus Paneles para ducha* (el "Producto") y sus componentes. La presente garantía sólo rige para el propietario o usuario final originales y por el uso personal doméstico. En el caso de usos comerciales, rigen otras limitaciones.

VIGO garantiza que los componentes estructurales del Producto carecerá de defectos de mano de obra y materiales en condiciones normales de uso y servicio durante un período que comienza en la fecha de compra inicial por parte del propietario/ usuario final, contratista o constructor a VIGO o a un distribuidor autorizado de VIGO y durante toda la vida del propietario o usuario final originales.

VIGO garantiza que los componentes mecánicos del Producto carecerán de defectos de mano de obra y materiales en condiciones normales de uso y servicio durante un periodo de dos (2) años a partir de la fecha de compra inicial por parte del propietario/usuario final, contratista o constructor a VIGO o a un distribuidor autorizado de VIGO.

Teniendo en cuenta las condiciones de reparación cubierta por la garantía indicadas más abajo, todos los productos que sean objeto de reclamo ante un distribuidor autorizado o ante VIGO por ser defectuosos dentro del período de garantía se repararán o reemplazarán (por un producto de valor equivalente) a discreción de VIGO. La presente garantía rige para el propietario o usuario final originales y no es transferible a propietarios posteriores.

Ni el mayorista, ni el distribuidor autorizado de VIGO ni otras personas tienen autorización para hacer afirmación o declaración algunas u ofrecer garantía alguna que no estén contenidas en la presente garantía. Cualquier afirmación, declaración o garantía no contenidas en la presente no podrán hacerse valer ante VIGO o ante otras personas.

VIGO se reserva el derecho de modificar la presente garantía en cualquier momento y se entiende que dichas modificaciones no alterarán las condiciones de la garantía aplicables en el momento de la venta de los productos en cuestión.

Limitaciones

La presente garantía no regirá en casos de procedimientos incorrectos, rupturas o daños provocados por fallos debidos a instalación inadecuada, falta de cuidado, abuso, mal uso, uso indebido, mantenimiento inadecuado o alteración del Producto así como por corrosión química o natural, accidentes, incendios, inundaciones, fuerza mayor o alguna otra casualidad. Evite usar limpiadores abrasivos, lanas de acero y productos químicos fuertes dado que rayan, dañan u opacan el producto o el acabado y anulan la garantía. El propietario/usuario final del Producto cubierto por la presente garantía es por completo responsable por la instalación adecuada y toda la plomería o el cableado eléctrico necesarios. VIGO no instala ni supervisa la instalación ni subcontrata con dicho fin a contratista alguno. Por ende, no puede considerársela responsable por cualquier defecto, ruptura o daño provocado por la instalación o que resulte de ella, tanto de manera directa como de manera indirecta.

El propietario/usuario final debe brindar acceso a los componentes del Producto tal como se describe en la guía de instalación de manera que VIGO pueda cumplir con la garantía especificada en la presente. En caso de no contar con dicho acceso, todos los gastos para proporcionarlo serán responsabilidad del propietario/usuario final.

La presente garantía no rige para Productos que no se hayan instalado o utilizado según las instrucciones suministradas por VIGO y todas las reglas, normas y legislación aplicables sobre dichas instalaciones.

La presente garantía no tiene vigencia a menos que sean profesionales con licencia y seguro completos quienes instalen el Producto de VIGO. VIGO recomienda con especial énfasis que dichos profesionales licenciados cuenten con experiencia en la instalación de productos de baño y cocina. La instalación de ciertos productos, incluidos, entre otros, productos de vidrio (es decir, puertas de duchas y lavabos de vidrio) por parte de personas sin experiencia puede provocar ruptura del vidrio y, por ende, lesiones personales o la muerte.

VIGO no se hace responsable por lesiones personales o muerte de persona alguna o por daños directos, especiales, accidentales o resultantes, pérdida de tiempo, pérdida de ganancias, inconvenientes, gastos accidentales, honorarios por mano de obra, gastos en materiales o demás costos que sean consecuencia del uso del producto o del equipo o relacionados con la aplicación de la presente garantía o provocados por la extracción o el cambio de algún producto o elemento o pieza cubiertos por la presente garantía.

CON EXCEPCIÓN DE LO ESTIPULADO MÁS ARRIBA, VIGO NO OFRECE GARANTÍA ALGUNA, EXPRESA O IMPLÍCITA, INCLUIDAS GARANTÍAS DE COMERCIALIZACIÓN Y ADECUACIÓN A UN USO PARTICULAR O CUMPLIMIENTO CON CÓDIGO ALGUNO.

En ningún caso puede considerarse a VIGO responsable por monto alguno superior al precio de compra que el propietario/usuario final, contratista o constructor abonaran por el Producto.

Limitaciones comerciales

Además de las condiciones y limitaciones precedentes, el período de garantía de los productos instalados para aplicaciones comerciales o utilizados en locales comerciales es de un (1) año desde la fecha de compra inicial por parte del propietario/usuario final, contratista o constructor a un distribuidor autorizado. VIGO no se hace responsable por pérdidas funcionales o de ganancias bajo ninguna circunstancia. Si el producto se utiliza para su exhibición, el período de garantía comienza cuando el producto se pone en exhibición. La presente garantía otorga al propietario/usuario final derechos legales específicos. El propietario/usuario final también puede tener otros derechos que pueden variar según el estado o la provincia.

Reparación cubierta por la garantía

Para obtener la reparación contemplada por la presente garantía durante el horario comercial regular, comuníquese con el distribuidor o el mayorista que le vendió la unidad o directamente con VIGO. VIGO proporcionará la reparación cubierta por la garantía que se describe más arriba cuando se cumpla con las siguientes condiciones: cuando el fallo sea de la naturaleza o el tipo cubiertos por la garantía; cuando el usuario haya informado a un agente autorizado de VIGO o a un representante del departamento de reparaciones cubiertas por la garantía de VIGO sobre la naturaleza del problema durante el período de garantía; cuando el usuario proporcione pruebas concluyentes (por ejemplo, comprobante de compra o instalación) de lo precedente donde se muestre que el fallo se produjo o se descubrió dentro del período de garantía; cuando se haya permitido a una persona o a una empresa independientes y autorizadas que brinden servicios de reparación inspeccionar el producto durante el horario comercial regular dentro de un tiempo razonable después de que el usuario haya comunicado el problema. La obligación de garantía de VIGO quedará terminada en el momento de la propuesta de cambio o reparación. Si el cliente se rehúsa a aceptar la propuesta, las obligaciones de garantía de VIGO no tendrán más vigencia.

*La aprobación de ciertos modelos está pendiente. VIGO o las agencias de certificación pueden dar por finalizada la certificación sin previo aviso.