

**ARCHITECTURA**  
**Wall Hung Bowl, Euro EL**  
**5170UC01**

**Product Features**

- Vitreous china wallhung bowl
- European elongated shape
- Fully concealed mounting system
- Open bowl rim
- Anti-microbial, stain-resistant glaze

**Flushing System**

- Average water consumption: 1.28gpf
- 1.6 / 0.8 dual-flush capable
- Compatible with Geberit and other in-wall carriers (not included)

**Accessories Included**

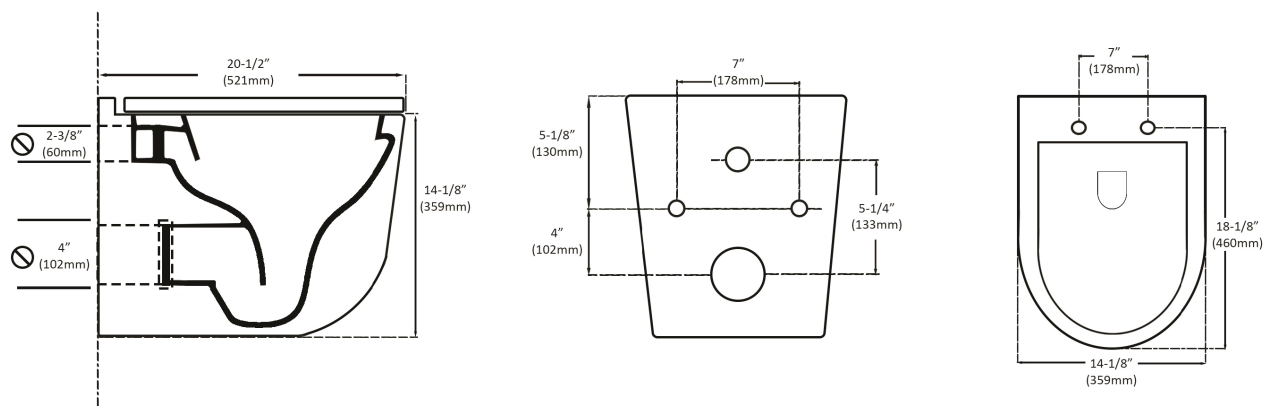
- Soft-closing, quick-release seat and cover
- Mounting hardware

**Quality Assurance**

- Factory flush-tested
- Limited lifetime product warranty



**Dimensional Diagram**



**IMPORTANT:** Dimensions are nominal and may vary within the range of tolerance per NSI Standard A112.19.2. These measurements are subject to change. No responsibility is assumed for use of superseded or voided pages.