

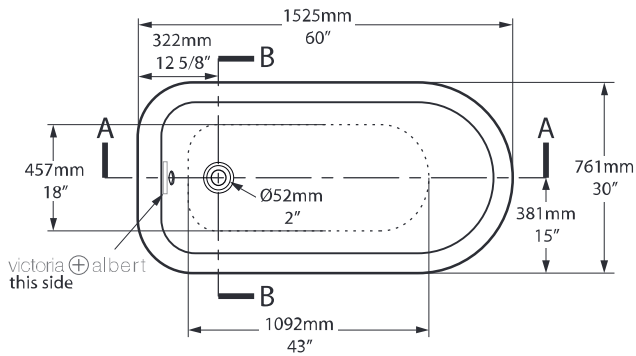
Wessex

WES-N-xx-OF

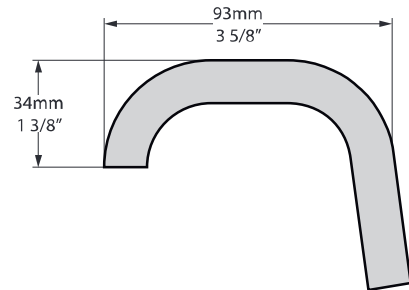
victoria  albert®

volcanic limestone baths

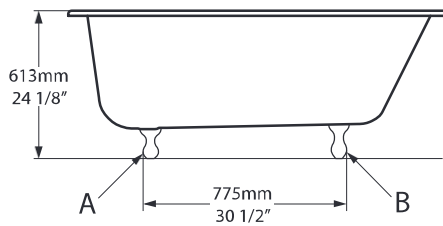
Top view



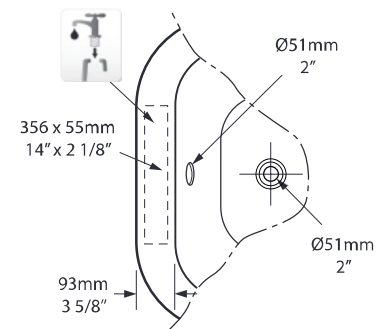
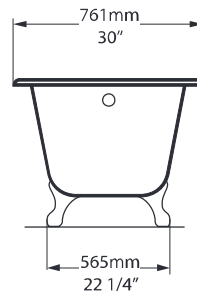
Rim Detail



Side view

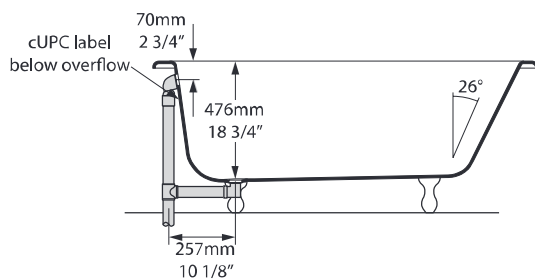


Front view

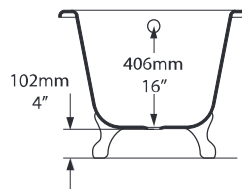


Section AA

Shown with K50 waste kit

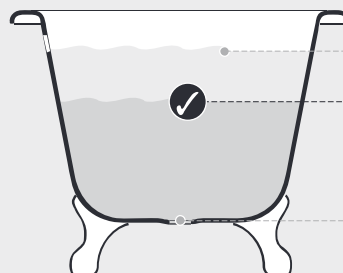
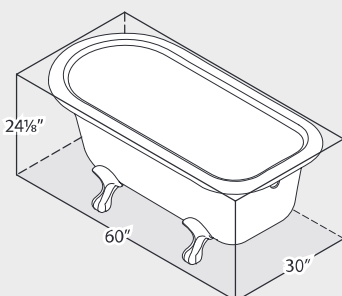


Section BB



Tap holes can be drilled by installer
Les trous de robinetterie peuvent être percés par l'installateur
Pueden ser perforados por el instalador

*All measurements subject to +/-5% tolerance



 590

 54 US gal

 403

 31 3/4 US gal

 139

 0 US gal



.dwg | .dxf | .skp www.vandabaths.com



Massachusetts Code: Approved
cUPC Listing by IAPMO: File No. 6574



VA/1181/09/July18