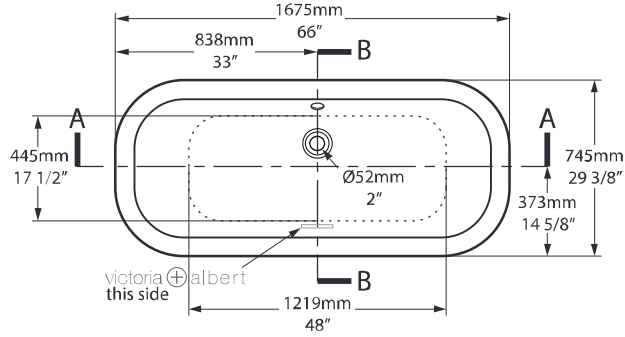


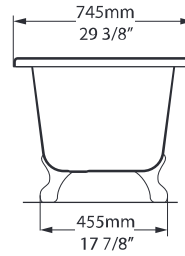
# Richmond

RIC-N-xx-OF

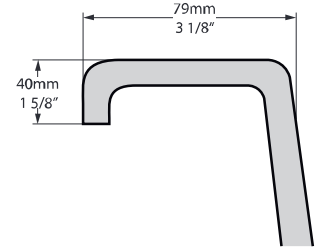
Top view



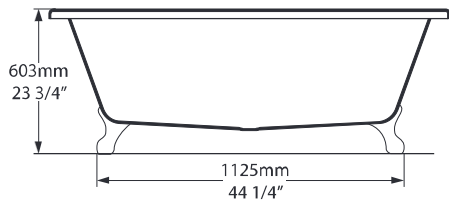
Front view



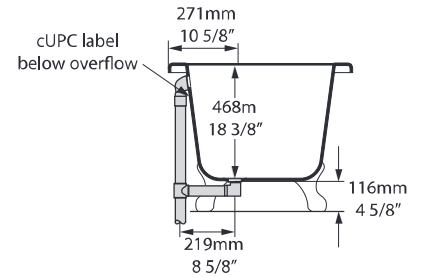
Rim detail



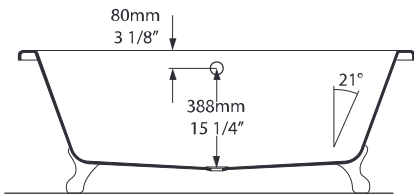
Side view



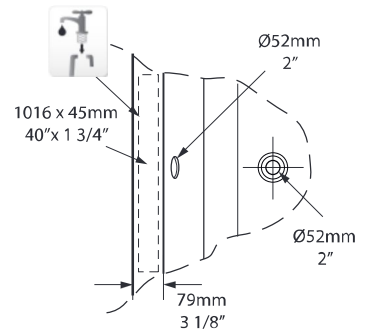
Section BB  
Shown with  
K50 waste kit



Section AA

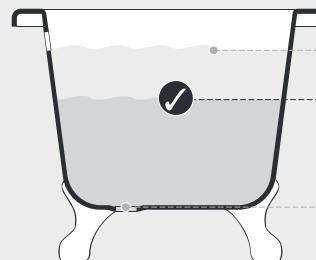
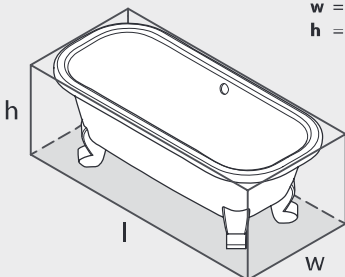


Tap holes can be drilled by installer  
Les trous de robinetterie peuvent être percés par l'installateur  
Pueden ser perforados por el instalador



\*All measurements subject to +/-5% tolerance

**l** = 1675mm / 66"  
**w** = 745mm / 29<sup>3</sup>/<sub>8</sub>"  
**h** = 603mm / 23<sup>3</sup>/<sub>4</sub>"



638 lbs	60 US gal
437 lbs	36 US gal
137 lbs	0 US gal



.dwg | .dxf | .skp [www.vandabaths.com](http://www.vandabaths.com)



Massachusetts Code: Approved  
cUPC listing by IAPMO: File No. 6574



VA/1181/11/Jan19