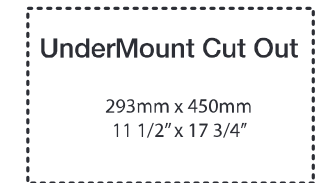
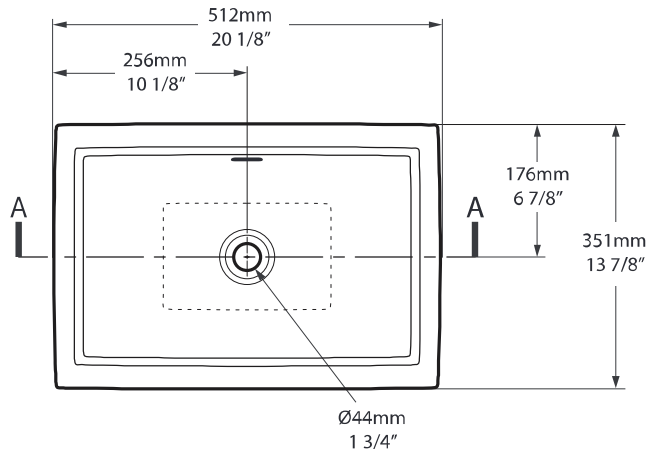


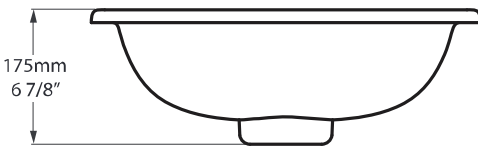
# Pembroke 52

DU-PEM-52-10

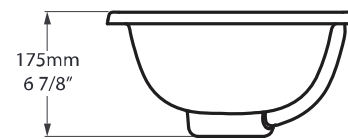
## Top view



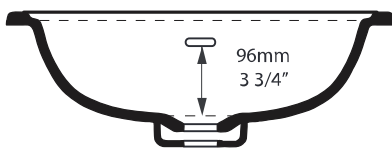
## Front view



## Side view



## Section AA



\*All measurements subject to +/-5% tolerance

**l** = 512mm / 20 1/8"  
**w** = 351mm / 13 7/8"  
**h** = 175mm / 6 7/8"

