



California Faucets®

**Descanso®**

Single Handle Lavatory Wall Faucet Trim Only

**Features**

- Available in 28 finishes including 13 PVD finishes
- All brass construction
- Single handle allows for volume & temperature control at any position
- 1.2gpm (4.5 L/min) max flow rate
- Rough valve (SHV-R) sold separately

- TO-V3001-7
- TO-V3001F-7
- TO-V3001K-7
- TO-V3001T-7
- TO-V3001-9
- TO-V3001F-9
- TO-V3001K-9
- TO-V3001T-9



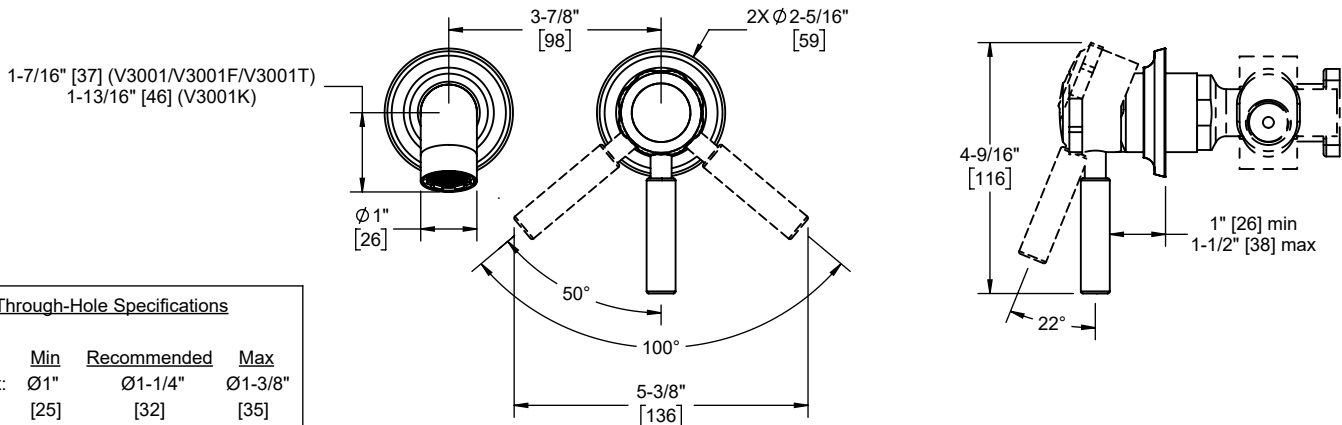
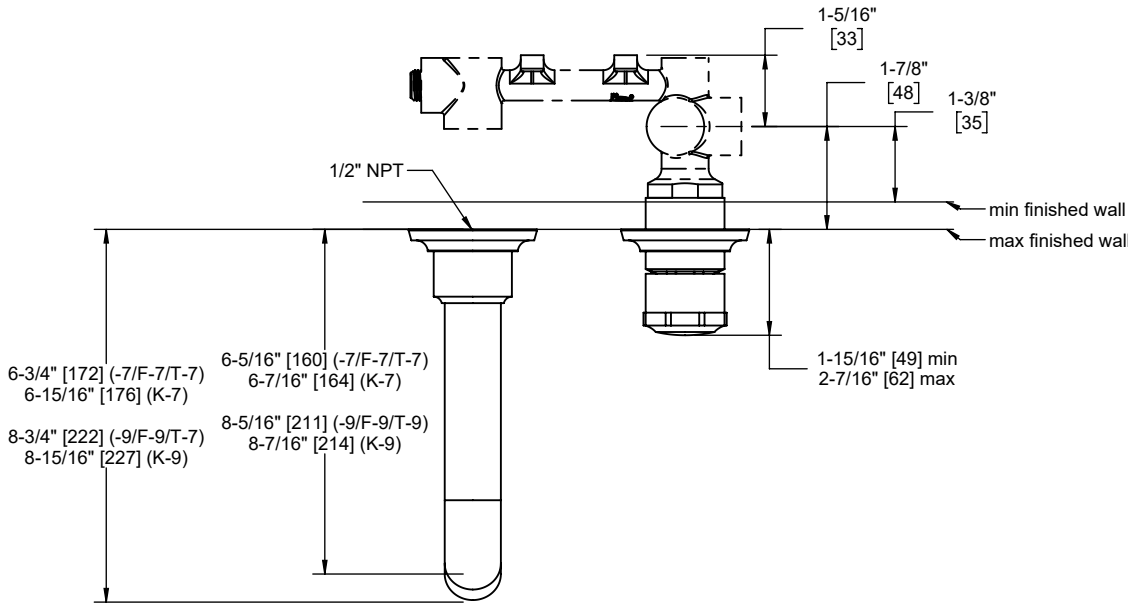
TO-V3001F-7-SN shown



**Codes/Standards Applicable**

Product meets or exceeds the following:

- ASME A112.18.1/CSA B125.1
- NSF 61, NSF 372, CEC & DOE
- EPA WaterSense
- Commonwealth of MA
- ADA compliant



Through-Hole Specifications			
	Min	Recommended	Max
Spout:	Ø1"	Ø1-1/4"	Ø1-3/8"
	[25]	[32]	[35]
Handle:	Ø1-5/8"	Ø1-3/4"	Ø2"
	[41]	[44]	[51]

Specifications subject to change without notice

Dimensions are inches, rounded to 1/16"  
[Dimensions in brackets are mm, rounded to 1mm]