



Features

- 25+ artisan finishes including 12 PVD finishes
- All brass construction
- 100°F safety stop button with manual override
- Engraved brass temperature ring
- Separate volume control required

TO-THFN-45
TO-THFN-45X

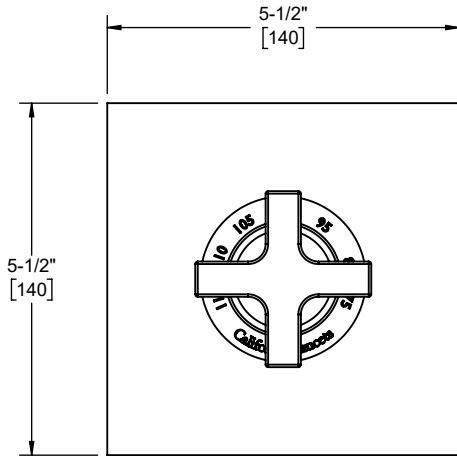
Codes/Standards Applicable

Product meets or exceeds the following:

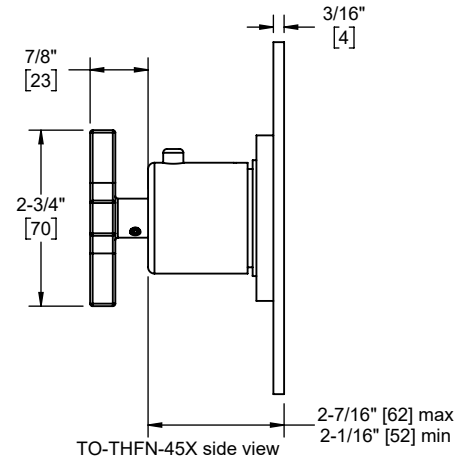
- ASME A112.18.1/CSA B125.1
- ASSE 1016
- ADA compliant (lever handle only)



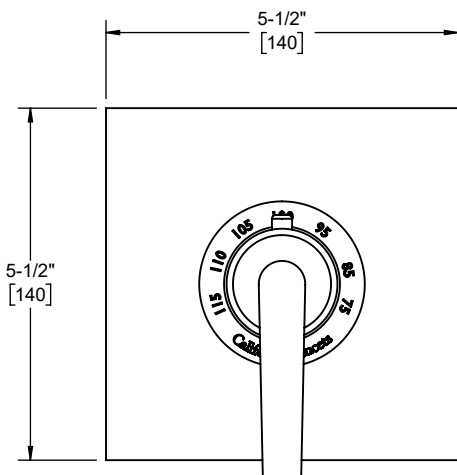
TO-THFN-45X shown



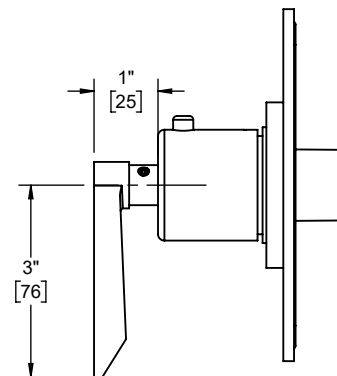
TO-THFN-45X front view



TO-THFN-45X side view



TO-THFN-45 front view



TO-THFN-45 side view