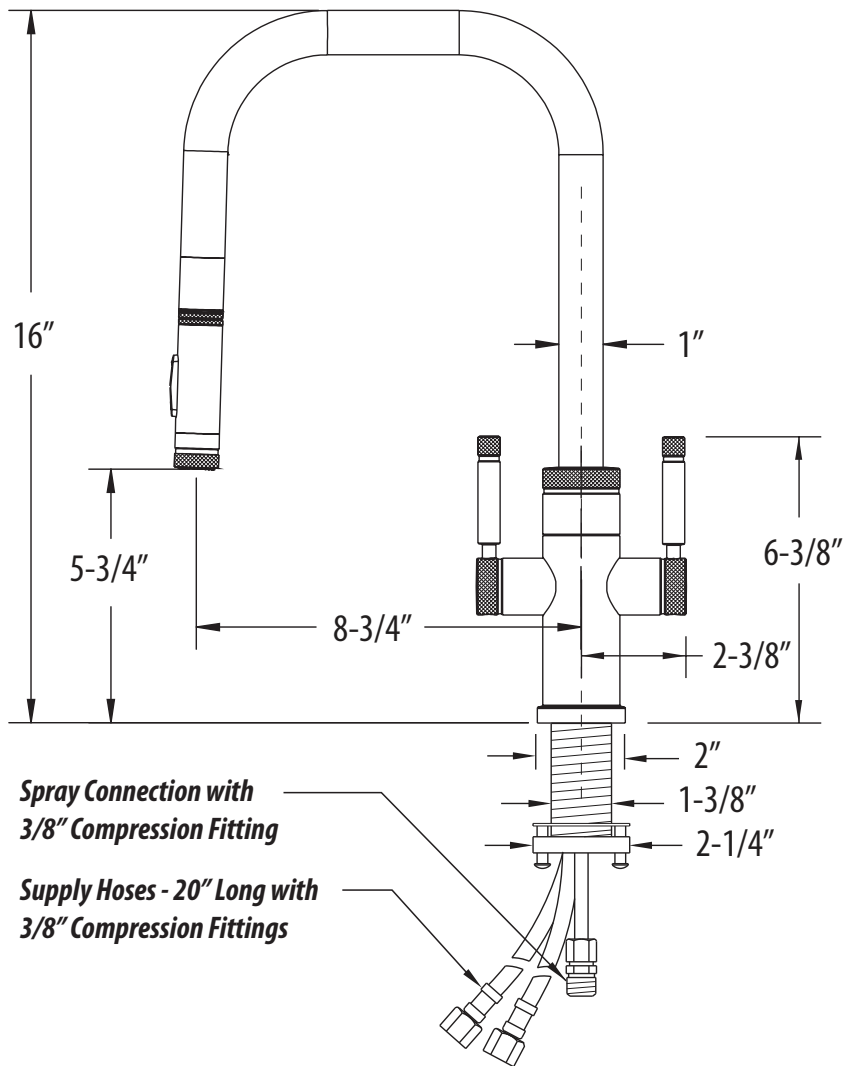
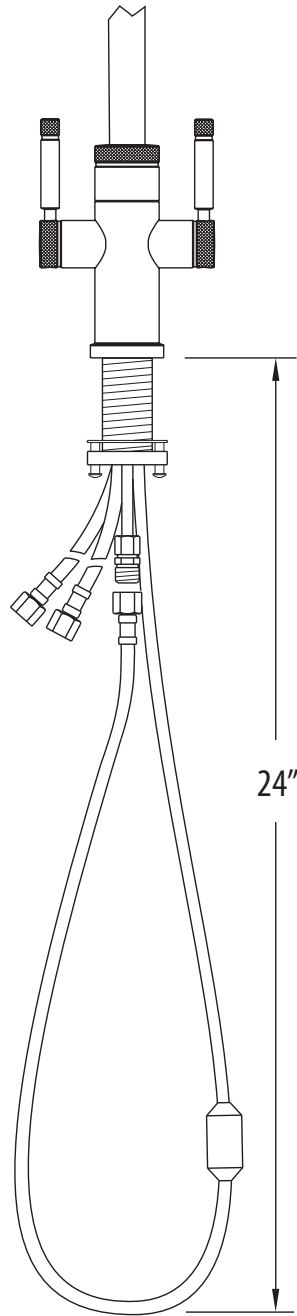




# FULTON INDUSTRIAL TWO HANDLE PLP PULLDOWN FAUCET TOGGLE SPRAYER MODEL # 10212

- Max Counter Thickness 2-3/8"
- Minimum Install Hole Size 1-1/2"



DIMENSIONS MAY VARY AND ARE SUBJECT TO CHANGE. NO RESPONSIBILITY IS ASSUMED FOR USE OF SUPERCEDED OR VOIDED DATA

44180 Raintree Court | Murrieta, CA 92562  
1-888-304-0520 | waterstoneco.com



**ECO BRASS®**  
HIGH PERFORMANCE LEAD FREE BRASS

11/14/2025