

DUOFIT In-Wall Tank Unit, 1.28GPF & 0.9GPF

FEATURES

- Dual-Max® flushing system, low consumption (1.28GPF/4.8LPF & 0.9GPF/3.4LPF)
- Adjustable 15"-19" mounting height
- Support up to 880lbs
- Commercial 2" x 6" or optional residential installation with 2" x 4" wall studs with waste outlet kit
- 1-pc blow molded, insulated polyethylene tank to prevent leaks and sweating
- 2" x 6" Polyethylene outlet included
- Pre-plumbed for WASHLET® connection

MODELS

- WT172M - with copper washlet supply line

Required Push Plates (Sold Separately)

- YT920 #MS - Matte Silver
#WH - White
- YT930 #MS - Matte Silver
#WH - White
- YT970 #SS - Stainless Steel (3Q Launch)
- YT980 #SS - Stainless Steel (3Q Launch)

Compatible Outlets (Sold Separately)

- THU343 2" x 4" outlet HDPE & PVC
- THU335 2" x 6" outlet cast iron
- THU468 WASHLET connection kit

Compatible Toilet Bowl (Sold Separately)

- CT996CEMFX - NEOREST AC Wall-Hung
- CT994CEMFG - NEOREST EW Wall-Hung

PRODUCT SPECIFICATION

This universal height, high-efficiency, dual flushing, in-wall tank system toilet shall be 1.28GPF & 0.9GPF. Requires TOTO toilet model CT447FG. In-Wall tank system shall be TOTO Model WT172M_____.



CODES/STANDARDS

- Meets and exceeds
 - Carrier system: ASME A112.6.2
 - Tank trim: IAPMO PS50, CSA B125.3, ASSE1002
- Certifications: IAPMO(cUPC), *EPA Watersense, State of Massachusetts, City of Los Angeles, and others
- Code compliance: UPC, IPC, NSPC, NPC Canada, and others



*WaterSense certification only applies to WT174M when combined with either model CT996CEFX or CT994CEFG toilet bowls.

WT172M

DUOFIT In-Wall Tank Unit, 1.28GPF & 0.9 GPF

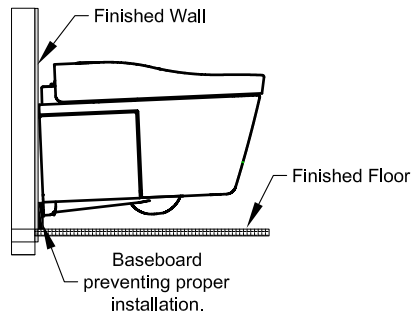
SPECIFICATIONS

- Water Use 1.28GPF & 0.9GPF (4.8LPF & 3.4LPF)
- Flush System Dual-Max
- Min. Water Pressure 8 psi (static)
- Installation Height 15" to 19" (projected range)
- Warranty One Year Limited Warranty
- Material Various
- Shipping Weight
- Shipping Dimensions 47-1/2" x 26" x 6"

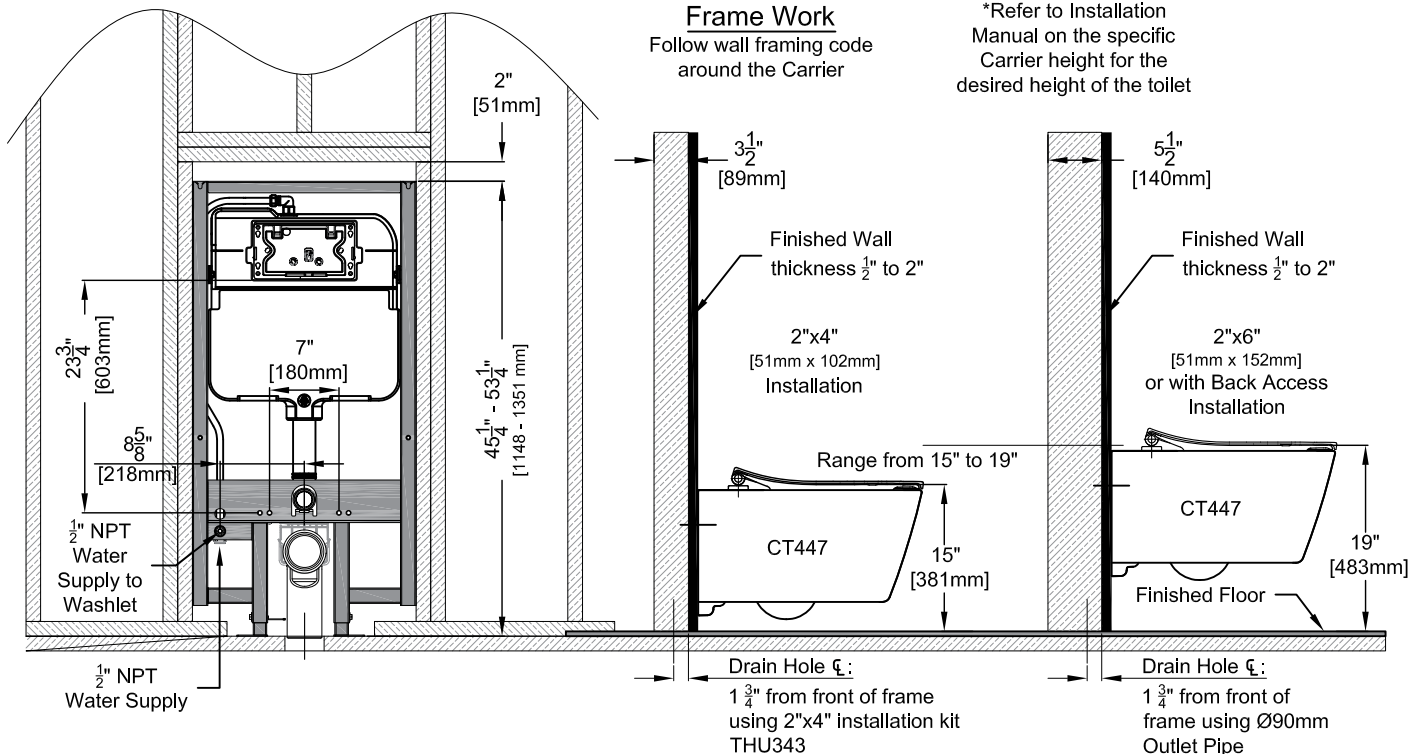
INSTALLATION NOTES

Adequate structural bracing is required.

INCORRECT INSTALLATION



DIMENSIONS



TOTO

These dimensions and specifications are subject to change without notice