

TBG03201U

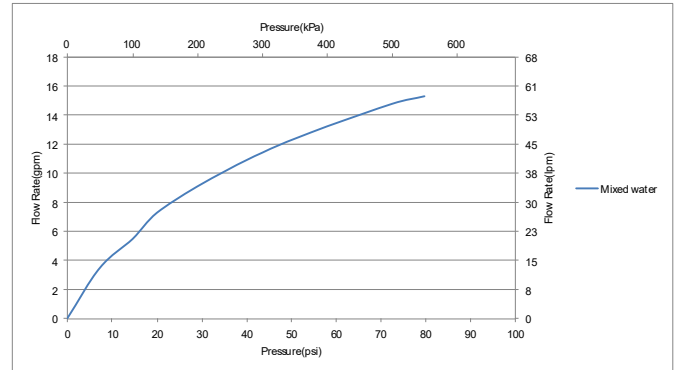
GS Three-Hole Roman Tub Filler Trim

SPECIFICATIONS

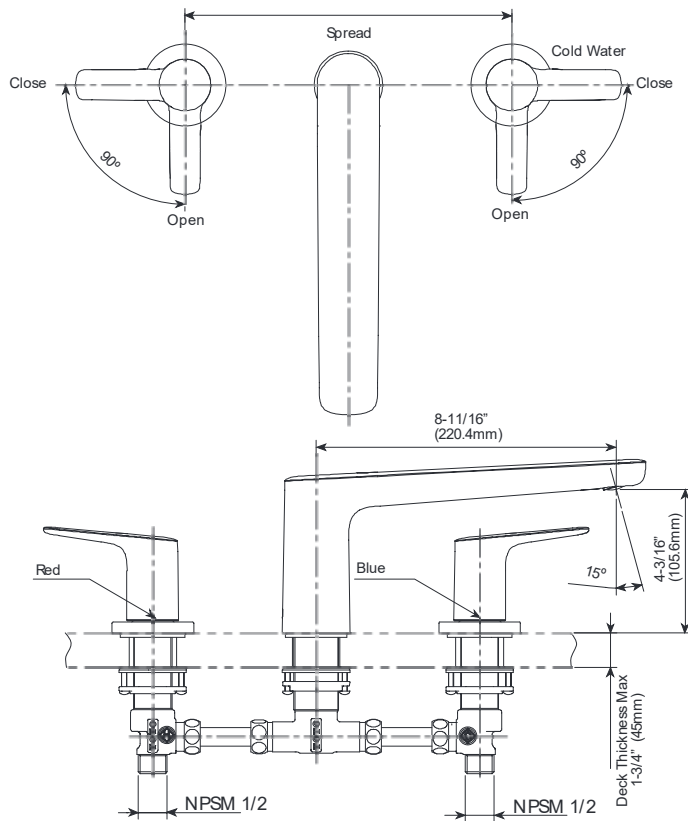
Material	Brass
Warranty	Lifetime Limited Warranty (Residential Use) One Year (Commercial Use)
Shipping Dimensions	21" x 9-3/4" x 3-1/2"
Shipping Weight	7.25 lbs

INSTALLATION NOTES

- Check local codes for requirements on installing an ASSE 1070/ASME A112.1070/CSA B125.70 compliant device in series with the tub filler
- Three-hole roman tub filler rough-in TBN01201U sold separately
- Please refer to the TBN01201U spec sheet for more required installation details



DIMENSIONS



TOTO

These dimensions and specifications are subject to change without notice

Ph: (888) 295-8134 | Fax: (800) 699-4889 | www.totousa.com | © TOTO USA

SS-01286 v.01