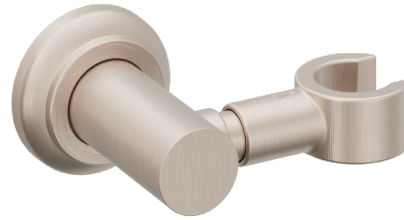




Features

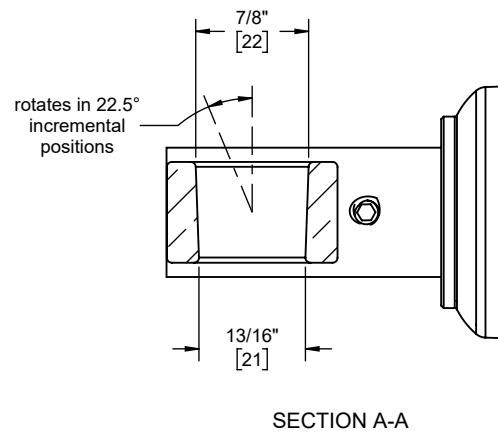
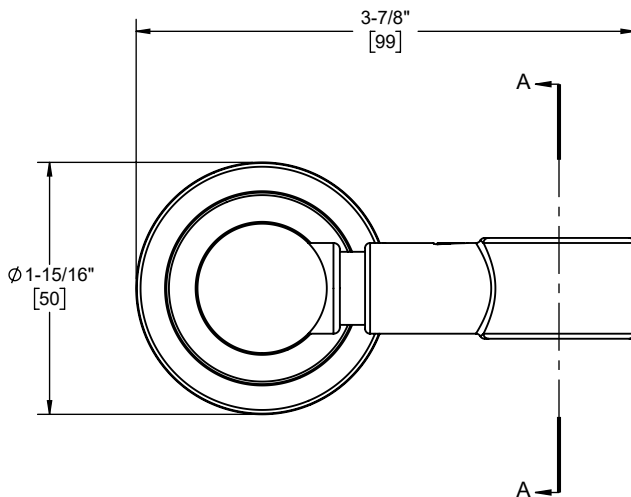
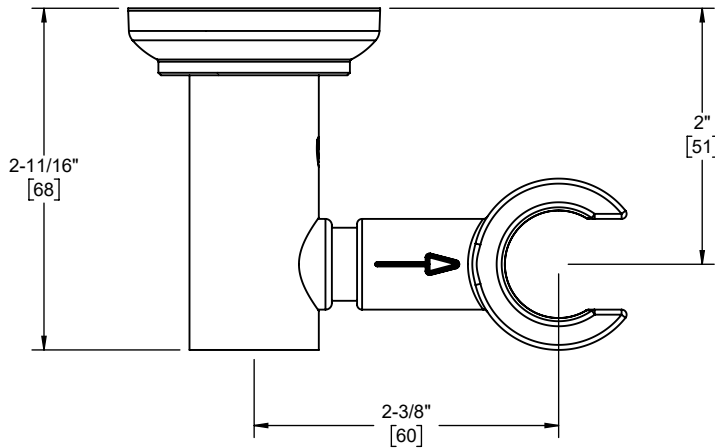
- 25+ artisan finishes including 10+ PVD finishes
- All brass construction
- Positive-Lock swivel holder
- Accepts most conical handshower hoses
- All mounting hardware included



Codes/Standards Applicable

Product meets or exceeds the following:

- None applicable



- (1X) - #8 X 1-3/4" phillips head screw
- (1X) - anchor, plastic #8-10 finned