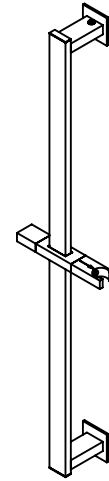




### Features

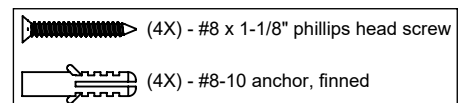
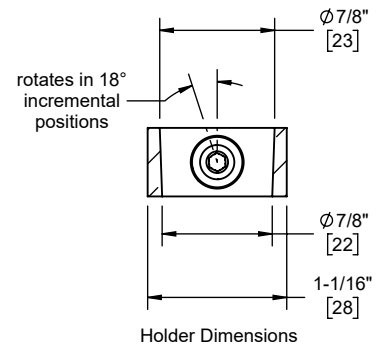
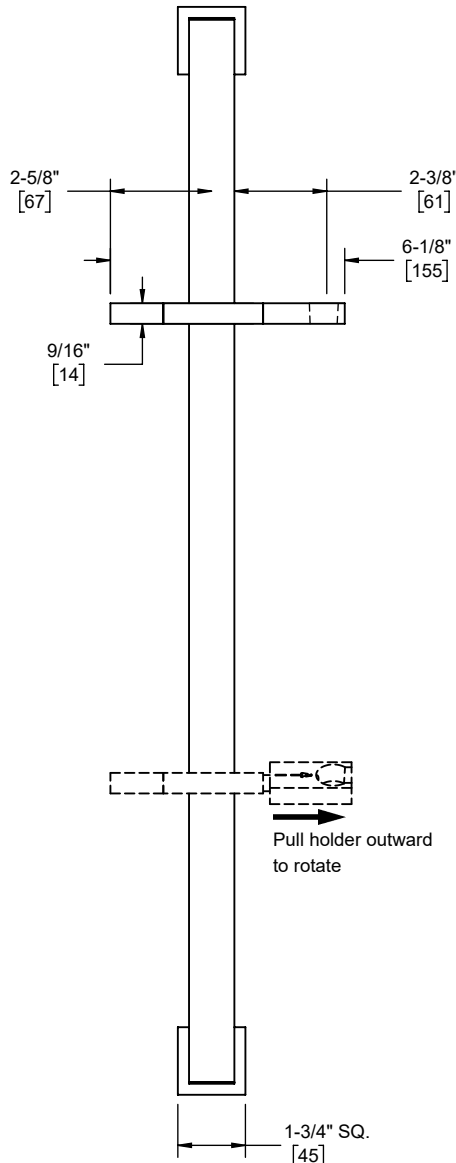
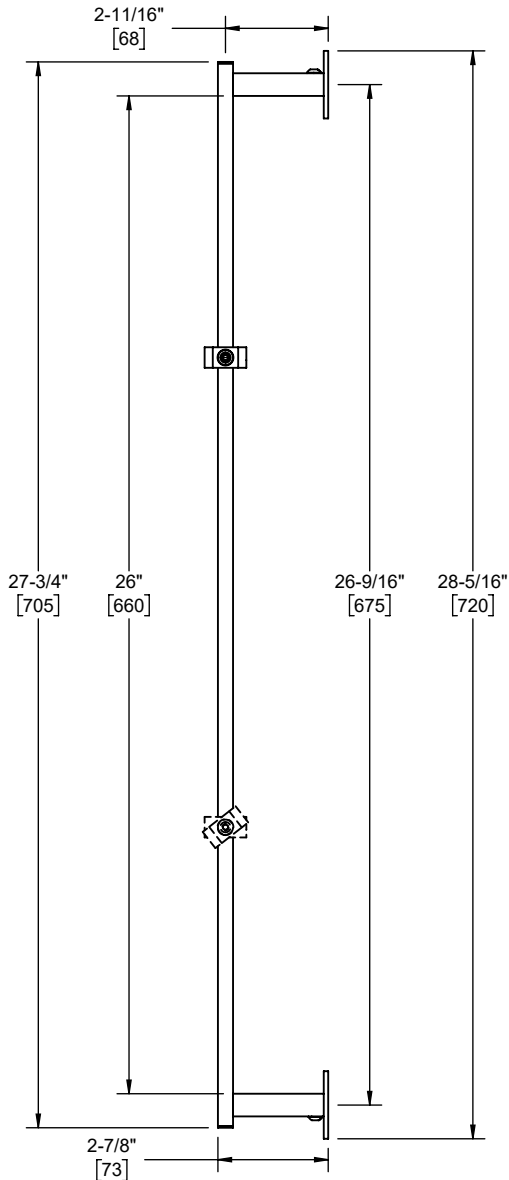
- 25+ artisan finishes including 12 PVD finishes
- All brass construction
- Adjustable position slide with positive-lock swivel holder
- Accepts most conical handshower hoses
- Right of left handed based on installation
- Includes all mounting hardware



### Codes/Standards Applicable

Product meets or exceeds the following:

- ASME A112.18.1/CSA B125.1



Dimensions are inches, rounded to 1/16"  
[Dimensions in brackets are mm, rounded to 1mm]