

ID Infinity Drain



S-LTIF 65 Series

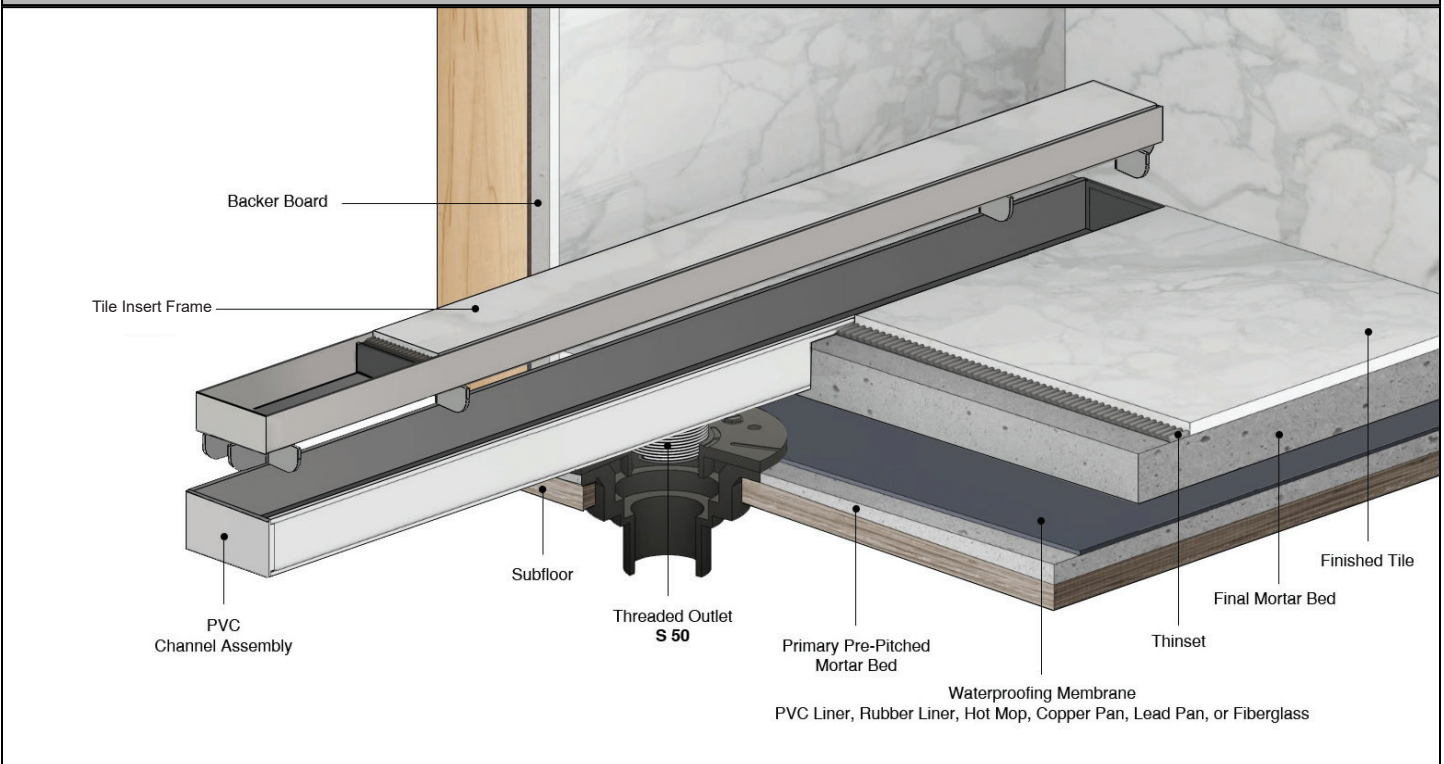
LOW PROFILE
SITE SIZABLE PVC

- S-LT 6536 - 36" Complete Kit
- S-LT 6548 - 48" Complete Kit
- S-LT 6560 - 60" Complete Kit
- S-LT 6572 - 72" Complete Kit
- S-LT 6596 - 96" Complete Kit

Features

- Modify length and outlet location on site
- Indoor or outdoor use
- Low profile 1" Height
- 12 gauge, 304L stainless steel Tile Insert Frame
- Works with 2" clamp down floor with 2" throat/strainer size *(not included)*
- NOT INTENDED for installation across a barrier-free threshold
- Compatible with: PVC Liner, Rubber Liner (Chloraloy®), Hot Mop, Lead Pan, Copper Pan, or Fiberglass
- Flow rate - 9 gpm per outlet
 - Flow rate measured at outlet only. Measurement does not account for water in channel or sheeting on shower floor.
 - Additional outlets can be added and combined into a larger waste line to increase flow rates

Installation



Care & Maintenance

S-LT 65 stainless steel linear drain top grates are made of 304L stainless steel. This material is non-porous, hygienic, rust-free and extremely durable. Bar Keepers Friend® and Soft Scrub® are commonly available products that can be used to protect and clean your Satin Stainless drain cover. For stains that have been left for an excessive amount of time, stronger cleaning agents such as Steel Brite Cleaner may be needed. For Polished Stainless and other finishes we recommend a mild soap and a soft cloth for cleaning. DO NOT use any abrasive cleaners, scrub pads or other household cleaning agents, such as bleach, to sit on the drain cover for a long period of time. Stainless steel does not rust. External factors, such as contamination from other highly ferrous metals, built up road salt, sea salt, or chlorine may have caused "surface" rust which can be removed using Barkeepers Friend®, Soft Scrub®, or Steel Brite Cleaner. Always follow the directions on the bottle. Follow proper maintenance procedures to prevent excessive surface rust. In areas of frequent exposure to salt, chlorine, and other chemical compounds, maintenance of the stainless grates should be performed at least 2-3 times per year.

Infinity Drain
145 Dixon Avenue
Amityville, NY 11701
Phone: 516.767.6786
Fax: 516.740.3066
www.Infinitydrain.com



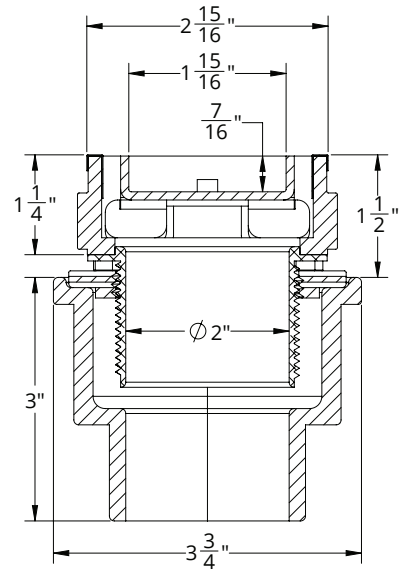
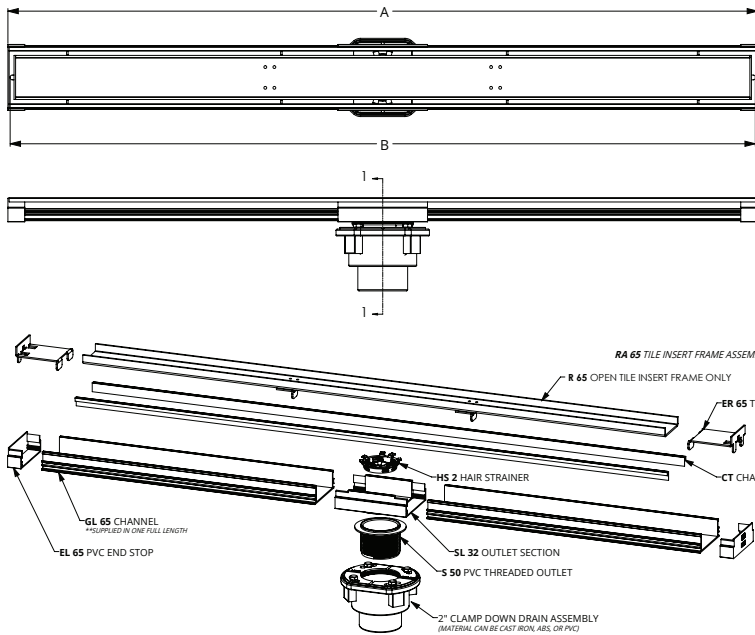
NOTE: Installer must verify all rough-in dimensions prior to installation and consult local and national codes. Conformity and compliance to local and national codes are the responsibility of the installer.

ID Infinity Drain

S-LTIF 6536

S-LTIF 6548

S-LTIF 6560



SECTION 1-1

| Model Number | Complete Kit Contents | A (Maximum Overall Length) | B (Maximum Grate Length) |
|--------------------------------------|--|-------------------------------|-----------------------------|
| <input type="checkbox"/> S-LTIF 6536 | 1 - RA 6536 Tile Insert Frame 1 - GL 6536 PVC Channel 2 - EL 65 PVC Stop End 1 - SL 65 PVC Outlet Section 1 - S 50 PVC Threaded Outlet 1 - HS 2 2" Hair Strainer 2 - CT 36 Channel Trim 1 - AKEY Lift Out Key 1 - CS 6536 Channel Spacer | 36" | 35 7/8" |
| <input type="checkbox"/> S-LTIF 6548 | 1 - RA 6548 Tile Insert Frame 1 - GL 6548 PVC Channel 2 - EL 65 PVC Stop End 1 - SL 65 PVC Outlet Section 1 - S 50 PVC Threaded Outlet 1 - HS 2 2" Hair Strainer 2 - CT 48 Channel Trim 1 - AKEY Lift Out Key 1 - CS 6548 Channel Spacer | 48" | 47 7/8" |
| <input type="checkbox"/> S-LTIF 6560 | 1 - RA 6560 Tile Insert Frame 1 - GL 6560 PVC Channel 2 - EL 65 PVC Stop End 1 - SL 65 PVC Outlet Section 1 - S 50 PVC Threaded Outlet 1 - HS 2 2" Hair Strainer 2 - CT 60 Channel Trim 1 - AKEY Lift Out Key 1 - CS 6560 Channel Spacer | 60" | 59 7/8" |

Finishes

- Satin Stainless
 Polished Stainless
 Matte Black
 Satin Bronze
 Oil Rubbed Bronze

Infinity Drain
 145 Dixon Avenue
 Amityville, NY 11701
 Phone: 516.767.6786
 Fax: 516.740.3066
 www.Infinitydrain.com



NOTE: Installer must verify all rough-in dimensions prior to installation and consult local and national codes. Conformity and compliance to local and national codes are the responsibility of the installer.