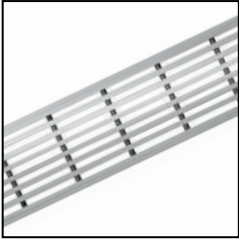


ID Infinity Drain



S-LAG 38 Series

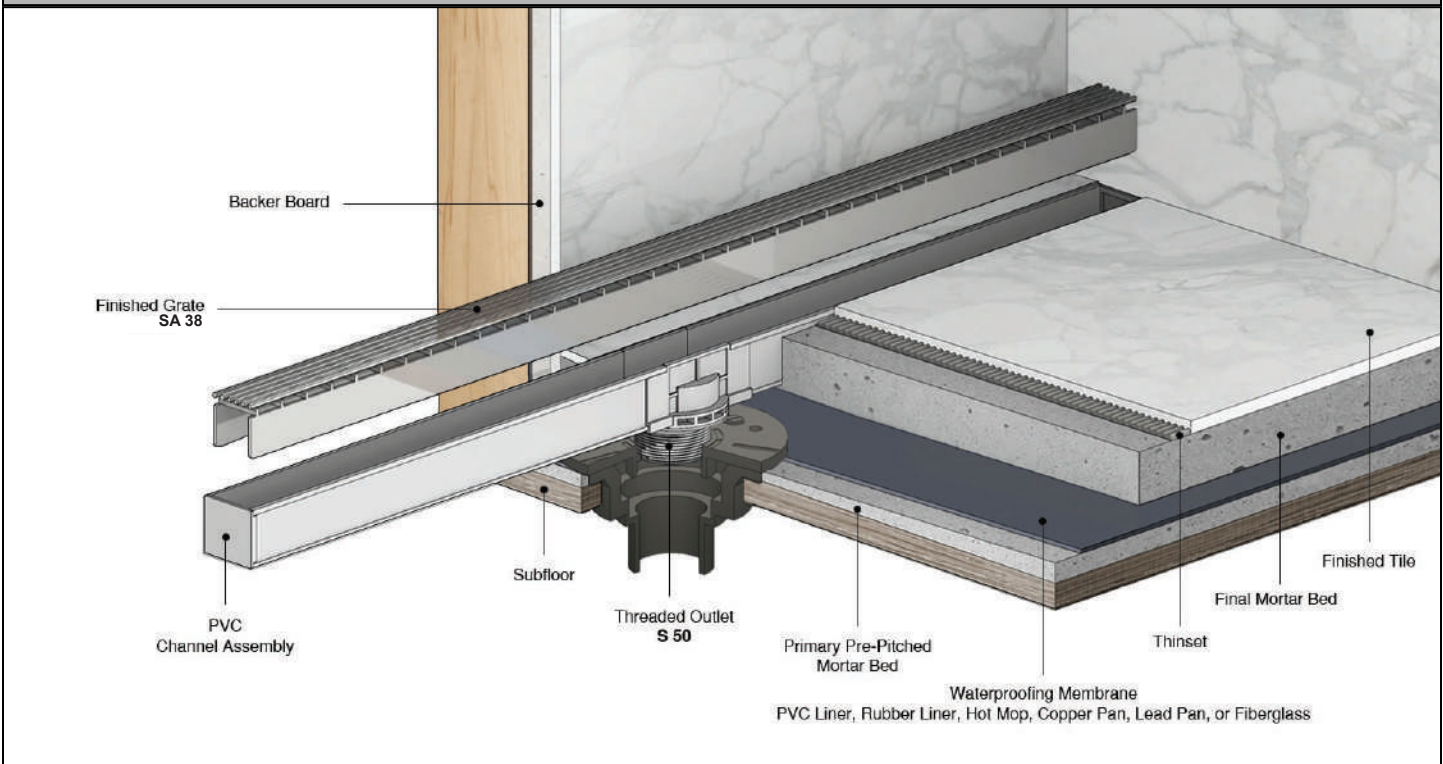
LOW PROFILE
SITE SIZABLE PVC

- S-LAG 3836 - 36" Complete Kit
- S-LAG 3848 - 48" Complete Kit
- S-LAG 3860 - 60" Complete Kit
- S-LAG 3872 - 72" Complete Kit
- S-LAG 3896 - 96" Complete Kit

Features

- Modify length and outlet location on site
- Indoor or outdoor use
- Low profile 1" Height
- 11 gauge, 316L stainless steel Wedge Wire grate
- Works with 2" clamp down floor with 2" throat/strainer size *(not included)*
- **NOT INTENDED** for installation across a barrier-free threshold
- Compatible with: PVC Liner, Rubber Liner (Chloraloy®), Hot Mop, Lead Pan, Copper Pan, or Fiberglass
- Flow rate - 9 gpm per outlet
 - Flow rate measured at outlet only. Measurement does not account for water in channel or sheeting on shower floor.
 - Additional outlets can be added and combined into a larger waste line to increase flow rates

Installation



Care & Maintenance

S-LAG 38 stainless steel linear drain top grates are made of 316L stainless steel. This material is non-porous, hygienic, rust-free and extremely durable. Bar Keepers Friend® and Soft Scrub® are commonly available products that can be used to protect and clean your Satin Stainless drain cover. For stains that have been left for an excessive amount of time, stronger cleaning agents such as Compound 302® may be needed. For Polished Stainless and other finishes we recommend a mild soap and a soft cloth for cleaning. DO NOT use any abrasive cleaners, scrub pads or other household cleaning agents, such as bleach, to sit on the drain cover for a long period of time. Stainless steel does not rust. External factors, such as contamination from other highly ferrous metals, built up road salt, sea salt, or chlorine may have caused "surface" rust which can be removed using Barkeepers Friend®, Soft Scrub®, or Steek Brite Cleaner. Always follow the directions on the bottle. Follow proper maintenance procedures to prevent excessive surface rust. In areas of frequent exposure to salt, chlorine, and other chemical compounds, maintenance of the stainless grates should be performed at least 2-3 times per year.

Infinity Drain
145 Dixon Avenue
Amityville, NY 11701
Phone: 516.767.6786
Fax: 516.740.3066
www.Infinitydrain.com

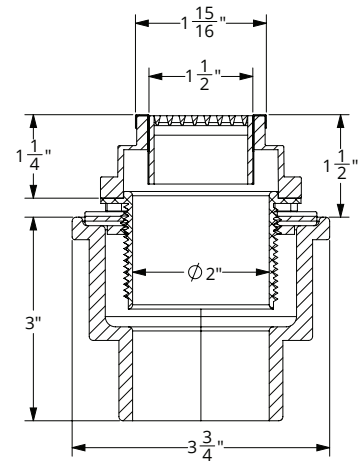
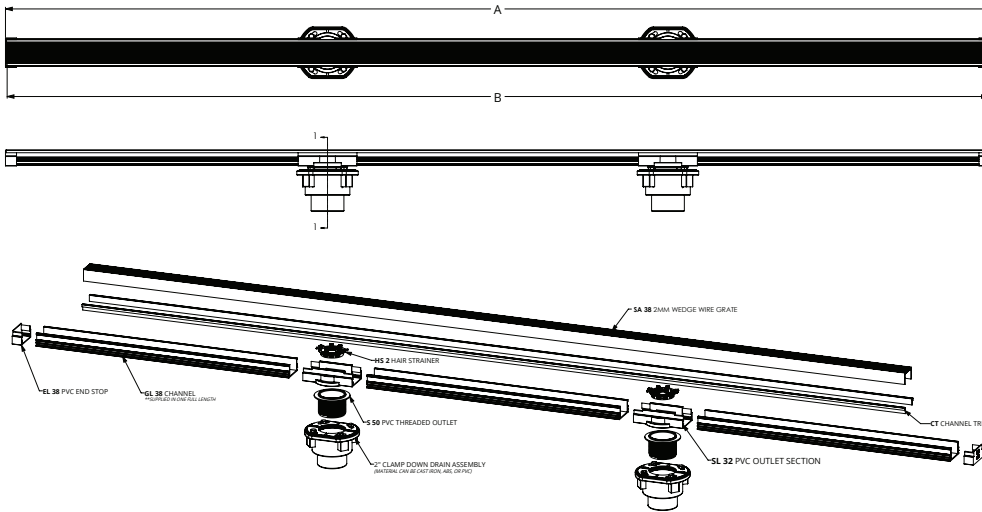


NOTE: Installer must verify all rough-in dimensions prior to installation and consult local and national codes. Conformity and compliance to local and national codes are the responsibility of the installer.

ID Infinity Drain

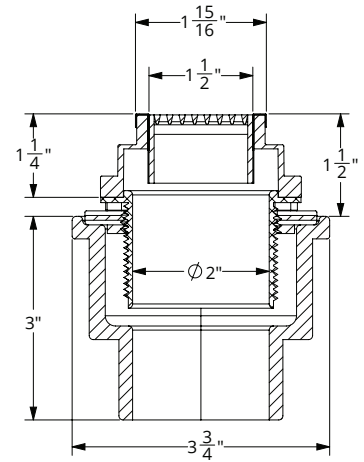
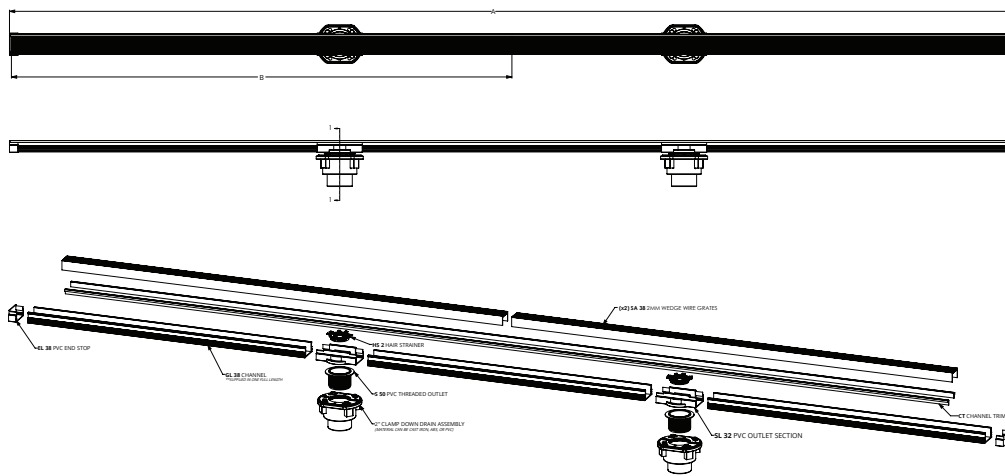
S-LAG 3872

S-LAG 3896



SECTION 1-1

Model Number	Complete Kit Contents	A (Maximum Overall Length)	B (Maximum Grate Length)
<input type="checkbox"/> S-LAG 3872	1 - SA 3872 Stainless Steel Grate 1 - GL 3872 PVC Channel 2 - EL 38 PVC Stop End 2 - SL 32 PVC Outlet Section 2 - S 50 PVC Threaded Outlet	72"	71 7/8"



SECTION 1-1

Model Number	Complete Kit Contents	A (Maximum Overall Length)	B (Maximum Grate Length)
<input type="checkbox"/> S-LAG 3896	2 - SA 3848 Stainless Steel Grate 1 - GL 3896 PVC Channel 2 - EL 38 PVC Stop End 2 - SL 32 PVC Outlet Section 2 - S 50 PVC Threaded Outlet	96"	47 7/8" (x 2)

Finishes

- Satin Stainless
 Polished Stainless
 Matte Black
 Satin Bronze
 Oil Rubbed Bronze

Infinity Drain
 145 Dixon Avenue
 Amityville, NY 11701
 Phone: 516.767.6786
 Fax: 516.740.3066
 www.Infinitydrain.com



NOTE: Installer must verify all rough-in dimensions prior to installation and consult local and national codes. Conformity and compliance to local and national codes are the responsibility of the installer.