

Retro-36

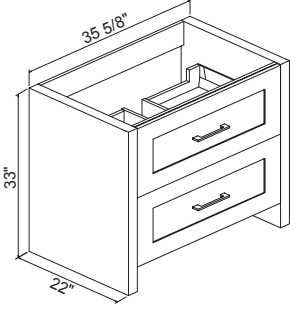
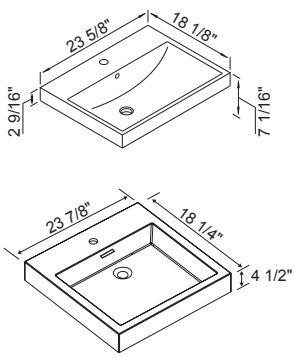
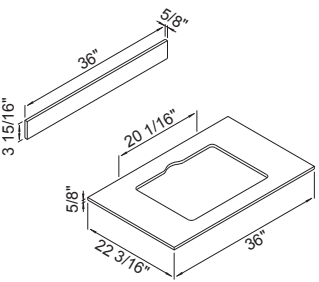
Quartzstone & X-Stone options

Specs	Component	Description	Unit Price (ea.)
Cabinet:			
	Cabinet	<ul style="list-style-type: none"> • 36" Cabinet features 2 fully adjustable drawers with full extension soft closing glides • Top and Bottom drawers with adjustable tempered glass dividers • Cabinet with matching finished interior • Handles: Polished Chrome finish 	
	B700-36-001-WA	Walnut	
	B700-36-001-MW	Matte White	
	B700-36-001-CM	Cashmere	
	Handle Options:		
	H70036-01-266-BN (x2)	<ul style="list-style-type: none"> • Optional handles in Brushed Nickel finish • 2 units needed 	
3/4" Height Quartzstone Countertop options:			
	Quartzstone Countertop	<ul style="list-style-type: none"> • 36" Quartzstone Countertop • 3/4" Height • Includes backsplash 	
	QST2208-36-110-WH	<ul style="list-style-type: none"> • Single faucet hole • White 	
	QST2208-36-110-MO	<ul style="list-style-type: none"> • Single faucet hole • Mocha 	
	QST2208-36-110-WC	<ul style="list-style-type: none"> • Single faucet hole • White Carrara 	
	QST2208-36-130-WH	<ul style="list-style-type: none"> • 8" widespread • White 	
	QST2208-36-130-MO	<ul style="list-style-type: none"> • 8" widespread • Mocha 	
	QST2208-36-130-WC	<ul style="list-style-type: none"> • 8" widespread • White Carrara 	
	CB-2015-WH	<ul style="list-style-type: none"> • 20" Ceramic under mount sink with overflow • with 4 mounting clips • White 	
	3" Height Quartzstone Countertop options:		
	Quartzstone Countertop	<ul style="list-style-type: none"> • 36" Quartzstone Countertop • 3" Height • Includes backsplash 	
	QSV2230-36-110-WH	<ul style="list-style-type: none"> • Single faucet hole • White 	
	QSV2230-36-110-SG	<ul style="list-style-type: none"> • Single faucet hole • Soft Grey 	
	QSV2230-36-110-WC	<ul style="list-style-type: none"> • Single faucet hole • White Carrara 	
	QSV2230-36-130-WH	<ul style="list-style-type: none"> • 8" widespread • White 	
	QSV2230-36-130-SG	<ul style="list-style-type: none"> • 8" widespread • Soft Grey 	
	QSV2230-36-130-WC	<ul style="list-style-type: none"> • 8" widespread • White Carrara 	
	CB-2015-WH	<ul style="list-style-type: none"> • 20" Ceramic under mount sink with overflow • with 4 mounting clips • White 	
	X-Stone Countertop/Basin options:		
	X-Stone Countertop/Basin	<ul style="list-style-type: none"> • 36" Solid Surface Countertop/basin • 2" Height • with overflow • Glossy White 	
	XTU2220-36-100-WH	No faucet hole	
	XTU2220-36-110-WH	Single faucet hole	
	XTU2220-36-130-WH	8" widespread	
X-Stone Countertop:			
	XTA-2208-36-000-GW	<ul style="list-style-type: none"> • 36" Solid Surface Countertop • 3/4" Height • In Glossy White or Matte White • No Holes • Requires cut out by on-site installer • See Washbasin Price Book for full Selection. 	
Suggested Accessories		Complete Selection	Unit Price
		Shown	WA=Walnut MW=Matte White CM=Cashmere
Medicine Cabinet	Pages: 338-341	MP9-36P-030-XX	
Linen Cabinet	Pages: 331-336		
Mirrors	Pages: 343-353		

31" to 36"

Retro-36

Ceramic & Glass options

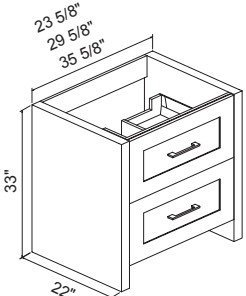
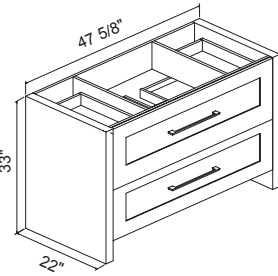
Specs	Component	Description	Unit Price (ea.)
Cabinet:			
	Cabinet	<ul style="list-style-type: none"> • 36" Cabinet features 2 fully adjustable drawers with full extension soft closing glides • Top and Bottom drawers with adjustable tempered glass dividers • Cabinet with matching finished interior • Handles: Polished Chrome finish 	
	B700-36-001-WA	Walnut	
	B700-36-001-MW	Matte White	
	B700-36-001-CM	Cashmere	
	Handle Options:		
H70036-01-266-BN (x2)	<ul style="list-style-type: none"> • Optional handles in Brushed Nickel finish • 2 units needed 		
Ceramic Basin options:			
	Ceramic Basin	<ul style="list-style-type: none"> • 24" Ceramic Basin • With Overflow 	
	CB-7124-110-WH / BI	<ul style="list-style-type: none"> • Single faucet hole • White • Biscuit 	
	CB-7124-130-WH / BI	<ul style="list-style-type: none"> • 8" widespread • White • Biscuit 	
	CB-6124-110-WH	<ul style="list-style-type: none"> • Single faucet hole • White 	
	CB-6124-130-WH	<ul style="list-style-type: none"> • 8" widespread • White 	
	Glass Countertop	<ul style="list-style-type: none"> • 36" Tempered Glass Countertop • Backsplash included 	
	GTV2207-36-100-WW	Winter White	
	GTV2207-36-100-SM	Smoke Grey	
Suggested Accessories	Complete Selection	Shown	Unit Price WA=Walnut MW=Matte White CM=Cashmere
Medicine Cabinet	Pages: 338-341	MP9-36 P-030-XX	
Linen Cabinet	Pages: 331-336		
Mirrors	Pages: 343-353		

31" to 36"

INTRODUCING
Whisper Grey
 FOR
NEW RETRO COLLECTION



Retro 72" Double Bowl in Whisper Grey

SPECS	COMPONENT DESCRIPTION	UNIT PRICE (EA)
	<ul style="list-style-type: none"> • Cabinet features 2 fully adjustable drawers with full extension soft closing glides • Top and Bottom drawers with adjustable tempered glass dividers • Cabinet with matching finished interior • Handles: Polished Chrome finish <p>24" B700-24-001-WG • 24" Cabinet in Whisper Grey</p> <p>HANDLE OPTIONS:</p> <p>H70024/60-01-170-BN (x2) • Optional handles in Brushed Nickel finish • 2 units needed</p> <p>30" B700-30-001-WG • 30" Cabinet in Whisper Grey</p> <p>HANDLE OPTIONS:</p> <p>H70030/72-01-202-BN (x2) • Optional handles in Brushed Nickel finish • 2 units needed</p> <p>36" B700-36-001-WG • 36" Cabinet in Whisper Grey</p> <p>HANDLE OPTIONS:</p> <p>H70036-01-266-BN (x2) • Optional handles in Brushed Nickel finish</p> <p>NOTE: For complete countertop/washbasin selection see Price Book, page 86 - 89 for 24", page 140 - 143 for 30", and page 186 - 189 for 36"</p>	
	<ul style="list-style-type: none"> • 48" Cabinet features 2 fully adjustable drawers with full extension soft closing glides • Top drawer includes 2 interior pullout drawers • Top and Bottom drawers with adjustable tempered glass dividers • Cabinet with matching finished interior • Handles: Polished Chrome finish <p>48" B700-48C-001-WG • 48" Cabinet in Whisper Grey</p> <p>HANDLE OPTIONS:</p> <p>H70048-01-490-BN (x2) • Optional handles in Brushed Nickel finish • 2 units needed</p> <p>NOTE: For complete countertop/washbasin selection see Price Book, page 246 - 249</p>	

RETRO ^{NEW} COLLECTION in *Whisper Grey*

SPECS	COMPONENT DESCRIPTION	UNIT PRICE (EA)
<p>60"</p>	<ul style="list-style-type: none"> • 60" Cabinet features 5 fully adjustable drawers with full extension soft closing glides • Tall center drawer includes 2 interior pull-out drawers (total of 7 drawers) • Top and Bottom drawers with adjustable tempered glass dividers • Cabinet with matching finished interior • Handles: Polished Chrome finish 	
	<p>B700-60D-001-WG • 60" Cabinet in Whisper Grey</p>	
	<p>HANDLE OPTIONS:</p> <p>H70024/60-01-170-BN (x4) • Optional drawer handles in Brushed Nickel finish</p> <p>H70060/72-01-330-BN (x1) • Optional center drawer Handle in Brushed Nickel finish</p>	
	<p>NOTE: For complete countertop/washbasin selection see Price Book page 284 - 287</p>	
<p>72"</p>	<ul style="list-style-type: none"> • 72" Cabinet features 5 fully adjustable drawers with full extension soft closing glides • Tall center drawer includes 2 interior pull-out drawers (total of 7 drawers) • Top and Bottom drawers with adjustable tempered glass dividers • Cabinet with matching finished interior • Handles: Polished Chrome finish 	
	<p>B700-72D-001-WG • 72" Cabinet in Whisper Grey</p>	
	<p>HANDLE OPTIONS:</p> <p>H70030/72-01-202-BN (x4) • Optional drawer handles in Brushed Nickel finish</p> <p>H70060/72-01-330-BN (x1) • Optional center drawer Handle in Brushed Nickel finish</p>	
	<p>NOTE: For complete countertop/washbasin selection see Price Book page 320 - 323</p>	

SUGGESTED ACCESSORIES

MEDICINE CABINETS - 30" HEIGHT

ITEMS	TOTAL SIZE	FOR COMPLETE SPEC/COMPONENTS SEE	UNIT PRICE
MP9-12P-030-WG	12" x 30" x 5-1/2"	PAGES: 338 - 339	
MP9-24P-030-WG	24" x 30" x 5-1/2"	PAGES: 338 - 339	
MP9-30P-030-WG	30" x 30" x 5-1/2"	PAGES: 338 - 339	
MP9-36P-030-WG	36" x 30" x 5-1/2"	PAGES: 338 - 339	

FRAMELESS WOOD MIRRORS

ITEMS	TOTAL SIZE	FOR COMPLETE SPEC SEE	UNIT PRICE
RL-PD2030-003-WG	20" x 30"	PAGE: 350	
RL-PD2425-003-WG	24" x 25"	PAGE: 350	
RL-PD2430-003-WG	24" x 30"	PAGE: 350	
RL-PD2436-003-WG	24" x 36"	PAGE: 350	
RL-PD2030-003-WG	30" x 20"	PAGE: 350	
RL-PD2430-003-WG	30" x 24"	PAGE: 350	
RL-PD2436-003-WG	36" x 24"	PAGE: 350	

LINEN CABINET

ITEMS	TOTAL SIZE	FOR COMPLETE SPEC SEE	UNIT PRICE
LCAS-161560-0002-WG	16" x 15" x 61"	PAGE: 333	
LCZS-121260-0002-WG	12" x 9" x 59"	PAGE: 335	