

73" BRITTA RESIN SLIPPER FREESTANDING TUB

Cat. No.
RTSN73



L: 72-5/8"
W: 30-3/4"
H: 23-7/8" and 34-3/8" (to top of tub)

Water depth: 19-1/4" to top of tub
Water depth: 13-7/8" to overflow



Overflow Connection

The following is recommended for
RTSN73 tubs:

- Faucets: part #7901 or 7913

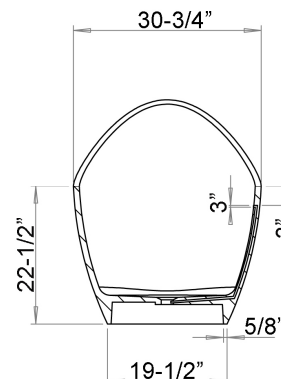
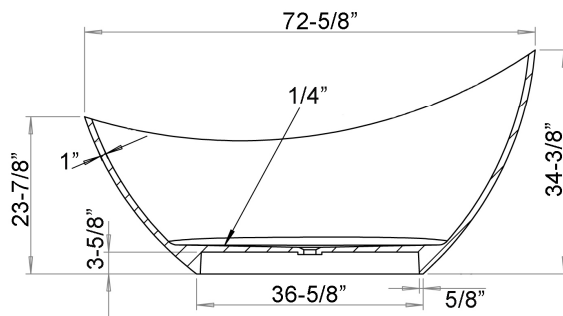
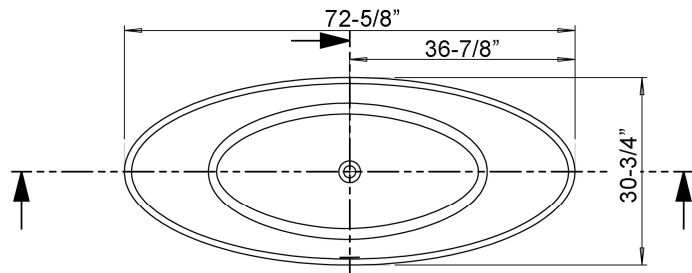
Gallon Capacity :	66
Shipping Weight:	424 lbs.
Empty Weight:	324 lbs.
Filled Weight:	875 lbs.

Features:

- ▶ Poly-resin blend is the same color throughout
- ▶ Tub rim is 1" wide
- ▶ Available in gloss or matte finish
- ▶ No faucet holes
- ▶ Built-In overflow slot
- ▶ Includes white pop-up drain
- ▶ Tub is thoroughly inspected before shipment
- ▶ IAPMO Certified

Tub Colors:

WH Matte White
WH-GL Gloss White



Dimensions of fixture are nominal and specifications subject to change without notice.

09/19/2018

P 847•244•1234

www.barclayproducts.com