

59" AYANNA SLIPPER RESIN FREESTANDING TUB

Cat. No.
RTSN59



L: 59-3/8"
W: 25-1/2"
H: 24-3/8" to 28-3/4" (to top of tub)

Water depth: 18-1/4" to top of tub
Water depth: 15-7/8" to overflow



Overflow Connection

The following is recommended for
RTSN59-WH & RTSN59-WHGL tubs:

•Faucets: part #7901 or 7913

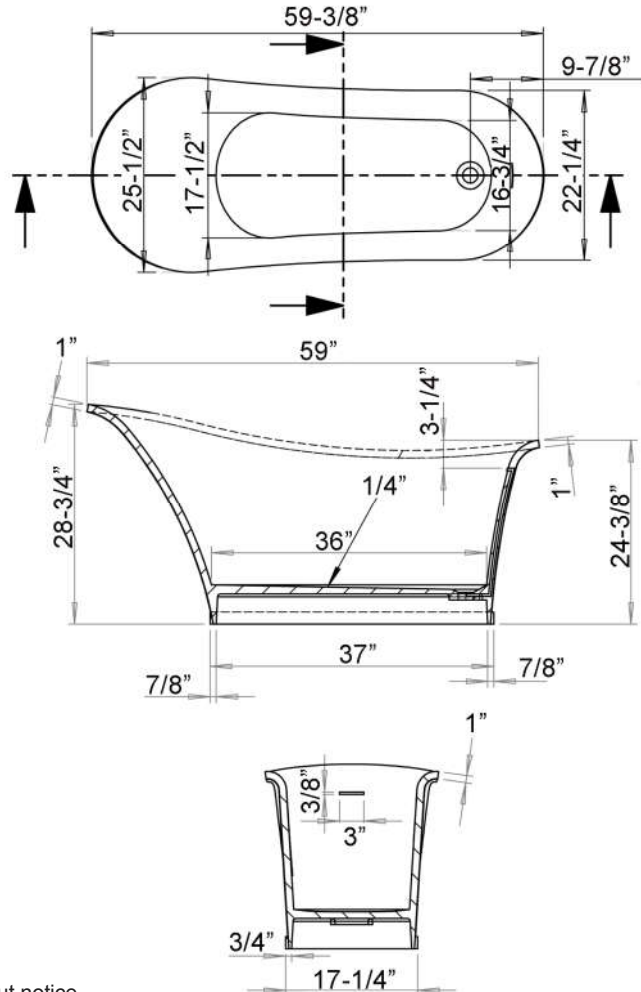
Gallon Capacity : 44
Shipping Weight: 331 lbs.
Empty Weight: 231 lbs.
Filled Weight: 599 lbs..

Features:

- ▶ Poly-resin blend is the same color throughout
- ▶ A ornamental on both side of tub
- ▶ Available in gloss or matte finish
- ▶ 1" Rim
- ▶ No faucet holes
- ▶ Built-in Adjusters
- ▶ Built-in overflow slot
- ▶ Includes white pop-up drain
- ▶ Tub is thoroughly inspected before shipment
- ▶ IAPMO Certified

Tub Colors:

WH White
WH-GL Gloss



Dimensions of fixture are nominal and specifications subject to change without notice.

09/19/2018

P 847•244•1234 | www.barclayproducts.com