

70" CARLYLE OVAL RESIN FREESTANDING TUB

Cat. No.
RTOVN70-OF



L: 70-5/8"
W: 37-1/8"
H: 20-1/2"

Water depth: 16-1/2" to top of tub
Water depth: 14" to overflow



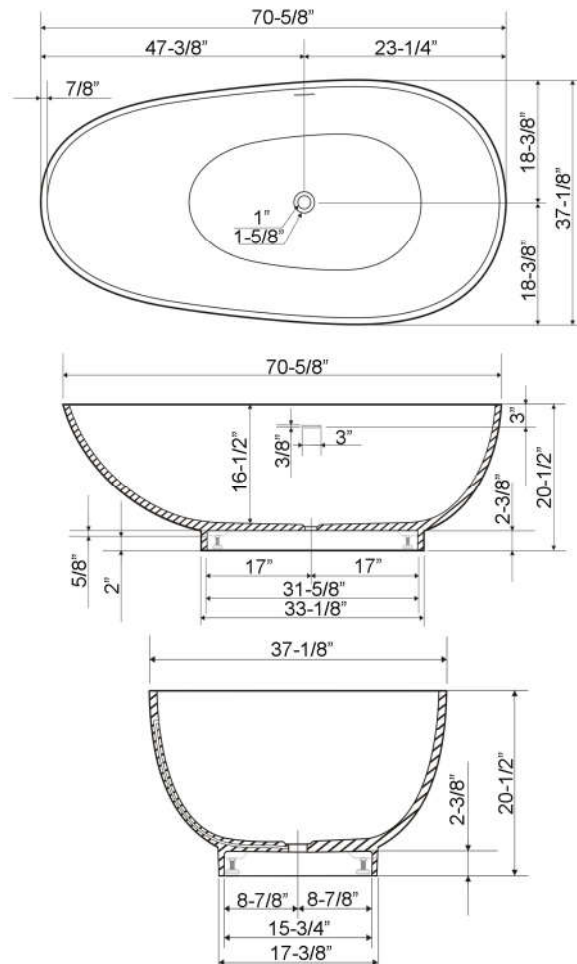
Overflow Connection

Features:

- ▶ Made of poly-resin blend that is the same color throughout
- ▶ 7/8" thick at rim
- ▶ Available in matte or gloss finish
- ▶ No faucet holes
- ▶ Built-in overflow slot
- ▶ Includes white pop-up drain
- ▶ Tub is thoroughly inspected before shipment
- ▶ IAPMO Certified

Tub Colors:

WH Matte White
WH-GL Gloss White



The following is recommended for RTOVN70- soaking tubs:

- Faucets: part #7082 or 7088
- Use with Freestanding Bath Supplies: part #4502
- Freestanding tub fillers: part #7901, 7922 or 7952
(Does not need bath supplies)

Gallon Capacity: 68
Shipping Weight: 355 lbs.
Empty Weight: 255 lbs.
Filled Weight: 823 lbs.

Dimensions of fixture are nominal and specifications subject to change without notice.