

59" ORFEO RESIN FREESTANDING TUB

Cat. No.
RTDEN59



L: 59-5/8"
W: 26-3/4"
H: 22"

Water depth: 17-1/2" to top of the tub
Water depth: 14-1/2" to overflow



Overflow Connection

The following is recommended for RTDEN59 soaking tubs:

- Faucets: part #7082 or 7088
- Rigid, freestanding supplies: part #4502
- Leg tub drain: part #5599LT
- Freestanding filler: part #7901, 7922 or 7952
(Does not need bath supplies)

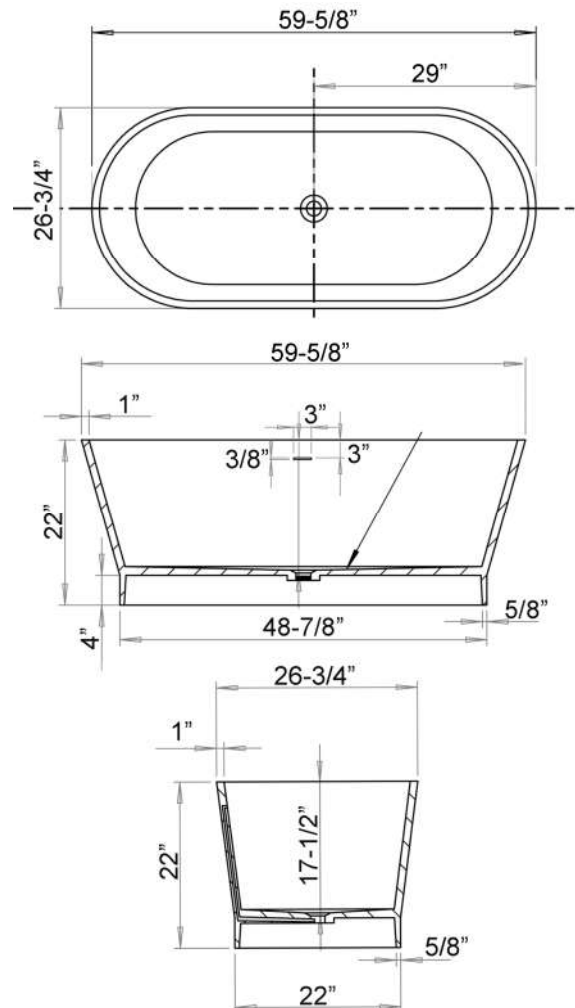
Gallon Capacity with OF: 97
Shipping Weight: 444 lbs.
Empty Weight: 344 lbs.
Filled Weight with OF: 1,154 lbs.

Features:

- ▶ Poly-resin blend is the same color throughout
- ▶ 1" thick at rim
- ▶ Available in Matte or Gloss finish
- ▶ No faucet holes
- ▶ Built-in overflow slot
- ▶ Includes white pop-up drain
- ▶ Tub is thoroughly inspected before shipment
- ▶ IAPMO Certified

Tub Colors:

WH Matte white
WHGL Gloss White



Dimensions of fixture are nominal and specifications subject to change without notice.

09/19/2018

P 847•244•1234

www.barclayproducts.com