

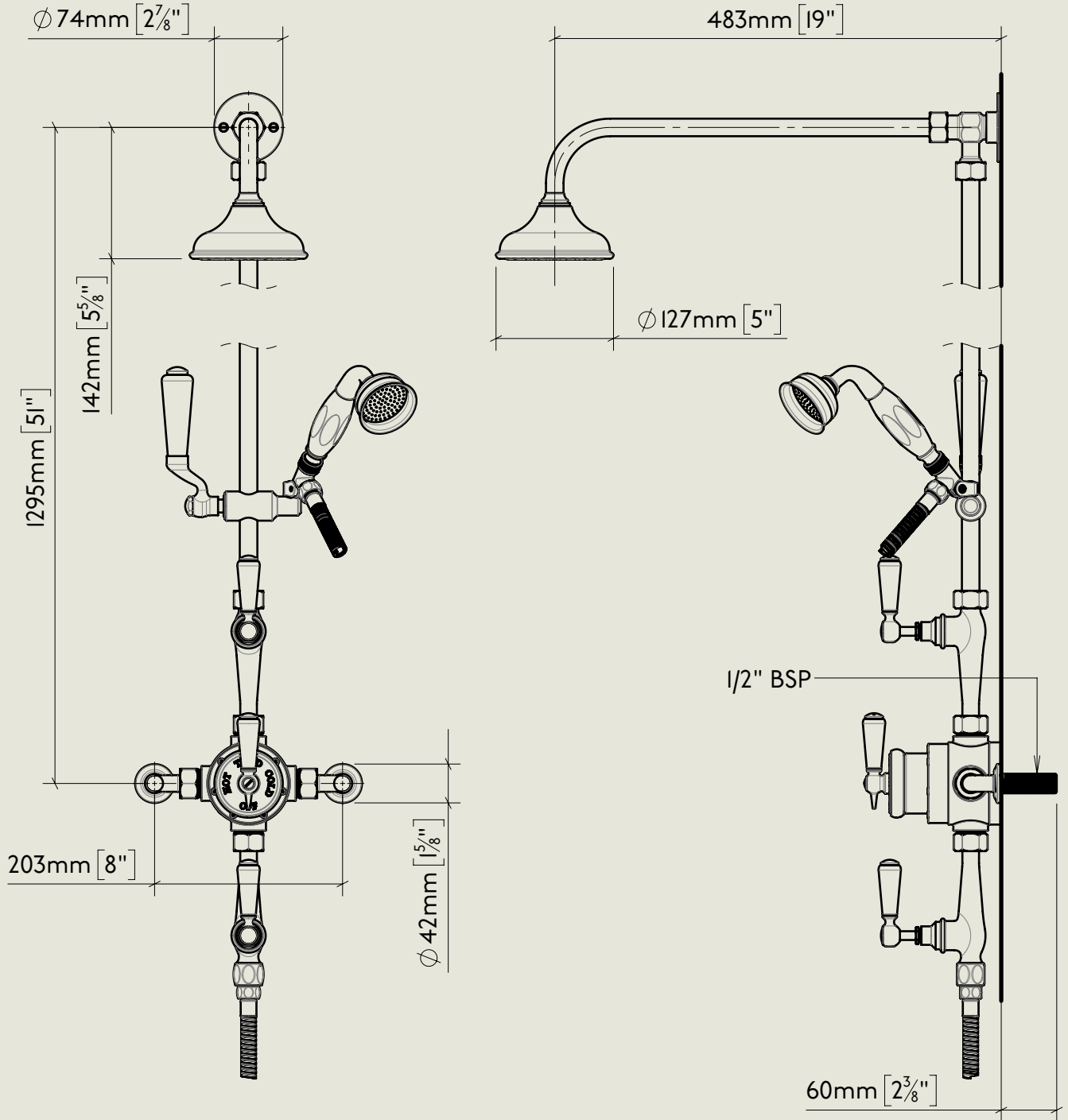


BY APPOINTMENT TO  
HIS MAJESTY KING CHARLES III  
MANUFACTURER OF KITCHEN & BATHROOM TAPS & MIXERS  
BARBER WILSONS & CO. LTD.  
LONDON

LONDON

BARBER WILSONS & CO

EST. 1905



American adapters fitted as standard when purchased via BW&Co USA

Model No.

RML5704-1890

Description

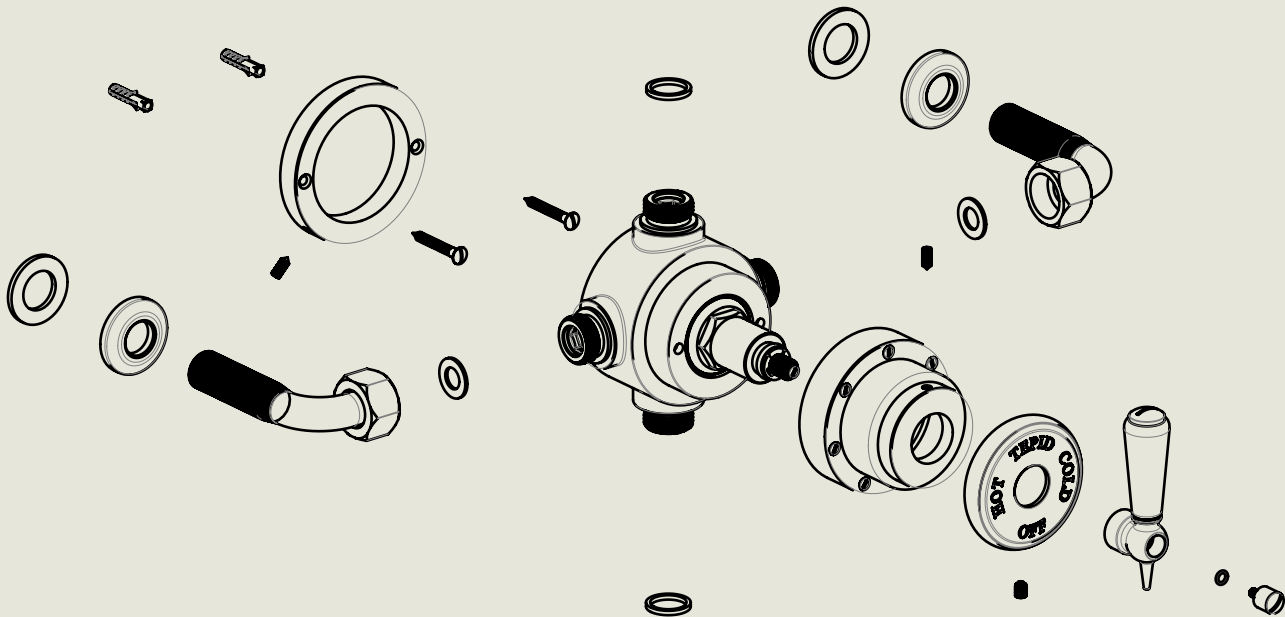
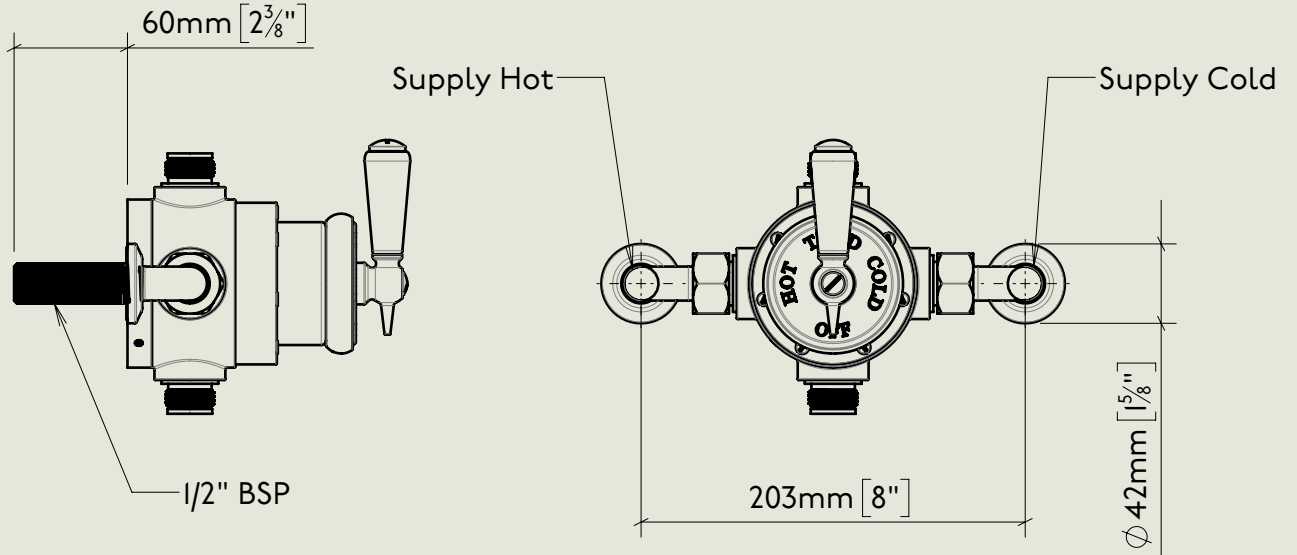
Regent Metal Lever 5704, 1890's Style  
Exposed Regent Thermostatic Valve with Triple  
Control Shower and Hand Spray on Slider Riser,  
 $1/2\text{''}$  BSP Tail Inlet

Complete



BY APPOINTMENT TO  
HIS MAJESTY KING CHARLES III  
MANUFACTURER OF KITCHEN & BATHROOM TAPS & MIXERS  
BARBER WILSONS & CO. LTD.  
LONDON

LONDON **BARBER WILSONS & CO** EST. 1905



American adapters fitted as standard when purchased via BW&Co USA

|                                 |   |                   |
|---------------------------------|---|-------------------|
| <p>Model No.</p> <p>RMLPS53</p> | <p>Description</p> <p>Regent PS53<br/>Exposed Regent Thermostatic Shower Valve,<br/>1/2" BSP Tail Inlet</p> | <p>Thermostat</p> |
|---------------------------------|---|-------------------|

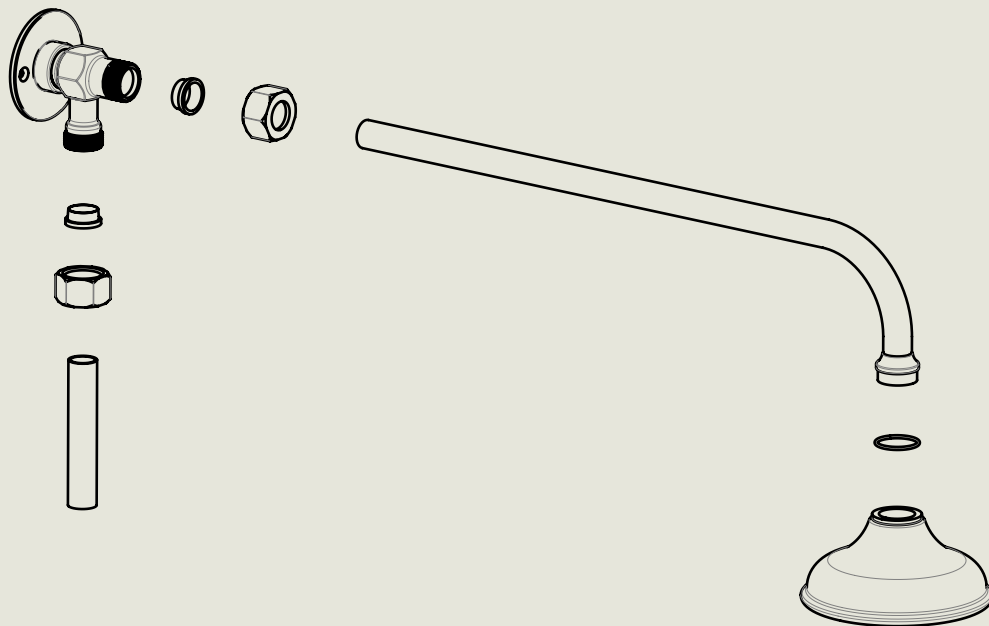
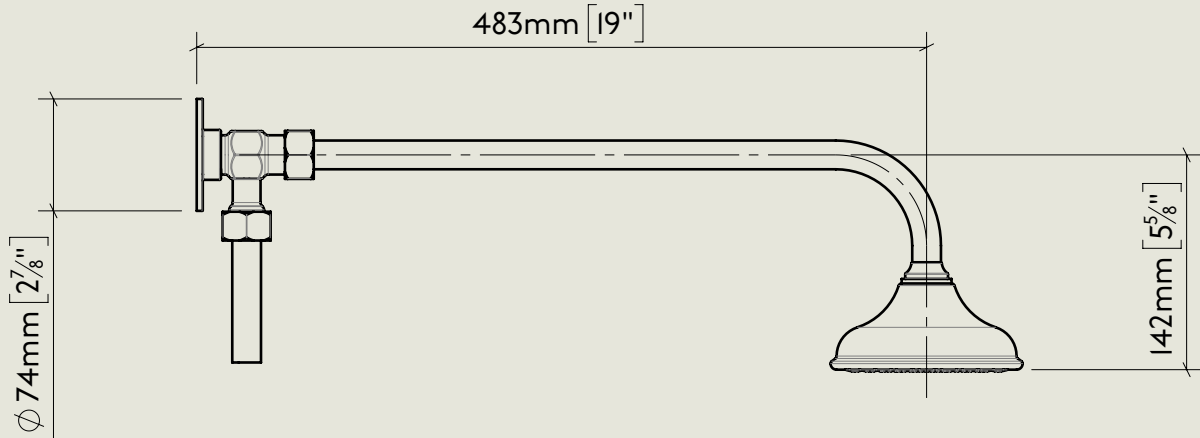


BY APPOINTMENT TO  
HIS MAJESTY KING CHARLES III  
MANUFACTURER OF KITCHEN & BATHROOM TAPS & MIXERS  
BARBER WILSONS & CO. LTD.  
LONDON

LONDON

BARBER WILSONS & CO

EST. 1905



American adapters fitted as standard when purchased via BW&Co USA

| Model No.          | Description  |          |
|--------------------|--|----------|
| PS40A-PS29S / PS10 | Exposed Back Plate and Seventeen and a Half Inch Shower Arm with Fixed Drench Head Rose 5" | Headwork |

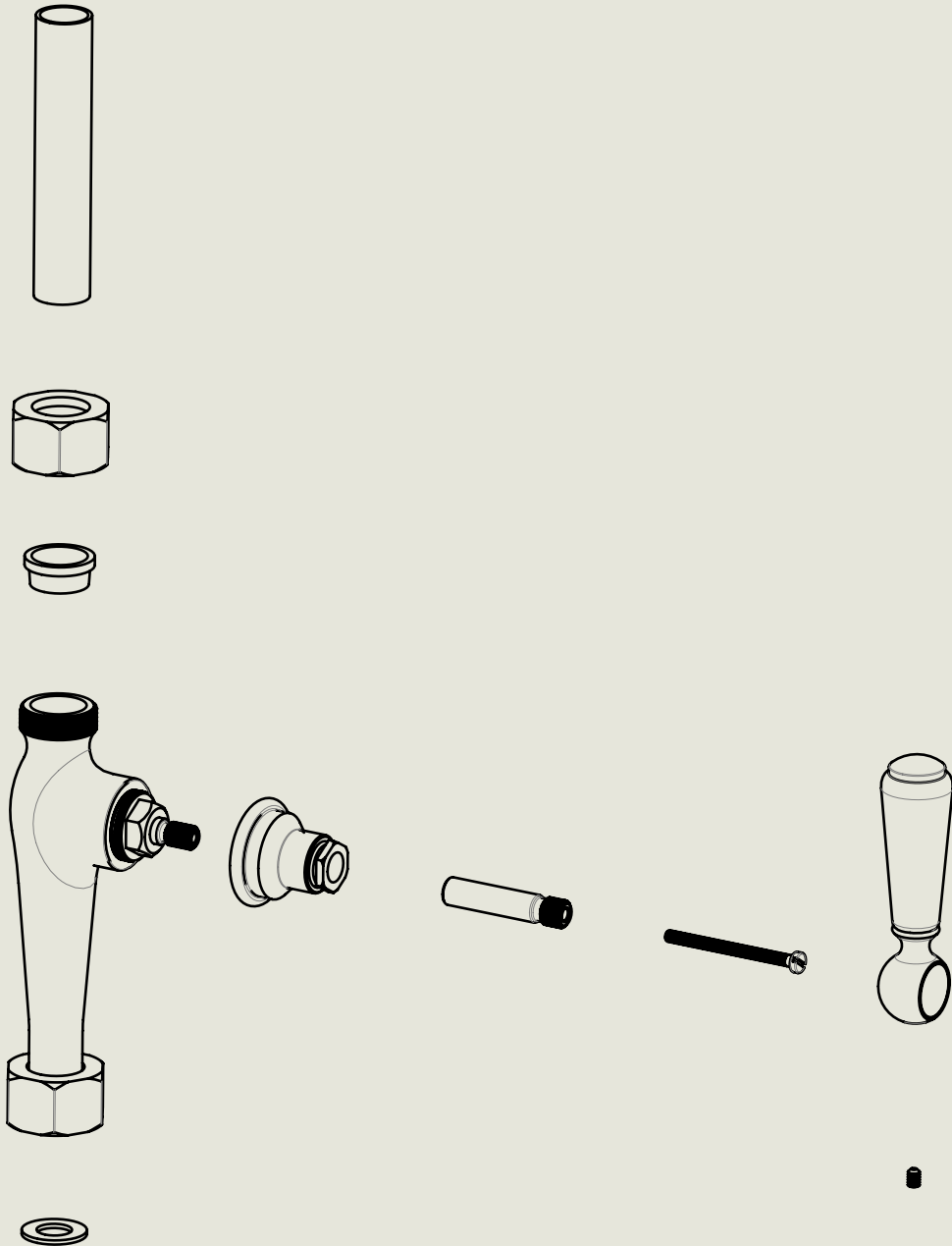


BY APPOINTMENT TO  
HIS MAJESTY KING CHARLES III  
MANUFACTURER OF KITCHEN & BATHROOM TAPS & MIXERS  
BARBER WILSONS & CO. LTD.  
LONDON

LONDON

BARBER WILSONS & CO

EST. 1905



American adapters fitted as standard when purchased via BW&Co USA

Model No.

-

Description

Exposed Shower Control Valve 1890

Control Valve

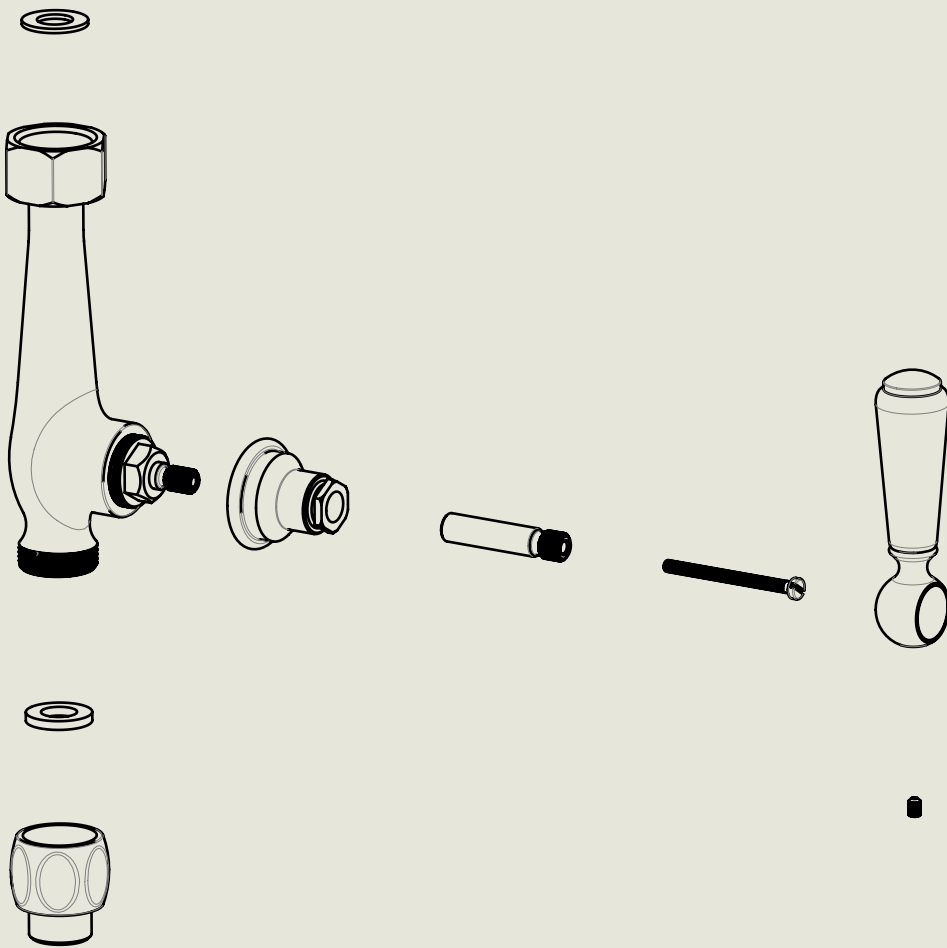


BY APPOINTMENT TO  
HIS MAJESTY KING CHARLES III  
MANUFACTURER OF KITCHEN & BATHROOM TAPS & MIXERS  
BARBER WILSONS & CO. LTD.  
LONDON

LONDON

BARBER WILSONS & CO

EST. 1905



American adapters fitted as standard when purchased via BW&Co USA

Model No.

-

Description

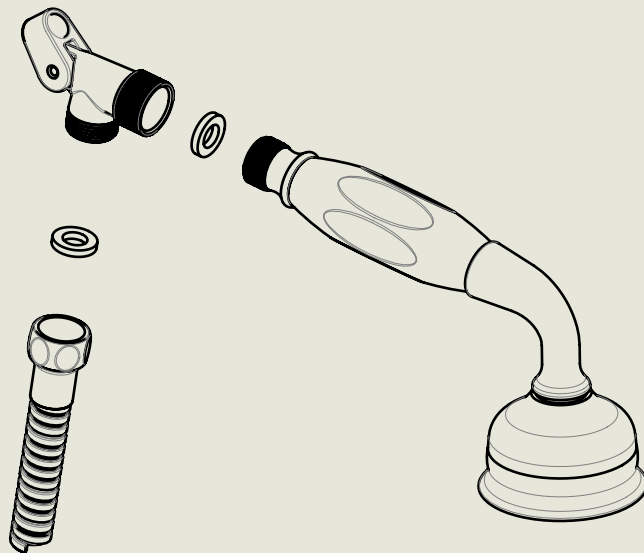
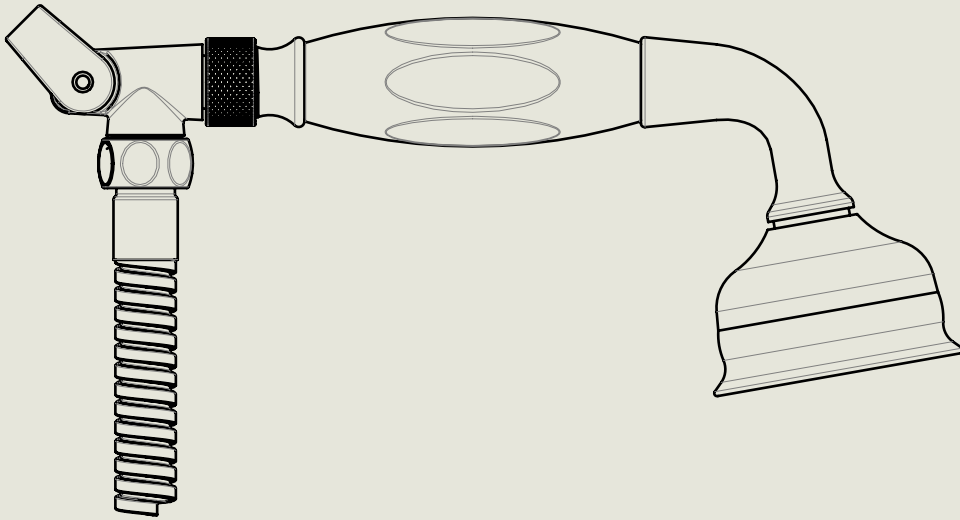
Exposed Shower Control Valve I890

Control Valve Hose



BY APPOINTMENT TO  
 HIS MAJESTY KING CHARLES III  
 MANUFACTURER OF KITCHEN & BATHROOM TAPS & MIXERS  
 BARBER WILSONS & CO. LTD.  
 LONDON

LONDON BARBER WILSONS & CO EST. 1905



American adapters fitted as standard when purchased via BW&Co USA

|                           |   |                   |
|---------------------------|---|-------------------|
| <p>Model No.</p> <p>-</p> | <p>Description</p> <p>Hand Spray, Rose and Flexible Hose on a Swivel Hook</p> | <p>Hand Spray</p> |
|---------------------------|---|-------------------|