

PALMER 7036

DESIGNER COLLECTION

H | S

PVC SYSTEMS INCLUDE:

- 8 Fully directional adjustable PVC jets
- Anti-vortex safety suction
- Color matched system trim
- HydroOzone ozone sanitation system
- Rigid PVC piping
- Self draining pump and system
- Soft Touch electronic on/off control with 30-minute integral times
- 2.25 HP single speed pump
- Cable waste and overflow
- Requires 20 Amp Dedicated GFCI



OPTIONS:

- *Colonial Grab Bars
- * Integral waste and overflow (linear)
- * Chromotherapy-LED Lighting System
- Indulge System
- Microban Antibacterial Protection
- Extra high density fiberglass
- Custom jet and pump locations
- Additional directional Jets
- Swirling, Rotating, or Jumbo Jets
- Micro Therapy Jet
- Integral waste and overflow (circular)
- Masseur Pillow
- 1.5 HP Variable Speed Pump (digital temperature display optional)
- Electronic low water protection
- In-line heater
- Hydro Fusion
- Hydro Coat
- Hydro Express quick ship

HYDRO SYSTEMS
Family Owned And Operated Since 1978

29132 Avenue Paine, Valencia, CA, 91355
661.775.0686 | hydrosystem.com

* Indicates options that are shown (listed in order from top to bottom/
left to right)

PALMER 7036

DESIGNER COLLECTION

H | S

AS SHOWN:

Soaking only tub

FEATURES SHOWN:

- Overflow location

ALSO AVAILABLE:

- Whirlpool
- Thermal Air
- Combo

SIZE:

70.36.22

WATER CAPACITY:

80 Gallons

WEIGHT:

95 - 135 Pounds

DROP-IN INSTALLATION DIMENSIONS:

- (L)ength- 68"
- (W)idth- 34"
- (H)eight- 22"

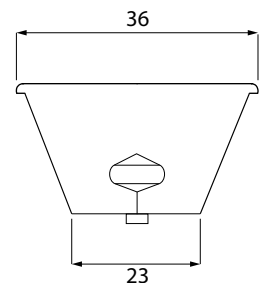
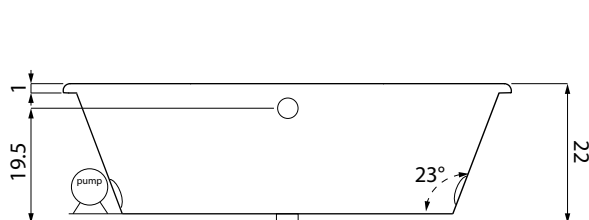
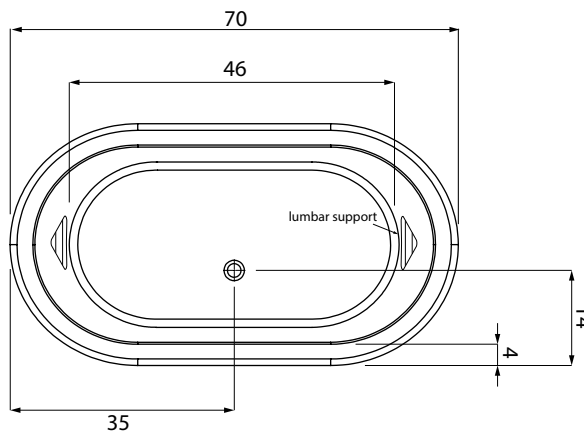
STANDARD ELECTRICAL REQUIREMENTS:

- Whirlpool System | One 20 Amp Dedicated Circuit
- Thermal Air System | One 15 Amp Dedicated Circuit
- Combo System | One 15 Amp Dedicated Circuit and One 20 Amp Dedicated Circuit
- Indulge System | One 15 Amp Dedicated Circuit
- Hydro Fusion (1500 Watts) | One 15 Amp Dedicated Circuit
- Hdyro Fusion (600 Watts) | One 6 Amp Dedicated Circuit
- Variable Speed Pump | One 20 Amp Dedicated Circuit
- Inline Heater (1500 Watts) | One 20 Amp Dedicated Circuit

When combining systems, contact Hydro Systems for electrical requirements

ACRYLIC TUB

- Acrylic models finished in 1/8" thick layer of deep lustrous acrylic
- Extra thick reinforced fiberglass
- Pre-wired pump on pump platform (standard pump location only)
- Integral E-Z level platform facilitates installation
- Tub must be set in a mortar base
- When adding linear option, p-trap is located directly below waste



CODES AND COMPLIANCES

Massachusetts code File no: P1-0614-491



HYDRO SYSTEMS
Family Owned And Operated Since 1978

29132 Avenue Paine. Valencia, CA, 91355
661.775.0686 | hydrosystem.com

All specifications and options subject to change without notice please contact a Hydro Systems representative for more information. Certain options or altering the pump/blower location may cause the pump/blower to extend beyond the tub decking. For cutout dimensions wait for unit to arrive. All specifications subject to change without notice.