

PS139

artos®

Square Thermostatic Shower Trim Kit with Wall Mount Shower Head, Hand Held Shower

OPERATING SPECIFICATIONS



OPERATING PRESSURE

Minimum: 15 psi

Maximum: 125 psi

Above 90psi it may be necessary to install a pressure reducer

OPERATING TEMPERATURE

Maximum: 176°

FLOW CAPACITY

Shower Head: 1.8 USGPM

Handshower: 1.8 USGPM



STANDARDS

ASSE 1016-2011

ASME_A112.1016-2011

CSA B125:16-11



PS139

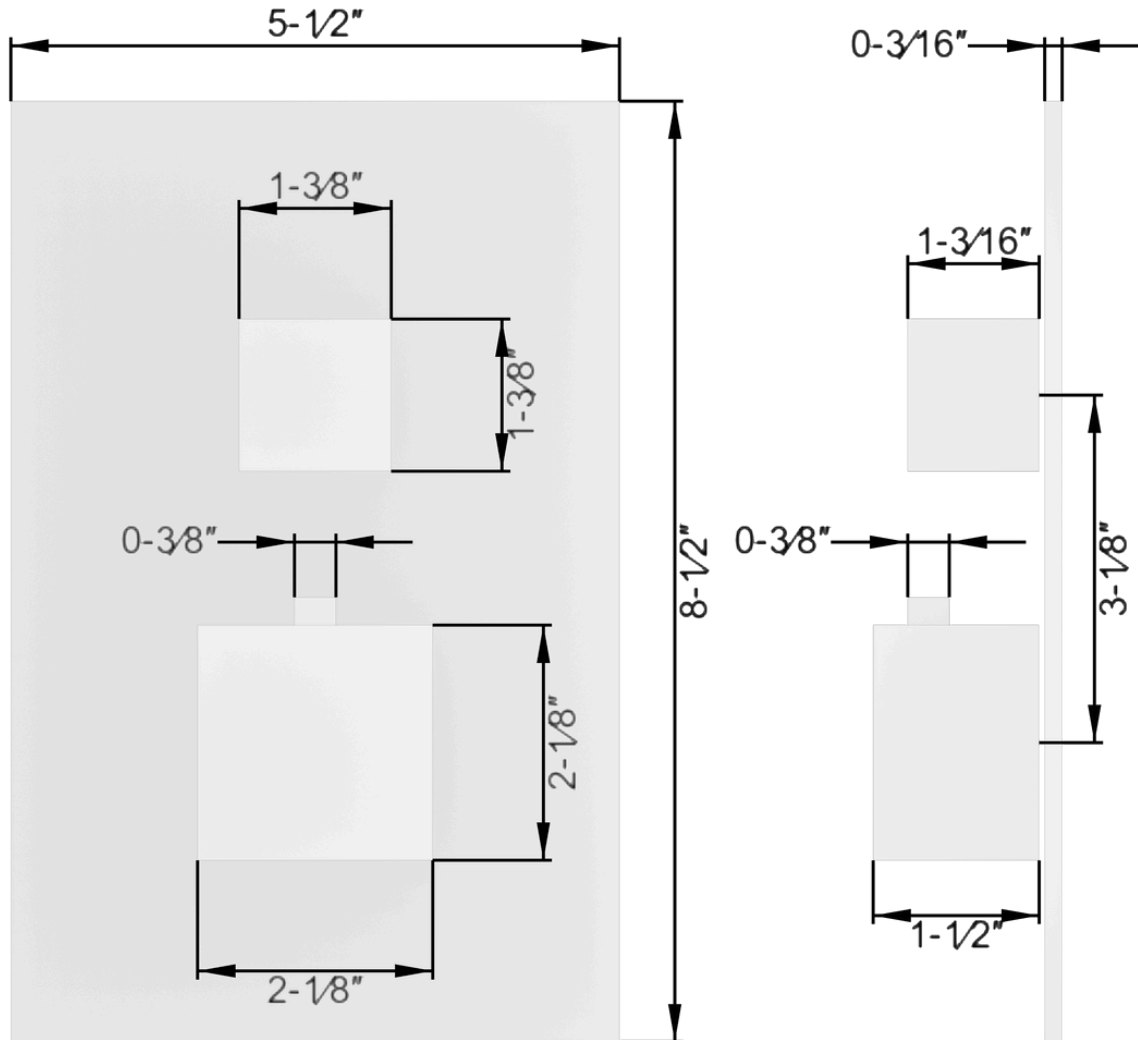
Square Thermostatic Shower Trim Kit with Wall Mount Shower Head, Hand Held Shower

artos®

PRODUCT DIMENSIONS

PRODUCT SKU

F903B-59TK



PS139

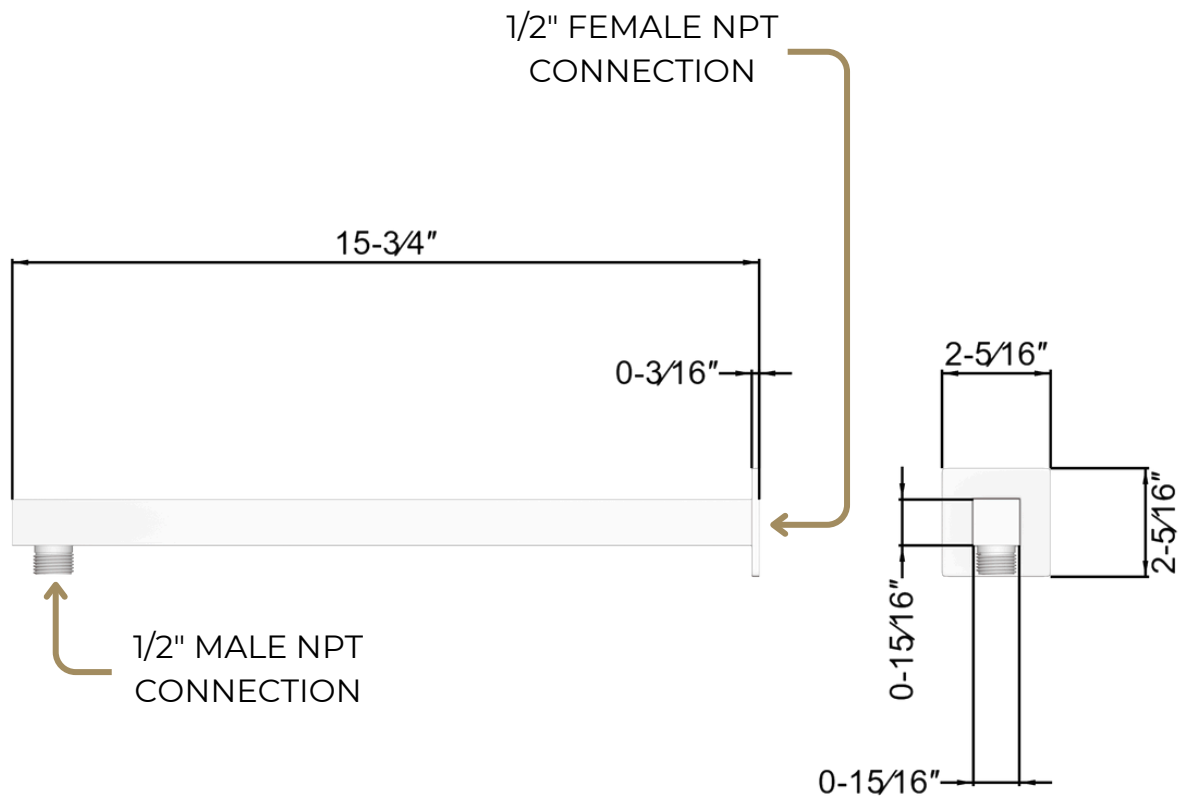
artos®

Square Thermostatic Shower Trim Kit with Wall Mount Shower Head, Hand Held Shower

PRODUCT DIMENSIONS

PRODUCT SKU

FSC1001



PS139

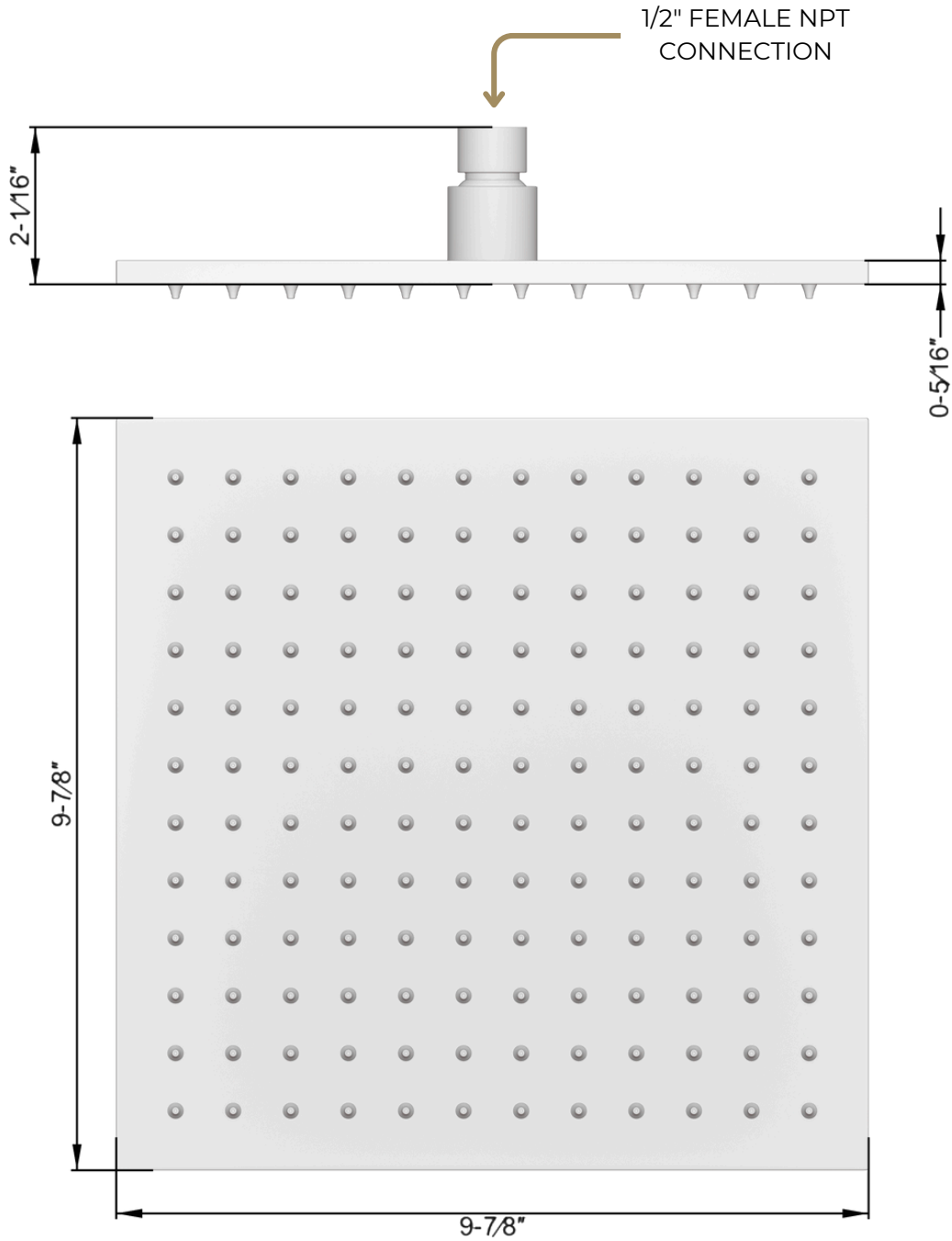
artos®

Square Thermostatic Shower Trim Kit with Wall Mount Shower Head, Hand Held Shower

PRODUCT DIMENSIONS

PRODUCT SKU

F901-9



PS139

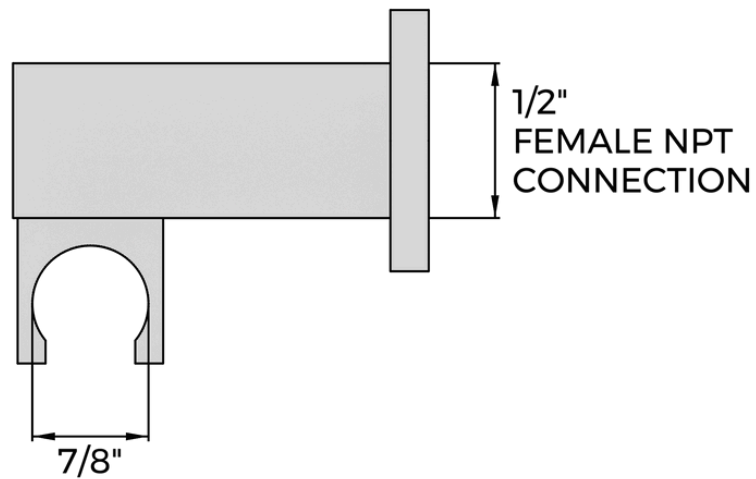
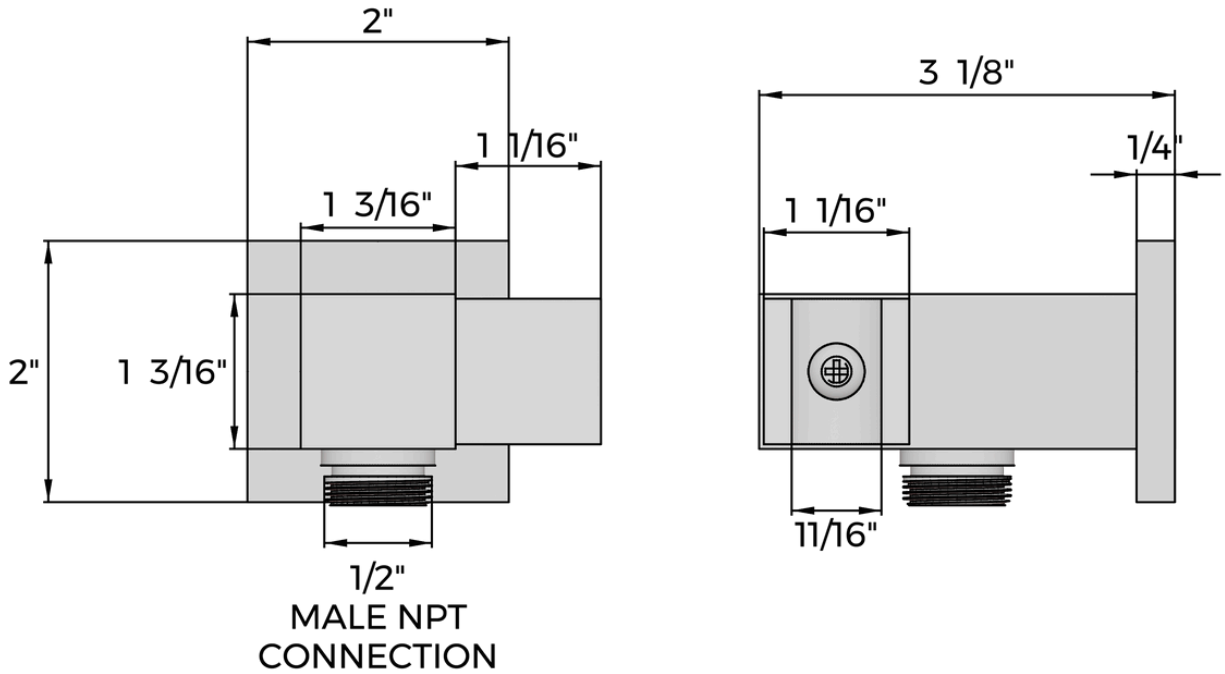
artos®

Square Thermostatic Shower Trim Kit with Wall Mount Shower Head, Hand Held Shower

PRODUCT DIMENSIONS

PRODUCT SKU

FSC1002



PS139

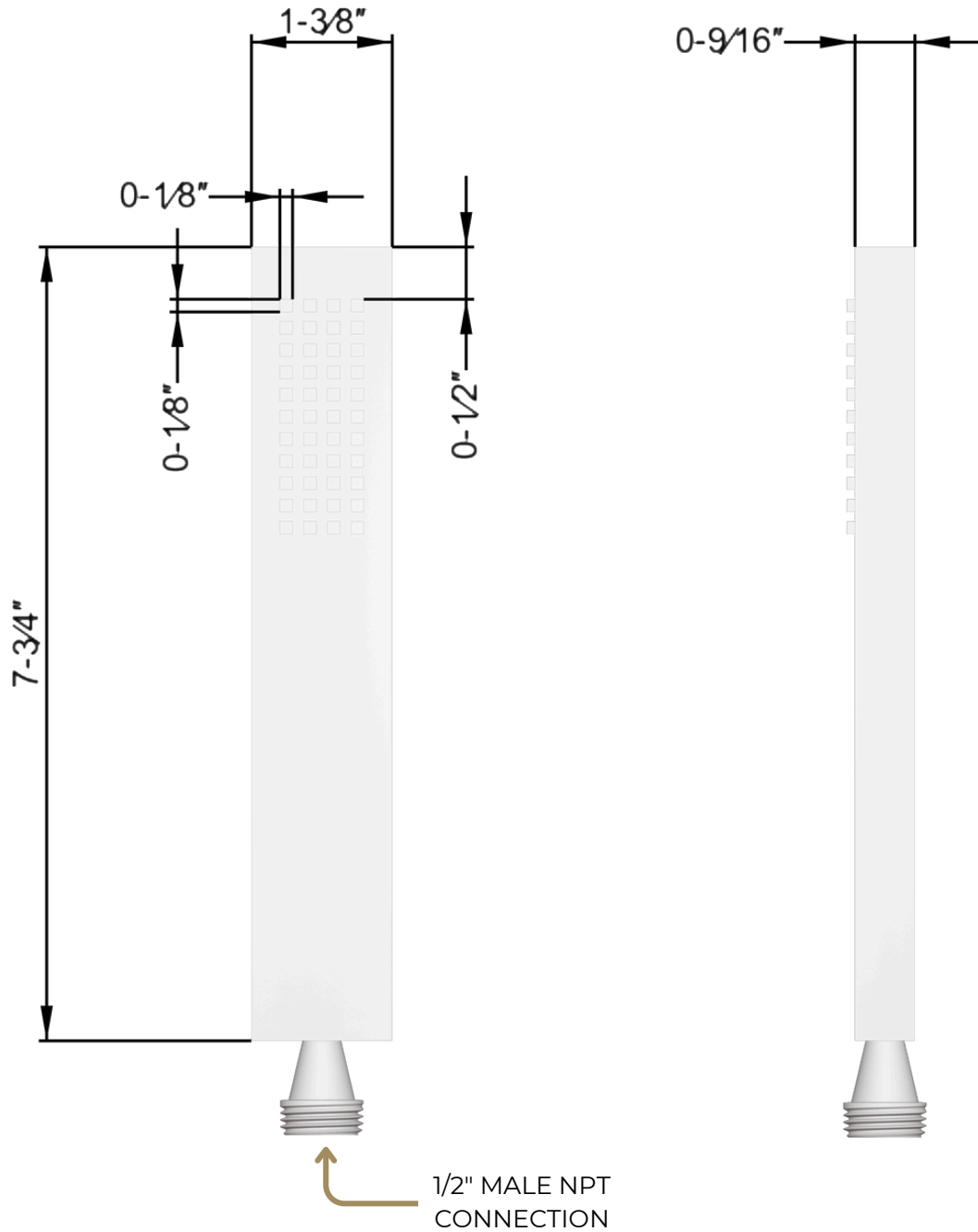
artos®

Square Thermostatic Shower Trim Kit with Wall Mount Shower Head, Hand Held Shower

PRODUCT DIMENSIONS

PRODUCT SKU

FSC1016



PS139

Square Thermostatic Shower Trim Kit with Wall Mount Shower Head, Hand Held Shower

artos®

PRODUCT DIMENSIONS

PRODUCT SKU

F902-8



METAL SHOWER HOSE

1/2" FEMALE NPT CONNECTIONS
60" IN LENGTH