



# ID357

## CAST IRON ISLAND TUB DRAIN (ROUGH-IN)

### Description:

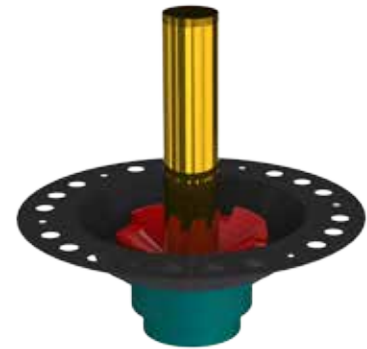
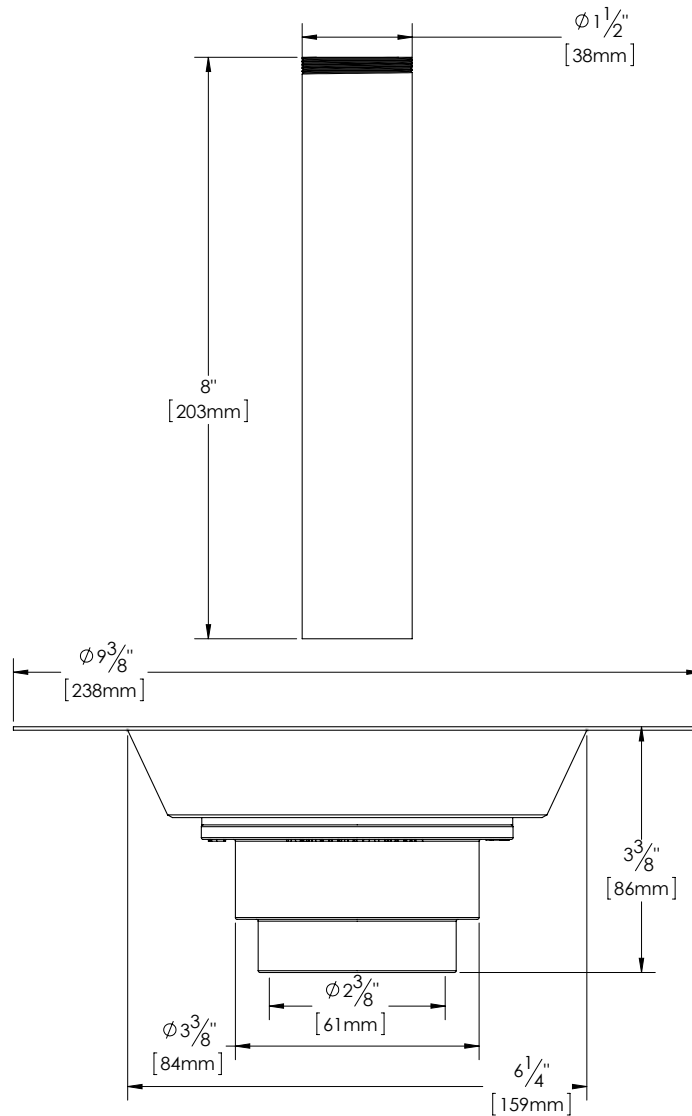
Cast Iron Island Tub Drain (Rough-in) for Freestanding Tubs

Certification



### Features:

- 18 Gauge Epoxy coated Metal Deck Plate with holes to lock to Thinset
- ID357 features a Cast Iron Body
- ID357 is a Freestanding Tub rough-in (install before tile installation)
- Supplied with Brass Tailpieces (Threaded and Flanged)
- Can be installed with Waterproofing Membrane (bronte™ NobleSeal TS Recommended)



**Oakville Stamping and Bending Ltd.**

2200 Speers Road, Unit C. Oakville, ON. Canada. L6L 2X8.

T. 905.827.0320 or toll free 1.877.314.6040 F. 905.827.6375 or toll free 1.877.827.6040.

All rights reserved. OS&B™ reserves the right to change product specifications and material or discontinue models without notice.

**www.osb.ca (Canada)**  
**www.osbplumbing.com (USA)**