

Rubix Access 6030



Material : Acrylic
 Min: 34 Gal / 127 L
 Max: 35 Gal / 132 L

Features

- › Alcove installation with modern cubic design
- › ADA compliant when installed as per the specific requirements of the regulation
- › Acrylic surface resistant to stains
- › Available in left-hand and right-hand drain configurations to fit your specific bathroom layout
- › High-gloss finish adds luxurious look to your bathroom
- › Anti-slip certified floor, and a low threshold to cross over for (14-in) maximum safety. Textured floor meets ADA, ANSI or CSA requirements. Compliant with accessibility codes when properly installed
- › Adds a modern look to any bathroom
- › Compatible with UTile for an easy wall solution
- › Maximized bathing designed for optimal comfort

RUBIX ACCESS 6030 - 106348						
SKU	System	Color	Configuration	Dimensions & Weight	Packaging	MSRP
106348-000-001-001	Soaker - No System	White	Left Drain	59 7/8" x 30 1/8" x 14" / 75 lb	13.73 ft ³	\$ 1145
106348-000-001-002			Right Drain			\$ 1145

RUBIX ACCESS 6030 AFR - 106349						
SKU	System	Color	Configuration	Dimensions & Weight	Packaging	MSRP
106349-000-001-100	Soaker - No System	White	Left Drain	59 7/8" x 30 1/8" x 16" / 75 lb	12.2 ft ³	\$ 1145
106349-000-001-101			Right Drain			\$ 1145

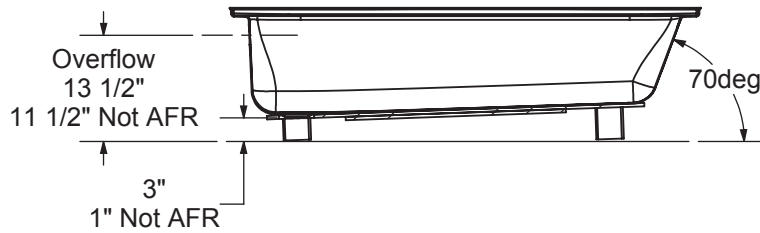
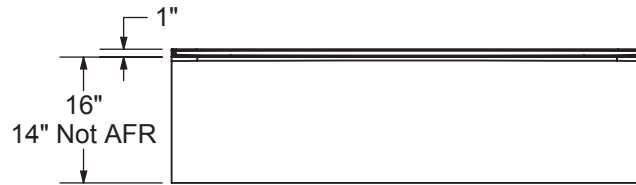
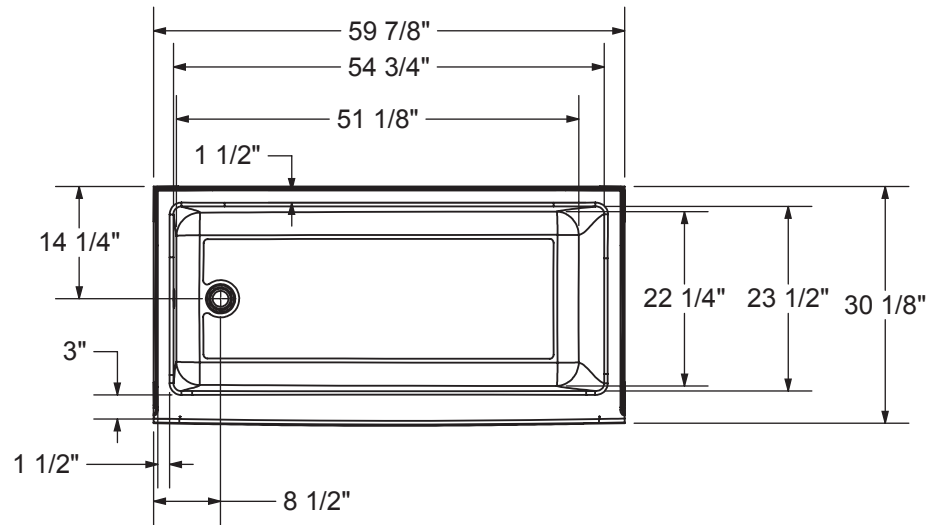
COMMON OPTIONS		
SKU	Description	MSRP
OPT20137-004	Cable-operated waste and overflow (16 in. to 22 in.) (included in product packaging when purchased) Available colors: White (001), Bone (004), Chrome (084) and Brushed Nickel (105)	\$ 238
OPT20137-084		\$ 238
OPT20137-105		\$ 238
OPT20137-001		\$ 238

ACCESSORIES

SKU	Description	MSRP
10004306-001	White foam cushion with 2 suction pads (sold separately) Available color: White (001)	\$ 120
10022491-084	Cable-operated waste and overflow (16 in. to 22 in.) (sold separately) Available colors: White (001), Bone (004), Chrome (084) and Brushed Nickel (105)	\$ 238
10022491-004		\$ 238
10022491-105		\$ 238
10022491-001		\$ 238

RECOMMENDED DOORS - VISIT OUR WEBSITE FOR A COMPLETE LIST OF RECOMMENDED DOORS

SKU	Product Name	Pag.
139398	Halo 56 ½-59 x 59 - 8mm	817
139351	Incognito 57 56-59 x 56 ¾ in. 6mm Tub Door	839
139354	Incognito 57 56-59 x 56 ¾ in. 8mm Tub Door	843
135330	Incognito 57 Shaker 56-59 x 56 ¾ in. 8mm Tub Door	837
135695	Revelation Square 56-59 x 56 ¾-59 ¼ - 8mm	853
135692	Revelation Square 56-59 x 56 ¾-58 ¼ - 6mm	851
136692	Revelation Round 56-59 x 56 ¾-59 ¼ - 6mm	847
136695	Revelation Round 56-59 x 56 ¾-59 ¼ - 8 mm	849
135320	Uptown 56-59 x 58 in. 8 mm	855
138485	Vela 56 ½-59 x 59 - 8mm	815
138480		813
134661	Kameleon SC 55-59 x 57 - 6mm	826
134573	Kameleon 55-59 x 57 - 8mm	829
134670	Kameleon SC 55-59 x 57 - 8mm	821
134561	Kameleon 55-59 x 57 - 6mm	832
138994	Luminescence SlidingDoor 56 ½-59 x 55 ½-57 ½ - 6mm	819
105410	Polar 54-59 ½ x 57 in.	845



Wood support design may vary.
 All dimensions are approximate. Structure measurements
 must be verified against the unit to ensure proper fit.