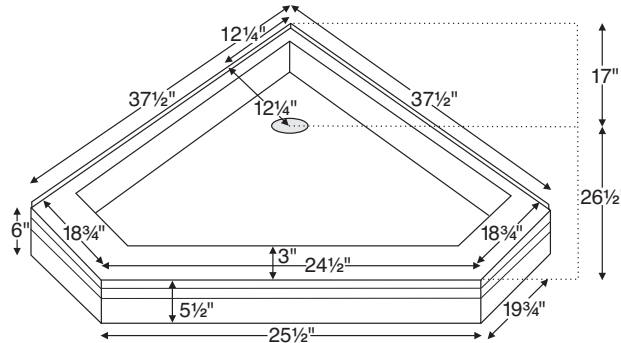




# MTSB-38NA

37.5" x 37.5" x 5.5"

Neo-Angle



## Shower Base

**Standard Colors:** Part # SB38NA **\$1,145** Choose from:

White (CWH), Bone (CBN), Biscuit (CBS)

**Other Colors:** Part # SB38NAGRP1 **\$1,405** Choose from:

Black (CBL), Sterling Silver (CSS)

Quick Ship/Priority - reduces lead time (QSPRI) Call for availability. **\$350**

## Options

PVC Drain Kit with Chrome cover (included with shower base)

Also available in the following finishes:

Brushed Nickel (SBDKBN) **\$75**

Special Finishes (SBDKSF) **\$225** Send sample - allow 2 weeks.

Solid Brass Drain Kit with Stainless cover (SBDKSB) **\$170**

Pre-Leveled Foam Base (PLFSB) **\$150** see p. E-71

## Accessories - see pp. E-73-E-79

### Teak Shower Seat -

Premium - Natural Stainless (TK-SSEAT2416BNS) **\$2,185**

- High-Polished Stainless (TK-SSEAT2416BHP) **\$2,525**

Standard - Natural Stainless (TK-SSEAT2215NS) **\$810**

- High-Polished Stainless (TK-SSEAT2215HP) **\$1,035**

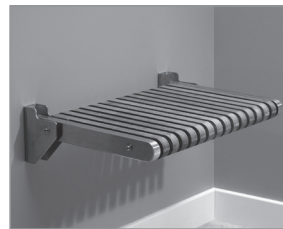
### Teak Shower Tray (TK-38NA) **\$675**

### Teak Bath Mat (TK-MAT3018) (custom sizes also available) **\$395**

### Shower Niche - constructed of Engineered Solid Stone (ESS)

Matte Finish - White (SSNWHMT) or Biscuit (SSNBSMT) **\$440**

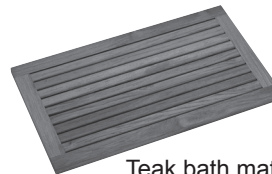
Gloss Finish - White (SSNWHGL) or Biscuit (SSNBSGL) **\$590**



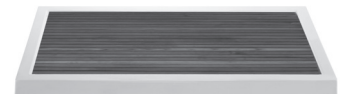
Premium teak seat  
Size 24" x 16"



Standard teak seat  
Size 22" x 15"



Teak bath mat



Teak shower tray



Shower niche

## CONSTRUCTION AND STANDARD FEATURES

- Neo-angle design; 3.5" drain opening pre-drilled.
- Integral tile flange on 2 sides to facilitate installation.
- Textured bottom that meets ASTM F-462-1994 certification requirements for safer showering.
- Durable Lucite® cast acrylic shell is extremely scratch- and stain-resistant, yet renewable because the color goes all the way through the material.
- Non-porous surface makes cleaning and sanitizing faster and more effective.
- Multi-layered backing of thick fiberglass / resin / titanium encloses wood reinforcement to prevent flexing of floor pan.
- At least 30% thicker and stronger than other makes.
- Lead time - 5 business days.
- 10-year Limited Residential Warranty.
- Shipping Weight: 65 lbs

SHOWER BASE INSTALLATION: Add bedding compound to fully support bottom of shower base. MTI's optional Pre-Leveled Foam Base requires no additional bedding compound or support. See installation instructions. Measurements are  $\pm 1/2"$  and are subject to change without notice. Data herein supersedes all previous prior to publication date indicated below.