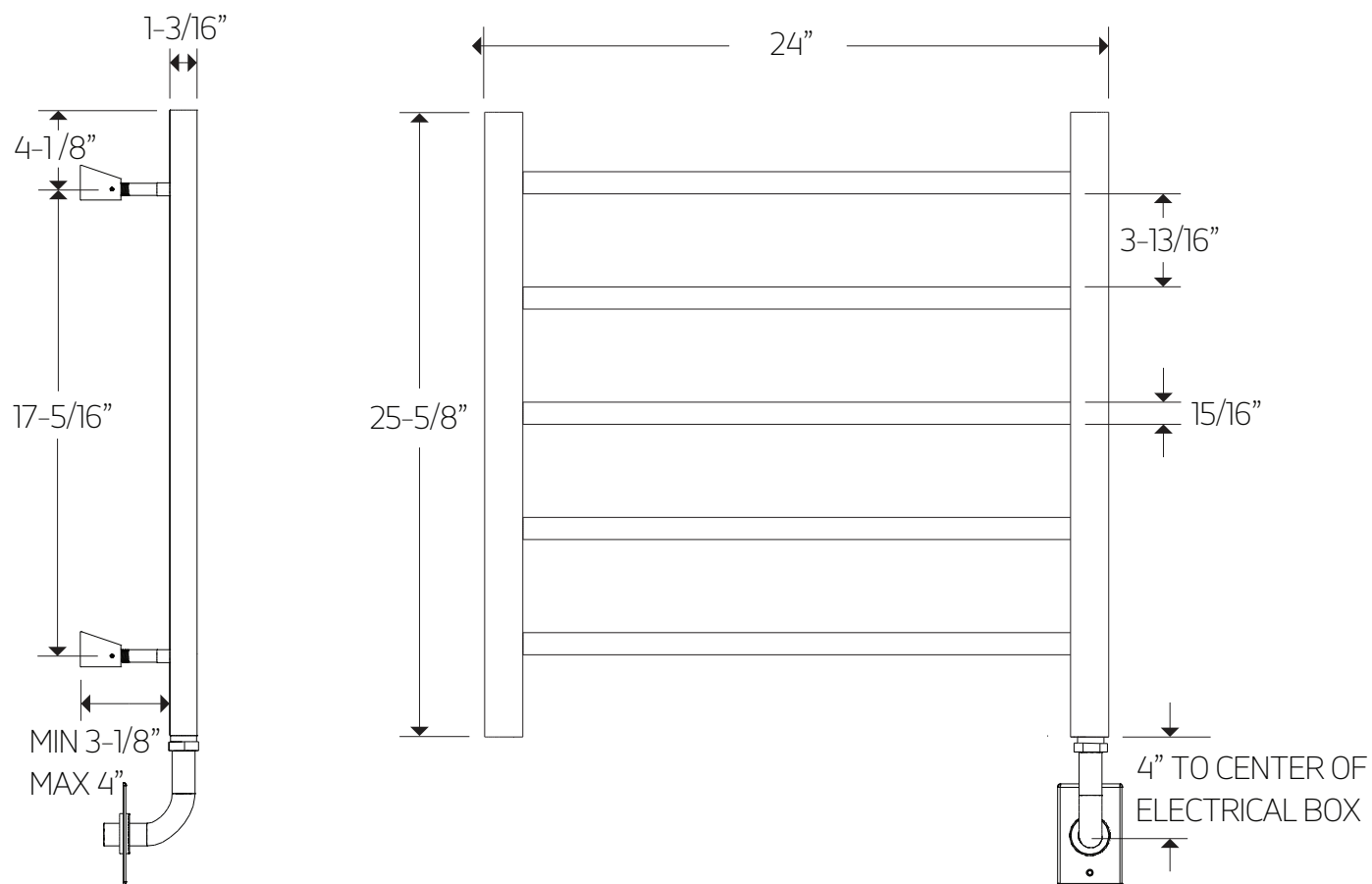




MR06560W

TECHNICAL DATA SHEET

ryton towel warmer,
hardwired



artos

MR06560W

OPERATING SPECIFICATIONS

ryton towel warmer,
hardwired



FEATURES

Towel warming, drying and auxiliary heating.

ELEMENT

300W, 110V

CODES

UL Approved
CSA-US Approved

REQUIREMENTS

The towel warmer must be installed so that the Element is at the bottom.