



California Faucets®

# Tiburon™

## WALL LAVATORY

### Features

- Over 28 finishes including 13 PVD finishes
- All brass construction
- 1.2 gpm (4.5 L/min) max flow rate
- Rough valve (VL-R) sold separately

### Codes/Standards

Product meets or exceeds the following:

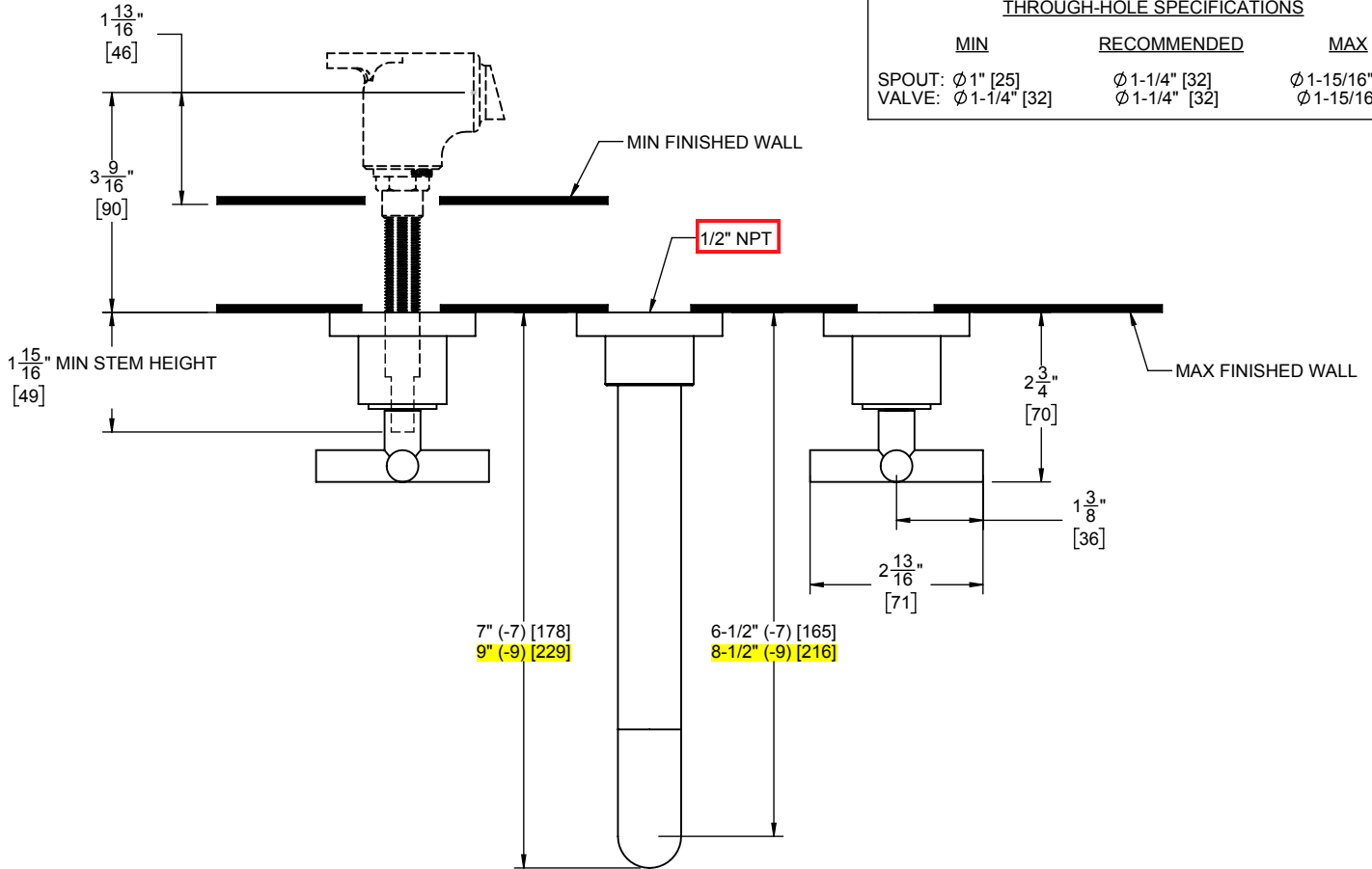
- ASME A112.18.1/CSA B125.1
- NSF/ANSI 61 & NSF/ANSI 372
- CEC & DOE
- Commonwealth of MA
- EPA WaterSense High Efficiency Lavatory



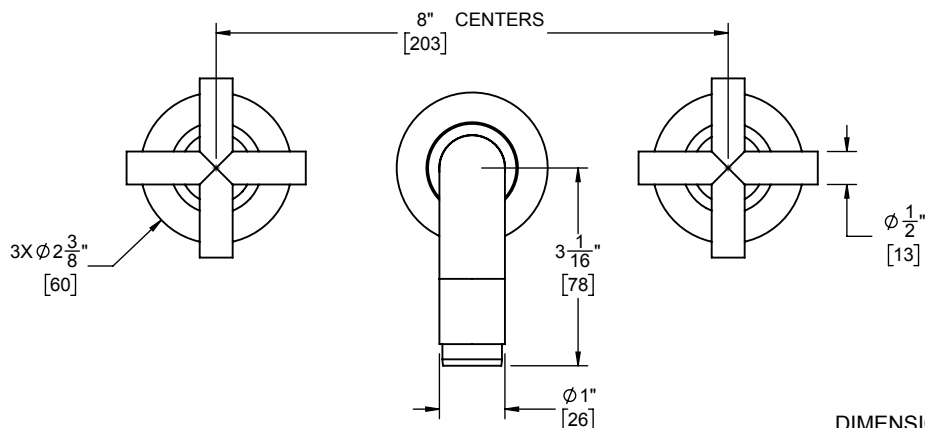
TO-V6502-9

**TO-V6502-7/9**

**Finish -**  
**\* Matte Black**



THROUGH-HOLE SPECIFICATIONS		
MIN	RECOMMENDED	MAX
SPOUT: Ø 1" [25]	Ø 1-1/4" [32]	Ø 1-15/16" [49]
VALVE: Ø 1-1/4" [32]	Ø 1-1/4" [32]	Ø 1-15/16" [49]



SPECIFICATIONS SUBJECT TO CHANGE WITHOUT NOTICE

DIMENSIONS SHOWN TO NEAREST 1/16"  
[DIMENSIONS SHOWN TO NEAREST 1MM]