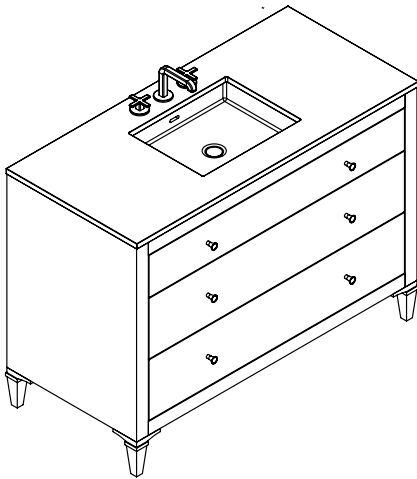


Specifications and Installation Guide

B870- Legacy *Free Standing Vanity Collection*

Models

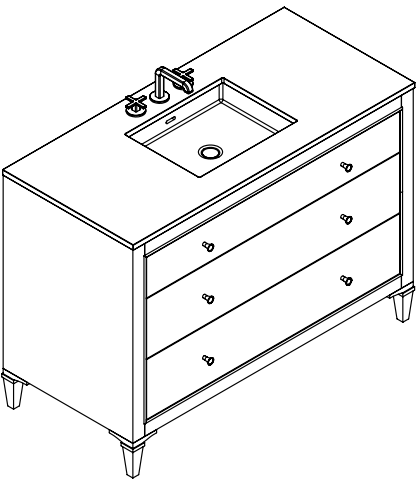
- B870-24-001-XX
- B870-30-001-XX
- B870-36-001-XX
- B870-42-001-XX
- B870-48C-001-XX
- B870-48D-001-XX
- B870-60C-001-XX
- B870-60D-001-XX
- B870-72D-001-XX



B871- Classique *Free Standing Vanity Collection*

Models

- B871-24-001-XX
- B871-30-001-XX
- B871-36-001-XX
- B871-42-001-XX
- B871-48C-001-XX
- B871-48D-001-XX
- B871-60C-001-XX
- B871-60D-001-XX
- B871-72D-001-XX



B872- Heirloom *Free Standing Vanity Collection*

Models

- B872-24-001-XX
- B872-30-001-XX
- B872-36-001-XX
- B872-42-001-XX
- B872-48C-001-XX
- B872-48D-001-XX
- B872-60C-001-XX
- B872-60D-001-XX
- B872-72D-001-XX

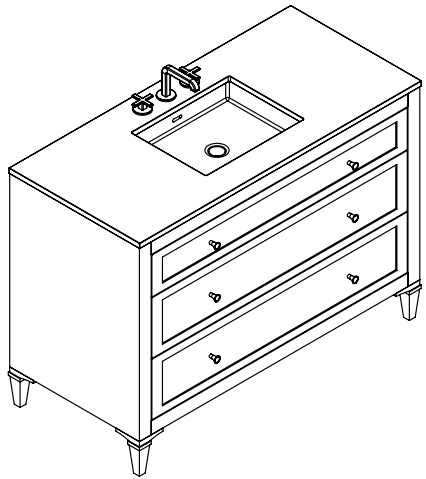


Table of Contents

	Page / Page
Specifications 24/30/36/42/48C.....	2
Specifications 48D.....	3
Specifications 60C.....	4
Specifications 60D/72D.....	5
Feet Installation: B870-Legacy/B871-Classique/B872-Heirloom.....	6
Typical Installation: B870-Legacy/B871-Classique/B872-Heirloom.....	7
Center (Adjustable) Feet Installation: B870-Legacy/B871-Classique/B872-Heirloom.....	8
Handle Installation and Drawer Adjustment.....	9

For clarification, please contact Madeli Customer Care at (800) 819-6988 Ext.1 or service@madeli.com
 Pour plus de précisions, veuillez contacter le service client Madeli au (800) 819-6988 Ext.1 ou service@madeli.com

Legacy/Classique/Heirloom-24"/30"/36"/42"/48"-Single Bowl Cabinet Specifications

Features

- Free Standing Vanity
- Three fully adjustable drawers with full-extension soft-close European hardware.
- Middle and Bottom drawers include adjustable tempered glass dividers
- Furniture grade plywood or moisture-resistant wood composite construction
- Finished with a sealed, decorative veneer or with premium polyurethane solid color paints
- Knob finish options: polished chrome (PC), brushed nickel (BN), polished nickel (PN), matte black (MB) and satin brass (SB)
- Feet furnished separately for field installation.

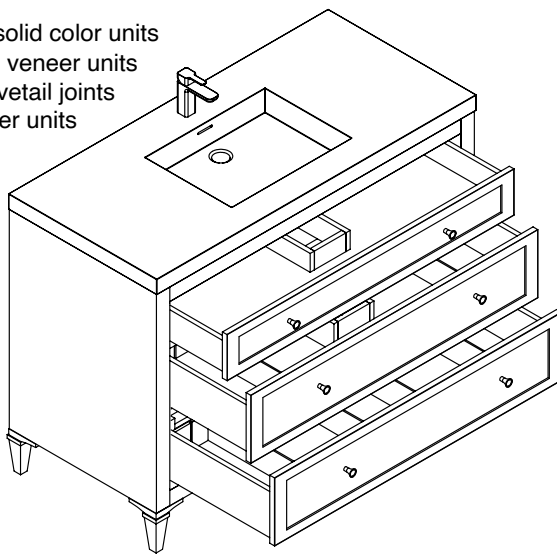
Drawer Boxes

- Matching color for solid color units
- Light grey for wood veneer units
- Solid wood with dovetail joints for decorative veneer units

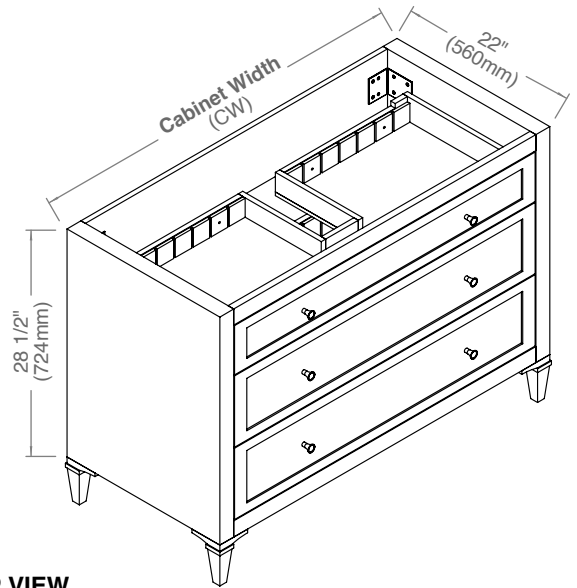
Top/Basin options

- Glossy White X-Stone 2"H top/basin
- Glossy White X-Stone 4-1/2" H Trough sink
- Quartzstone 3/4" H countertop with undermount X-Stone XT-2015-WH
- Quartzstone 3"H countertop with undermount ceramic basin

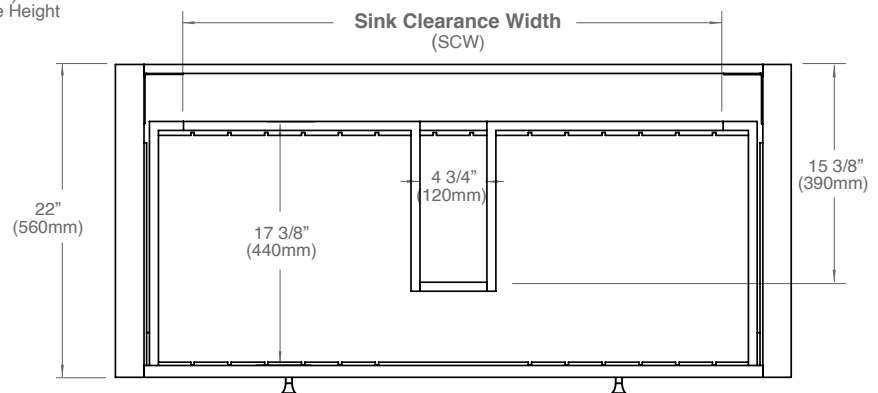
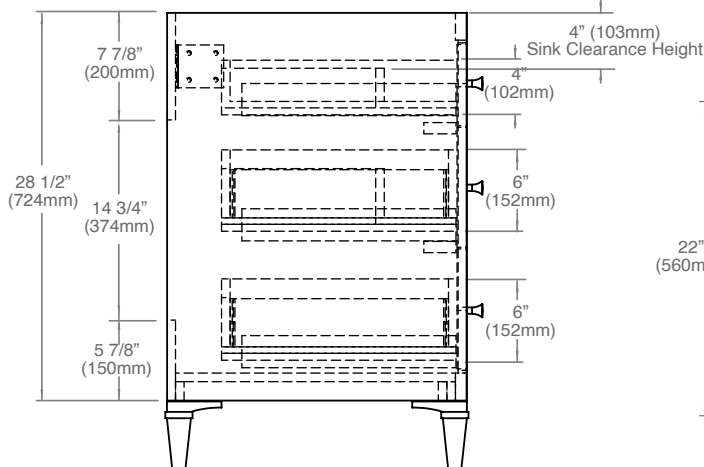
NOTE: All 3/4" countertops with undermount sinks including Madeli's Quartzstone QST2208 collection must be used with the XT-2015 basin on B855/B865/B856/B866 vanities.



SIDE VIEW



TOP VIEW



MODEL	CW	SCW	Package Dimensions	Weight
B870/B871/B872-24-00X-XX	23 5/8" (600mm)	14" (356mm)	28"(711) x 26"(660) x 33"(838)	110 lbs / 50 Kgs
B870/B871/B872-30-00X-XX	29 5/8" (753mm)	20" (509mm)	34"(864) x 26"(660) x 33"(838)	130 lbs / 59 Kgs
B870/B871/B872-36-00X-XX	35 5/8" (905mm)	26" (661mm)	40"(1016) x 26"(660) x 33"(838)	145 lbs / 66 Kgs
B870/B871/B872-42-00X-XX	41 5/8" (1058mm)	32" (814mm)	46"(1168) x 26"(660) x 33"(838)	165 lbs / 75 Kgs
B870/B871/B872-48C-00X-XX	47 5/8" (1210mm)	38" (966mm)	52"(1321) x 26"(660) x 33"(838)	172 lbs / 78 Kgs

For clarification, please contact Madeli Customer Care at (800) 819-6988 Ext.1 or service@madeli.com

All dimensions are approximate and subject to standard tolerance. Specifications subject to change without prior notice.

Legacy/Classique/Heirloom - 48" - Double Bowl

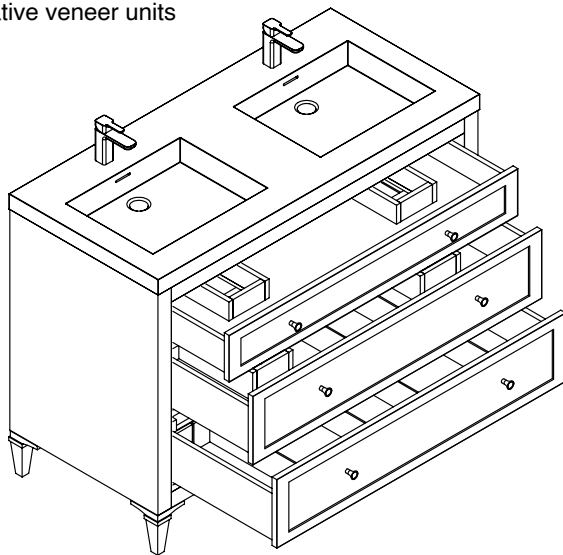
Cabinet Specifications

Features

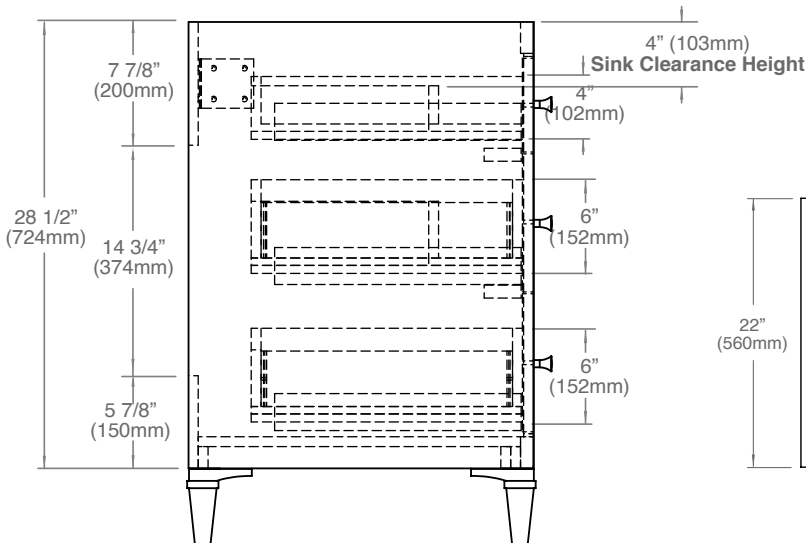
- Free Standing Vanity
- Three fully adjustable drawers with full-extension soft-close European hardware.
- Middle and Bottom drawers include adjustable tempered glass dividers
- Furniture grade plywood or moisture-resistant wood composite construction
- Finished with a sealed, decorative veneer or with premium polyurethane solid color paints
- Knob finish options: polished chrome (PC), brushed nickel (BN), polished nickel (PN), matte black (MB) and satin brass (SB)
- Feet furnished separately for field installation.

Drawer Boxes

- Matching color for solid color units
- Light grey for wood veneer units
- Solid wood with dovetail joints for decorative veneer units



SIDE VIEW



Top/Basin options

- Glossy White X-Stone 2"H top/basin
- Glossy White X-Stone 4-1/2" H Trough sink
- Quartzstone 3/4" H countertop with undermount X-Stone XT-2015-WH
- Quartzstone 3"H countertop with undermount ceramic basin

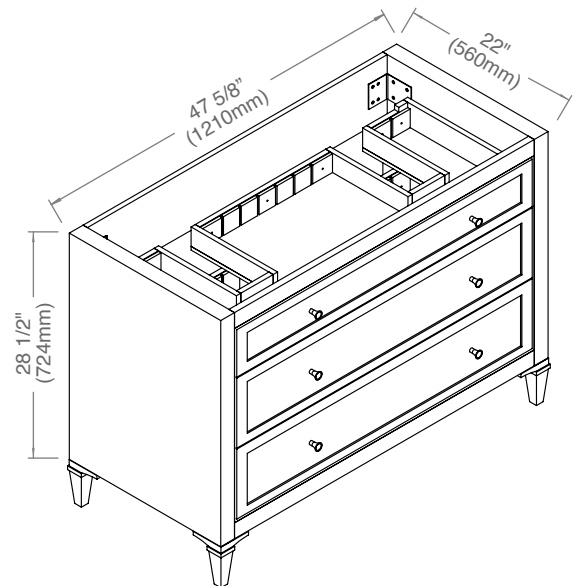
Package Dimensions

52"(1321mm) x 26"(660mm) x 36"(914mm)

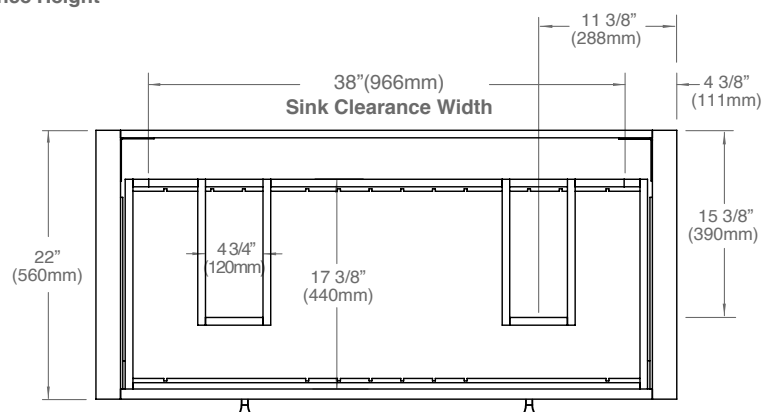
Weight

172 lbs / 78 kgs.

NOTE: All 3/4" countertops with undermount sinks including Madeli's Quartzstone QST2208 collection must be used with the XT-2015 basin on B855/B865/B856/B866 vanities.



TOP VIEW



Legacy/Classique/Heirloom - 60" - Single Bowl

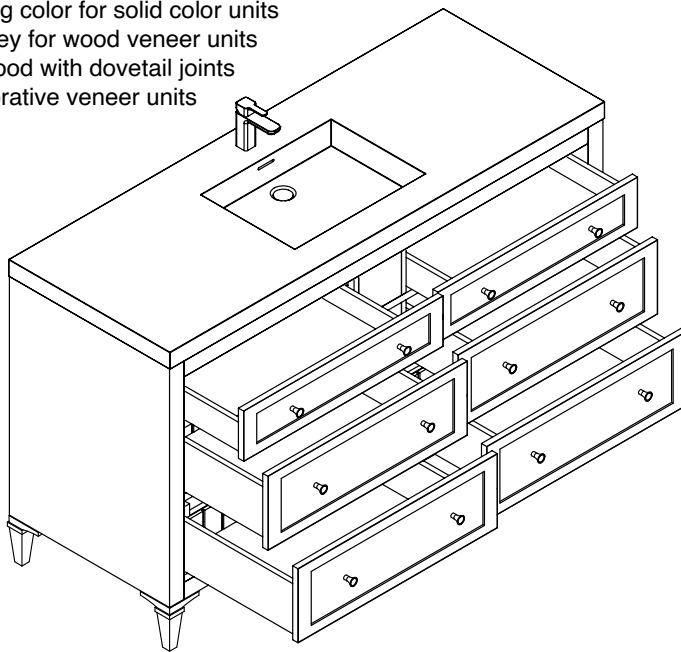
Cabinet Specifications

Features

- Free Standing Vanity
- Six fully adjustable drawers with full-extension soft-close European hardware.
- Middle and Bottom drawers include adjustable tempered glass dividers
- Furniture grade plywood or moisture-resistant wood composite construction
- Finished with a sealed, decorative veneer or with premium polyurethane solid color paints
- Knob finish options: polished chrome (PC), brushed nickel (BN), polished nickel (PN), matte black (MB) and satin brass (SB)
- Feet furnished separately for field installation.

Drawer Boxes

- Matching color for solid color units
- Light grey for wood veneer units
- Solid wood with dovetail joints for decorative veneer units



Top/Basin options

- Glossy White X-Stone 2"H top/basin
- Glossy White X-Stone 4-1/2" H Trough sink
- Quartzstone 3/4" H countertop with undermount X-Stone XT-2015-WH
- Quartzstone 3"H countertop with undermount ceramic basin

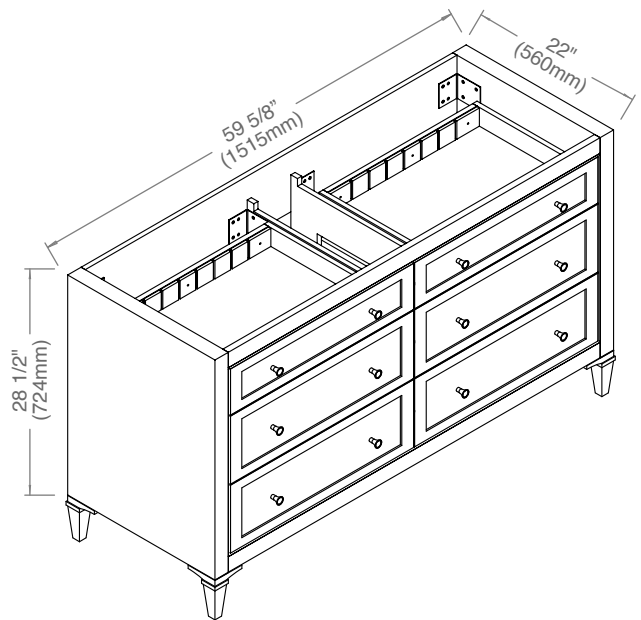
Package Dimensions

64"(1625mm) x 26"(660mm) x 36"(914mm)

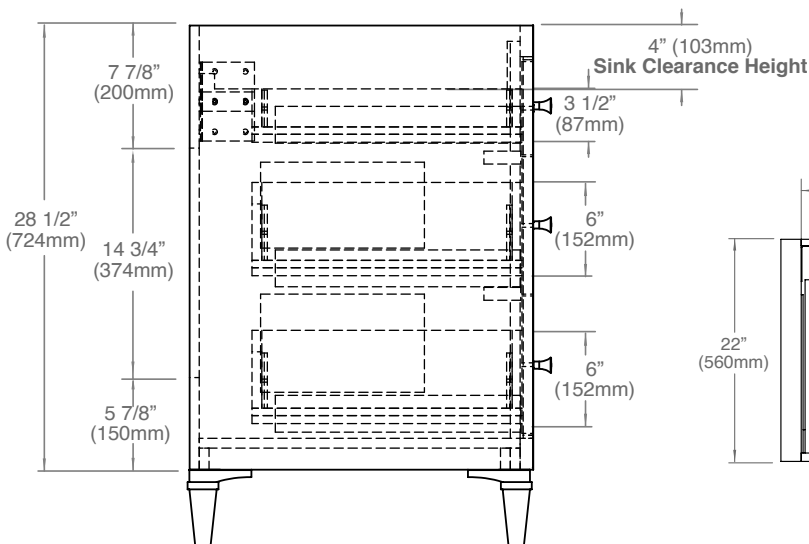
Weight

238 lbs / 108 kgs.

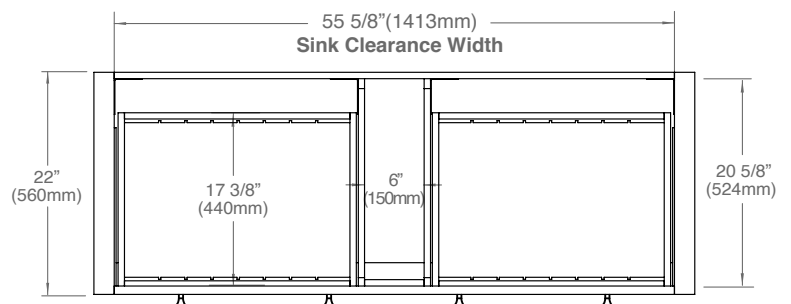
NOTE: All 3/4" countertops with undermount sinks including Madeli's Quartzstone QST2208 collection must be used with the XT-2015 basin on B855/B865/B856/B866 vanities.



SIDE VIEW



TOP VIEW



For clarification, please contact Madeli Customer Care at (800) 819-6988 Ext.1 or service@madeli.com
 All dimensions are approximate and subject to standard tolerance. Specifications subject to change without prior notice.

Legacy/Classique/Heirloom - 60"/72" Double Bowl

Cabinet Specifications

Features

- Free Standing Vanity
- Six fully adjustable drawers with full-extension soft-close European hardware.
- Middle and Bottom drawers include adjustable tempered glass dividers
- Furniture grade plywood or moisture-resistant wood composite construction
- Finished with a sealed, decorative veneer or with premium polyurethane solid color paints
- Knob finish options: polished chrome (PC), brushed nickel (BN), polished nickel (PN), matte black (MB) and satin brass (SB)
- Feet furnished separately for field installation.

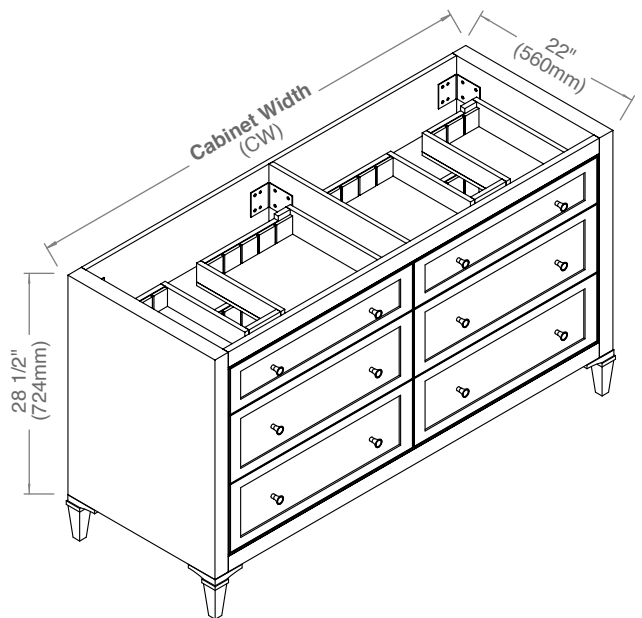
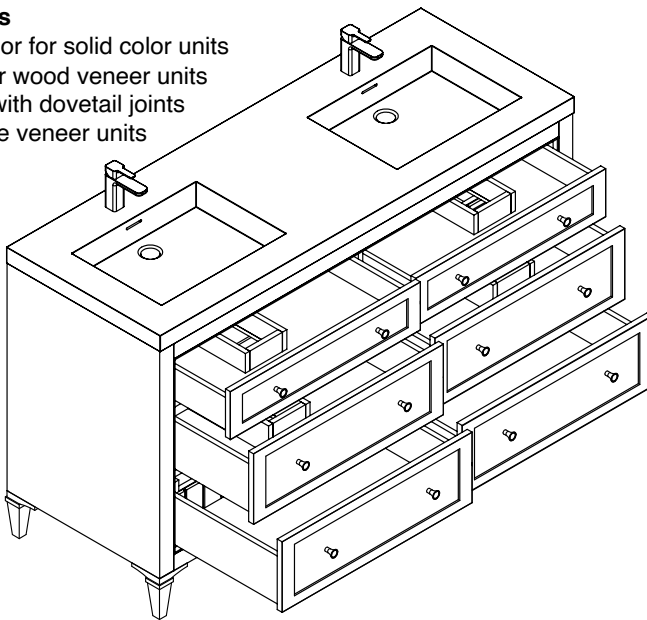
Drawer Boxes

- Matching color for solid color units
- Light grey for wood veneer units
- Solid wood with dovetail joints for decorative veneer units

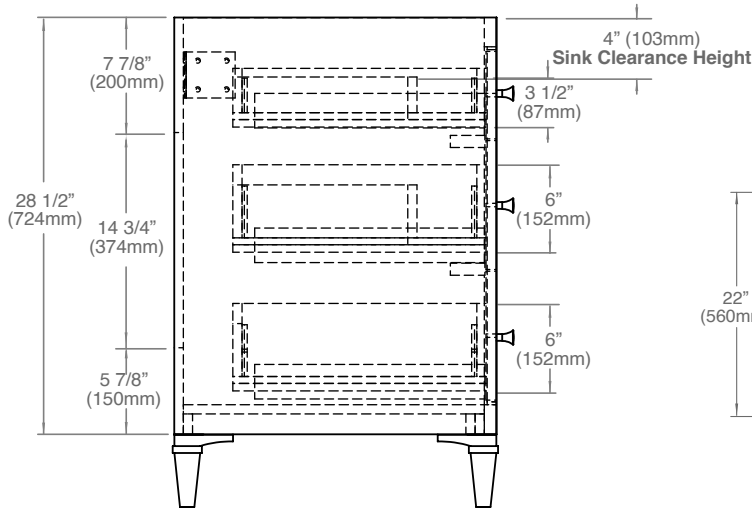
Top/Basin options

- Glossy White X-Stone 2"H top/basin
- Glossy White X-Stone 4-1/2" H Trough sink
- Quartzstone 3/4" H countertop with undermount X-Stone XT-2015-WH
- Quartzstone 3"H countertop with undermount ceramic basin

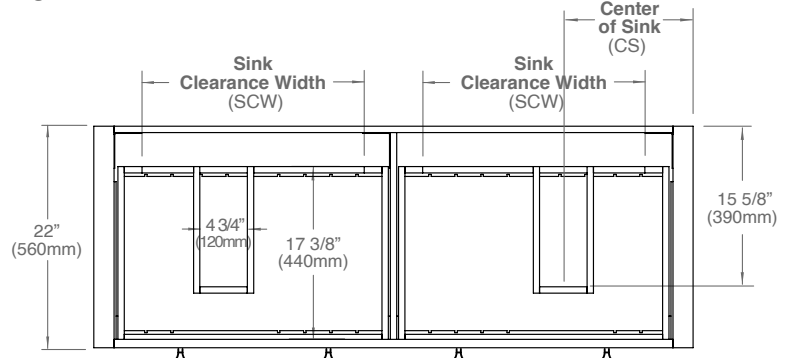
NOTE: All 3/4" countertops with undermount sinks including Madeli's Quartzstone QST2208 collection must be used with the XT-2015 basin on B855/B865/B856/B866 vanities.



SIDE VIEW



TOP VIEW



MODEL	CW	CS	SCW	Package Dimensions	Weight
B870/B871/B872-60D-00X-XX	59 5/8"(1515mm)	13"(328mm)	22 1/16"(561mm)	64"(1626) x 26"(660) x 33"(838)	238 lbs/108 Kgs
B870/B871/B872-72D-00X-XX	71 5/8"(1820mm)	14 1/2"(368mm)	28 1/16"(714mm)	76"(1930) x 26"(660) x 33"(838)	280 lbs/128 Kgs

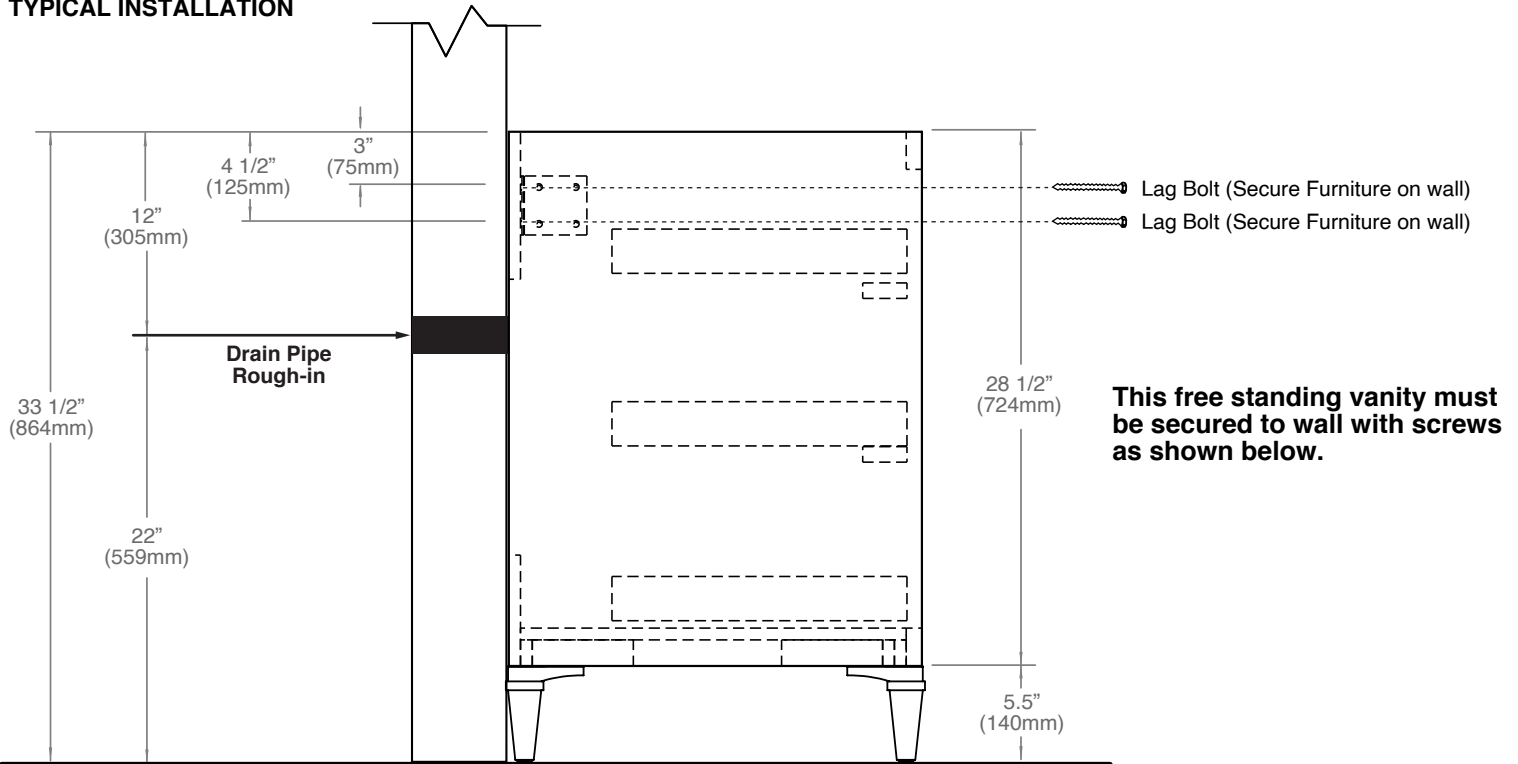
For clarification, please contact Madeli Customer Care at (800) 819-6988 Ext.1 or service@madeli.com

All dimensions are approximate and subject to standard tolerance. Specifications subject to change without prior notice.

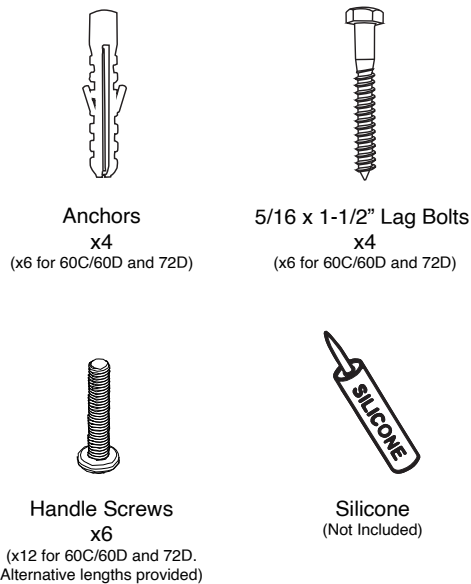
Legacy/Classique/Heirloom - FREE STANDING VANITY

Installation Guide

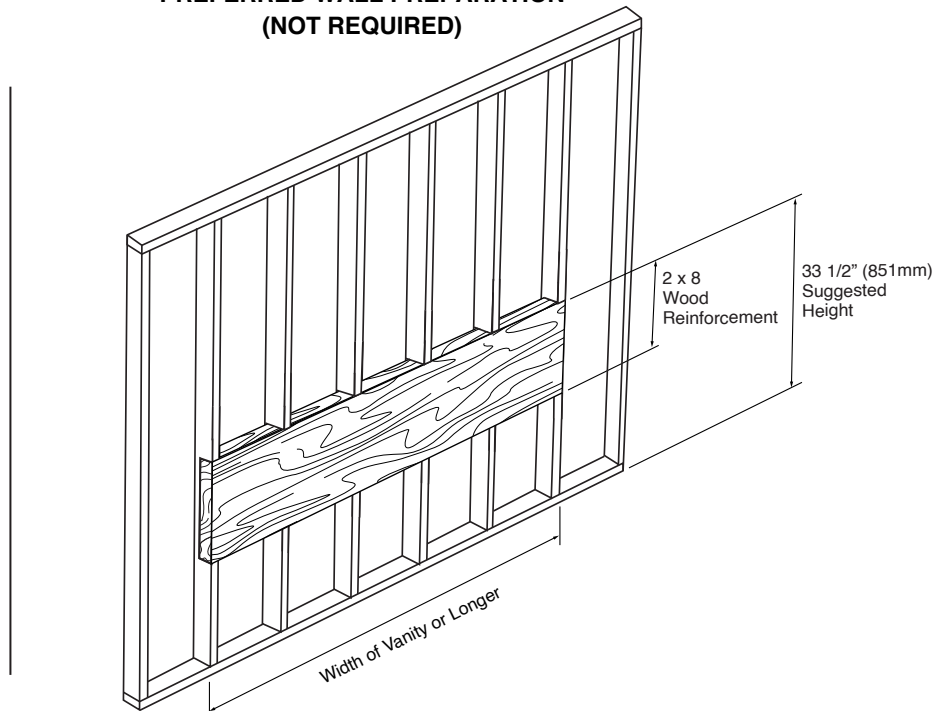
TYPICAL INSTALLATION



ACCESSORIES FOR INSTALLATION



PREFERRED WALL PREPARATION (NOT REQUIRED)



Legacy/Classique/Heirloom - FREE STANDING VANITY

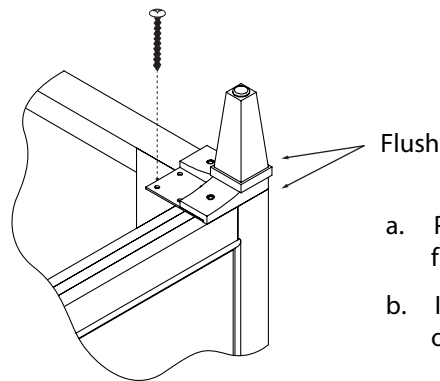
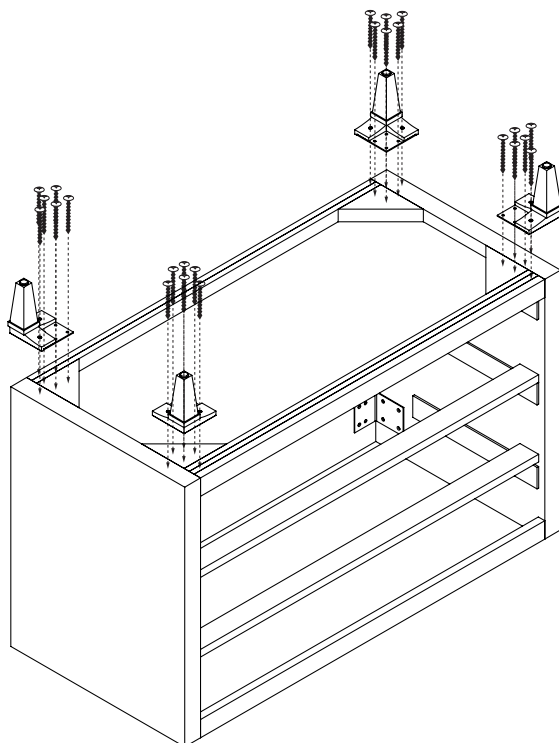
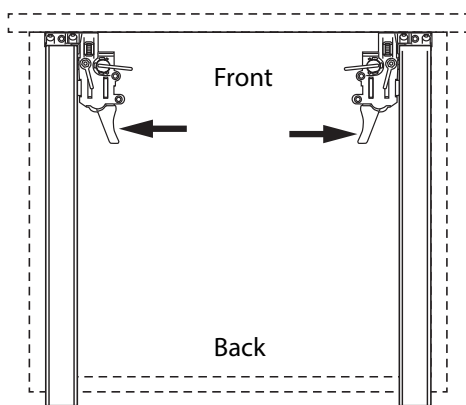
Feet Installation

FEET/BASE INSTALLATION

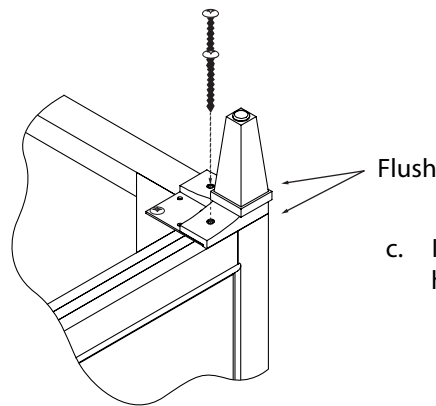
1. Remove all drawers as shown below.
 2. Flip cabinet in the upside down position.
 3. Mark screw locations using legs/base as template.
 4. Pre-drill holes with 5/64", 3/32" or 7/64" drill bit about 1/2" deep.
 5. Using provided screws, fix legs/base to cabinet as shown below.
If using a regular battery drill, set clutch to minimum and increase setting as needed.
- DO NOT OVER TIGHTEN THE SCREWS. DOING SO WILL SPLIT THE WOOD SIDE PANEL.**

Remove all drawers by pulling the two levers below the drawer box.

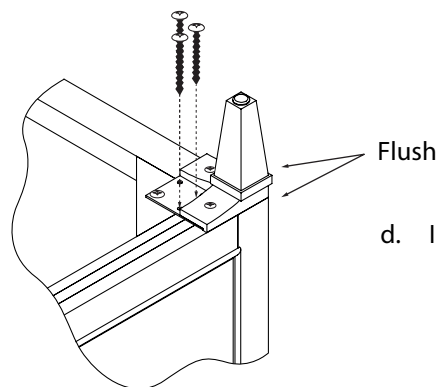
Bottom View of Drawer



- a. Place foot flush with the front and side of the cabinet
- b. Install the first screw at the end of the plate.



- c. Install the two side screws while holding the foot in place



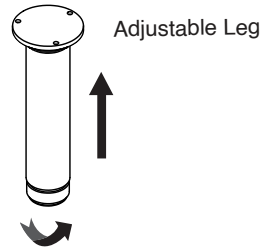
- d. Install the rest of the screws

Legacy/Classique/Heirloom - FREE STANDING VANITY

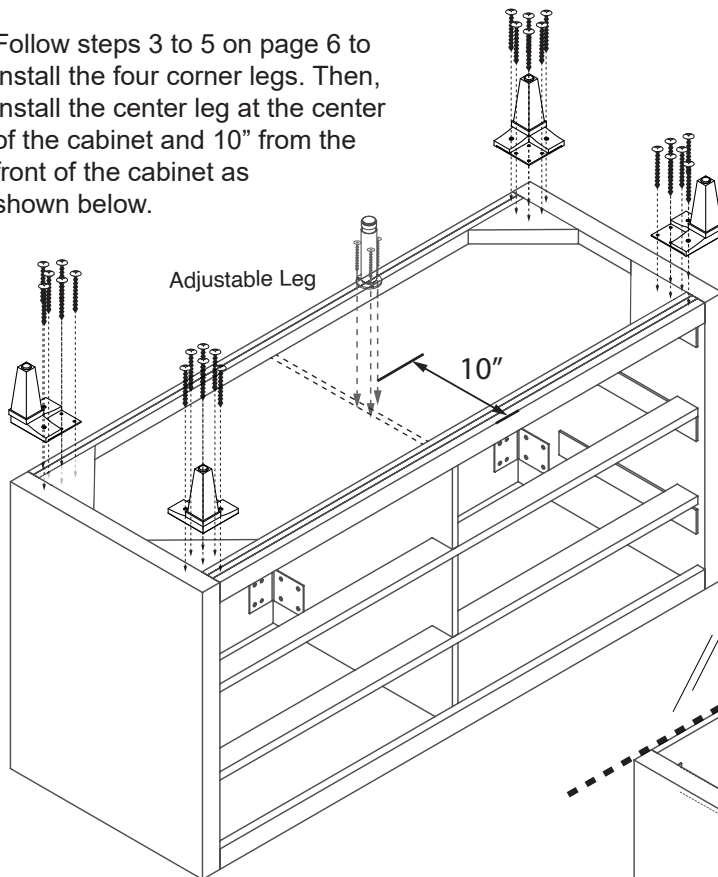
Center (Adjustable) Feet Installation

ALL FREESTANDING VANITIES - 48" TO 72" - MUST BE INSTALLED USING THE CENTER LEG

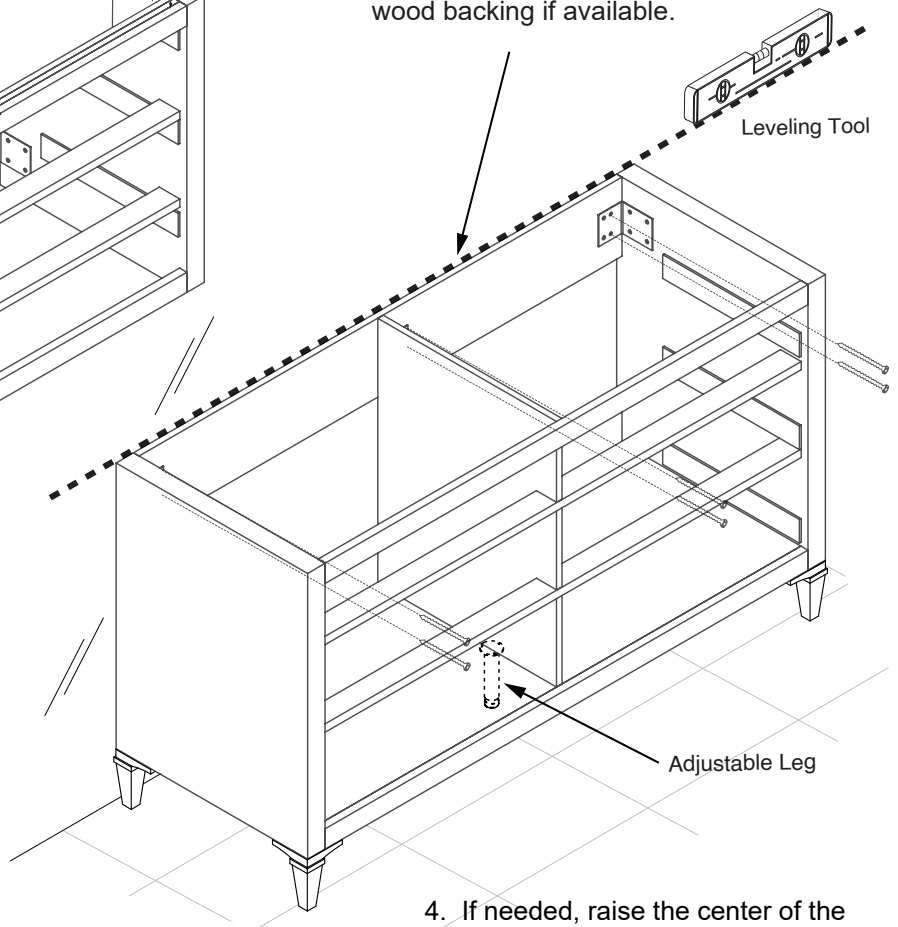
1. Turn the adjustable leg in order to contract it completely.



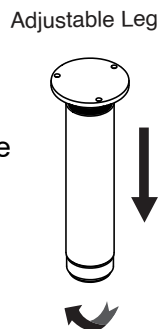
2. Follow steps 3 to 5 on page 6 to install the four corner legs. Then, install the center leg at the center of the cabinet and 10" from the front of the cabinet as shown below.



3. Make sure the back of the cabinet is leveled and straight before securing it to the wall studs or wood backing if available.



5. Turn the adjustable leg or uncrew it in order to expand it and to raise the cabinet as needed.



4. If needed, raise the center of the cabinet before securing the center to the wall using the adjustable leg as shown in step 5.

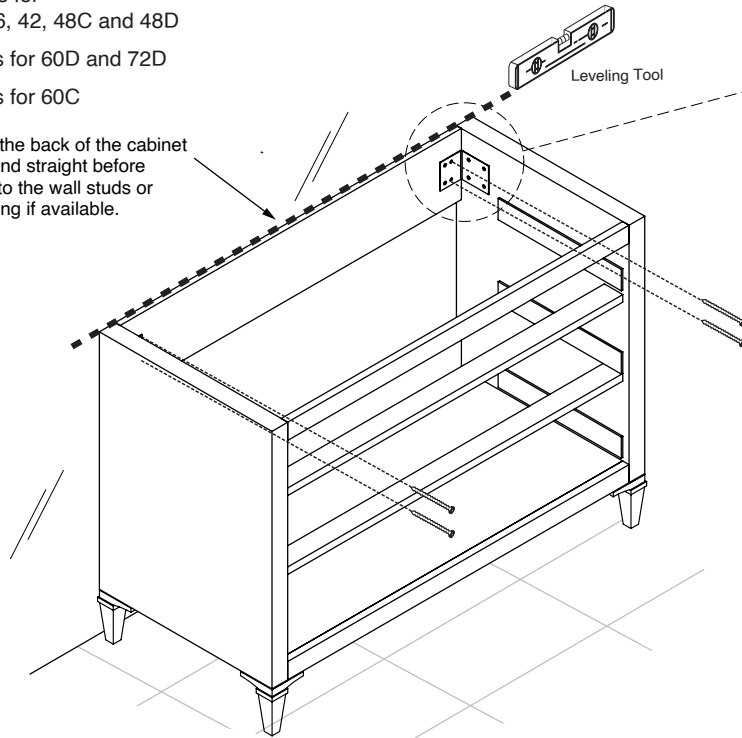
Legacy/Classique/Heirloom - FREE STANDING VANITY

Installation Guide

SECURE CABINET TO WALL

- 4 lag bolts for 24, 30, 36, 42, 48C and 48D
- 6 lag bolts for 60D and 72D
- 8 lag bolts for 60C

Make sure the back of the cabinet is leveled and straight before securing it to the wall studs or wood backing if available.



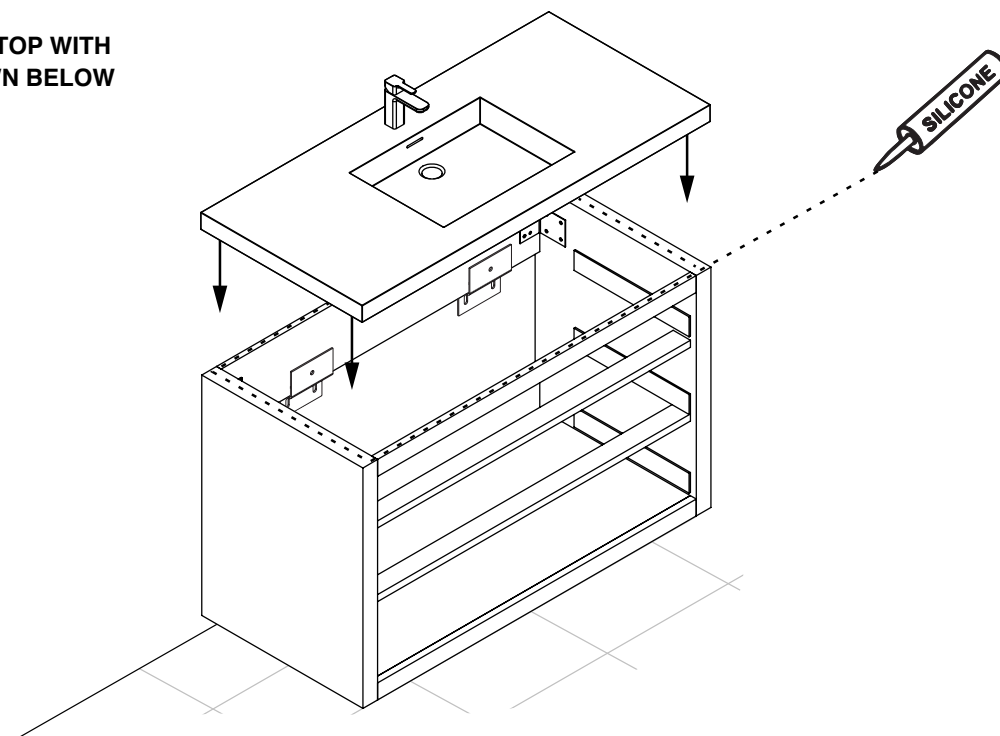
IMPORTANT: Field installation conditions often include **out-of-plumb walls** and **uneven floors**, requiring corrective measures for proper alignment.

Walls: Use **shims** to compensate for irregularities such as bowing or deviation from plumb. Position shims behind mounting points to achieve a true vertical and horizontal plane.

Floors: Utilize **provided adjustable leveling leg** to correct floor slope or height variations. Confirm leg adjustment with a level across the cabinet base and back.

Final Check: Ensure the vanity is both **level and straight (horizontal)** and **plumb (vertical)** before securing. Failure to correct these conditions may result in misalignment, stress on joints, and compromised installation integrity.

INSTALL COUNTERTOP WITH SILICONE AS SHOWN BELOW

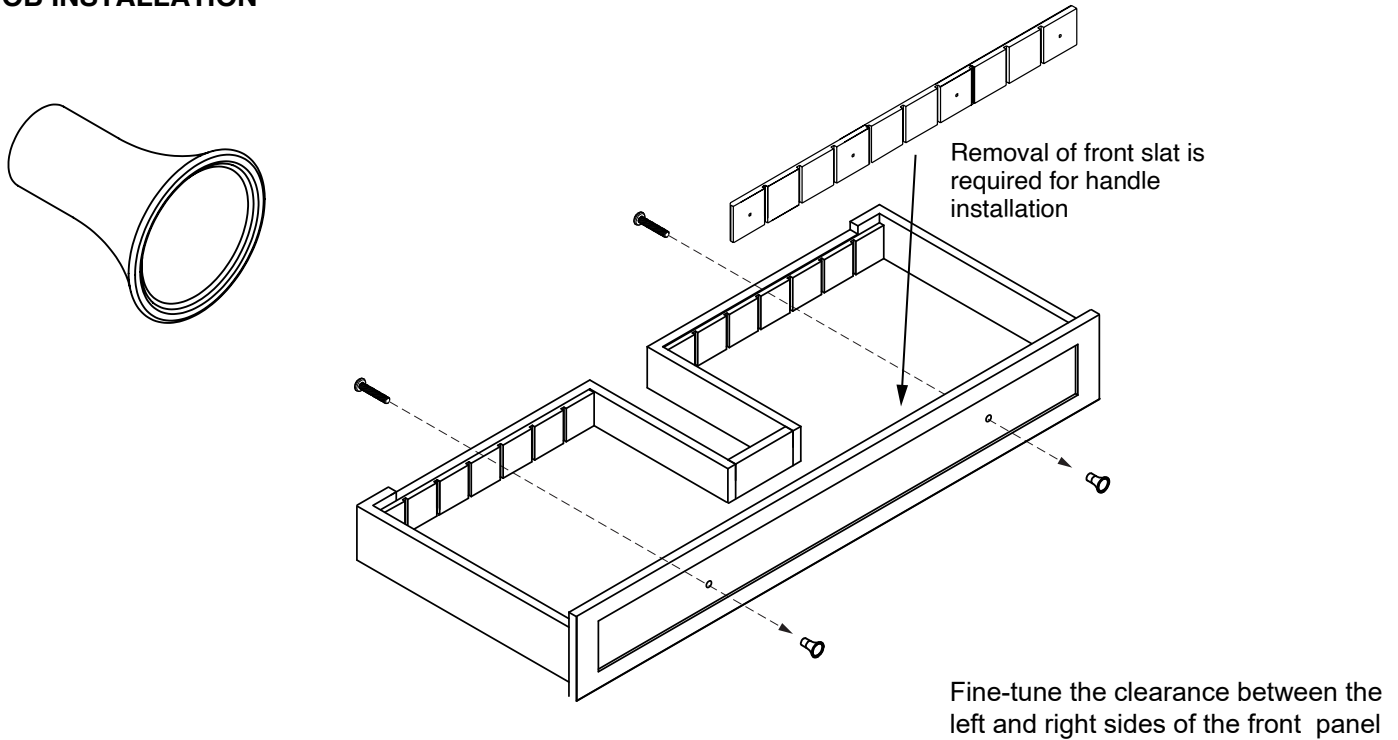


For clarification, please contact Madeli Customer Care at (800) 819-6988 Ext.1 or service@madeli.com
All dimensions are approximate and subject to standard tolerance. Specifications subject to change without prior notice.

Legacy/Classique/Heirloom - FREE STANDING VANITY

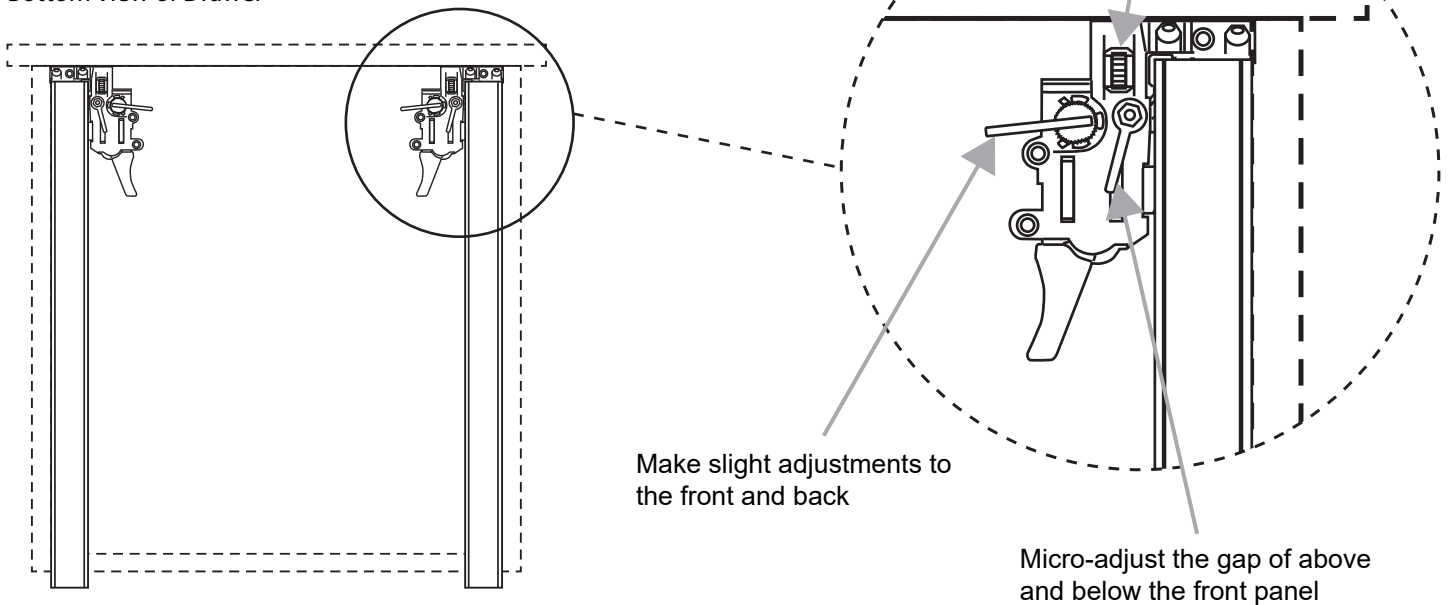
Installation Guide

KNOB INSTALLATION



DRAWER ADJUSTMENT

Bottom View of Drawer





M A D E L I
Functional Elegance