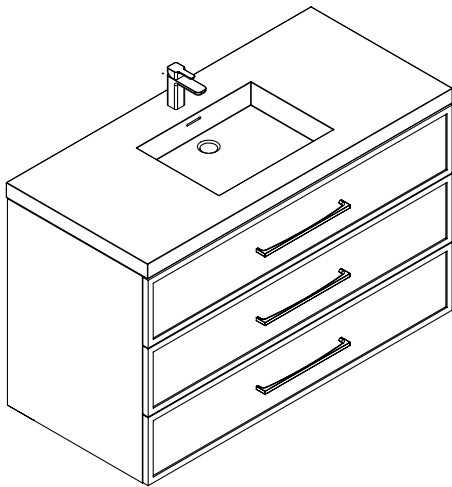


## Specifications and Installation Guide

### B825-Legend Wall Hung Vanity Collection

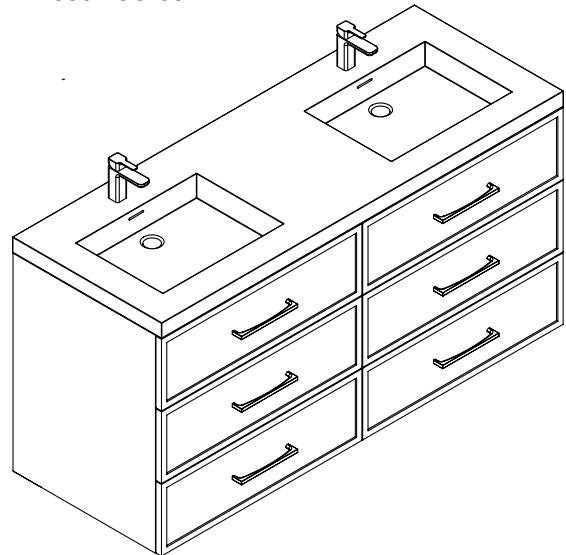
#### Models

- B825-24-002-XX
- B825-30-002-XX
- B825-36-002-XX
- B825-42-002-XX
- B825-48C-002-XX
- B825-48D-002-XX
- B825-60C-002-XX
- B825-60D-002-XX
- B825-72D-002-XX



### B835-Marquis Free Standing Vanity Collection

- B835-24-001-XX
- B835-30-001-XX
- B835-36-001-XX
- B835-42-001-XX
- B835-48C-001-XX
- B835-48D-001-XX
- B835-60C-001-XX
- B835-60D-001-XX
- B835-72D-001-XX



### Table of Contents

	Page / Page
Specifications 24/30/36/42/48C.....	2
Specifications 48D.....	3
Specifications 60C.....	4
Specifications 60D/72D.....	5
Typical Installation: <b>Wall Hung</b> /B825-Legend.....	6
Installation Steps: <b>Wall Hung</b> /B825-Legend.....	7-8
Feet/Base Installation: <b>Free Standing</b> /B835-Marquis.....	9
Typical Installation: <b>Free Standing</b> /B835-Marquis.....	10
Center (Adjustable) Feet Installation: <b>Free Standing</b> /B835-48C/48D/60C/60D/72D-Marquis.....	11
Handle Installation and Drawer Adjustment.....	12

For clarification, please contact Madeli Customer Care at (800) 819-6988 Ext.1 or [service@madeli.com](mailto:service@madeli.com)  
 Pour plus de précisions, veuillez contacter le service client Madeli au (800) 819-6988 Ext.1 ou [service@madeli.com](mailto:service@madeli.com)

## Legend/Marquis - 24"/30"/36"/42"/48" - Single Bowl

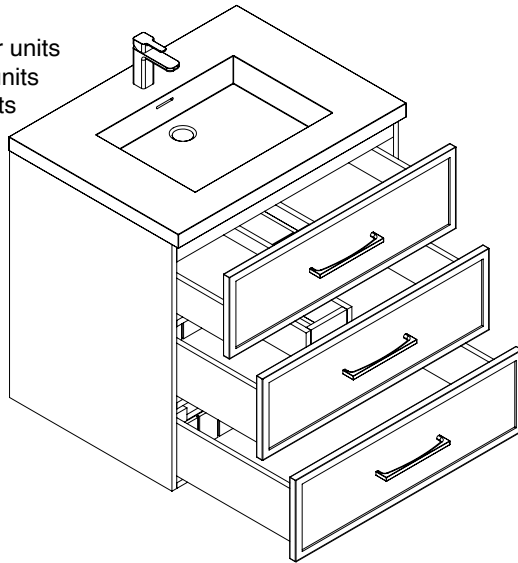
## Cabinet Specifications

### Features

- Legend-Wall Hung Vanity or Marquis-Free Standing Vanity
- Three fully adjustable drawers with full-extension soft-close European hardware.
- Middle and Bottom drawers include adjustable tempered glass dividers
- Furniture grade plywood or moisture-resistant wood composite construction
- Finished with a sealed, decorative veneer or with premium polyurethane solid color paints
- Handle/Feet finish options: polished chrome (PC), brushed nickel (BN), polished nickel (PN), matte black (MB) and satin brass (SB)
- Feet and handles furnished separately for field installation.

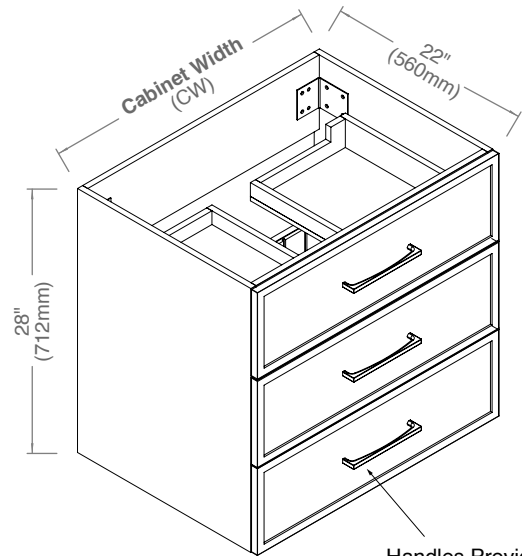
### Drawer Boxes

- Matching color for solid color units
- Light grey for wood veneer units
- Solid wood with dovetail joints for decorative veneer units



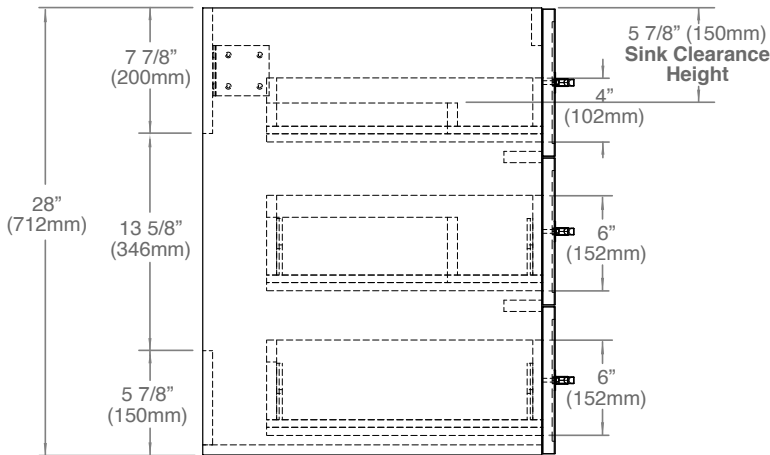
### Top/Basin options

- Ceramic basins
- X-Stone 2"H top/basin
- X-Stone 4-1/2"H Trough sink
- Quartzstone 3/4"H countertop with ceramic basin
- Quartzstone 3"H countertop with ceramic basin

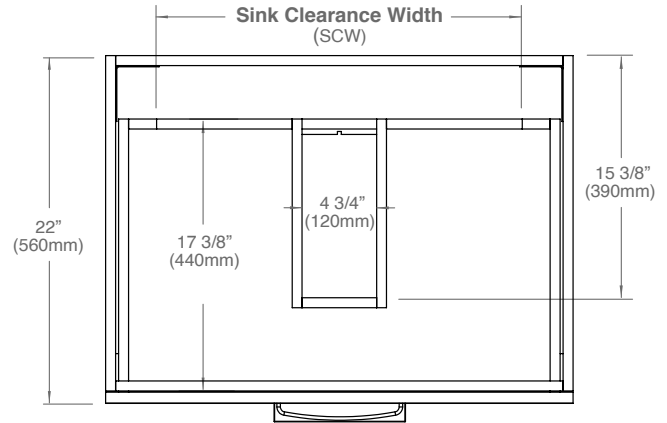


Handles Provided  
To be installed in the field.  
See page 4 and 6

### SIDE VIEW



### TOP VIEW



MODEL	CW	SCW	Package Dimensions	Weight
B825/B835-24-00X-XX	23 5/8" (600mm)	19" (484mm)	26"(660)x25"(635)x31-5/8"(803)	118 lbs / 54 Kgs
B825/B835-30-00X-XX	29 5/8" (753mm)	23 1/8" (589mm)	32"(813)x25"(635)x31-5/8"(803)	136 lbs / 62 Kgs
B825/B835-36-00X-XX	35 5/8" (905mm)	29 1/8" (741mm)	38"(965)x25"(635)x31-5/8"(803)	152 lbs / 69 Kgs
B825/B835-42-00X-XX	41 5/8" (1058mm)	35 1/8" (894mm)	44"(1118)x25"(635)x31-5/8"(803)	162 lbs / 74 Kgs
B825/B835-48C-00X-XX	47 5/8" (1210mm)	41 1/8" (1046mm)	50"(1270)x25"(635)x31-5/8"(803)	187 lbs / 85 Kgs

For clarification, please contact Madeli Customer Care at (800) 819-6988 Ext.1 or [service@madeli.com](mailto:service@madeli.com)

All dimensions are approximate and subject to standard tolerance. Specifications subject to change without prior notice.

## Legend/Marquis - 48" - Double Bowl

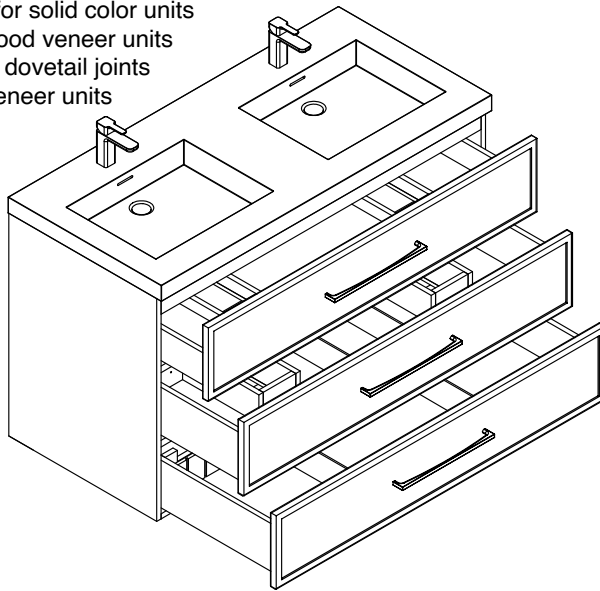
## Cabinet Specifications

### Features

- Legend-Wall Hung Vanity or Marquis-Free Standing Vanity
- Three fully adjustable drawers with full-extension soft-close European hardware.
- Middle and Bottom drawers include adjustable tempered glass dividers
- Furniture grade plywood or moisture-resistant wood composite construction
- Finished with a sealed, decorative veneer or with premium polyurethane solid color paints
- Handle/Feet finish options: polished chrome (PC), brushed nickel (BN), polished nickel (PN), matte black (MB) and satin brass (SB)
- Feet and handles furnished separately for field installation.

### Drawer Boxes

- Matching color for solid color units
- Light grey for wood veneer units
- Solid wood with dovetail joints for decorative veneer units



SIDE VIEW

### Top/Basin options

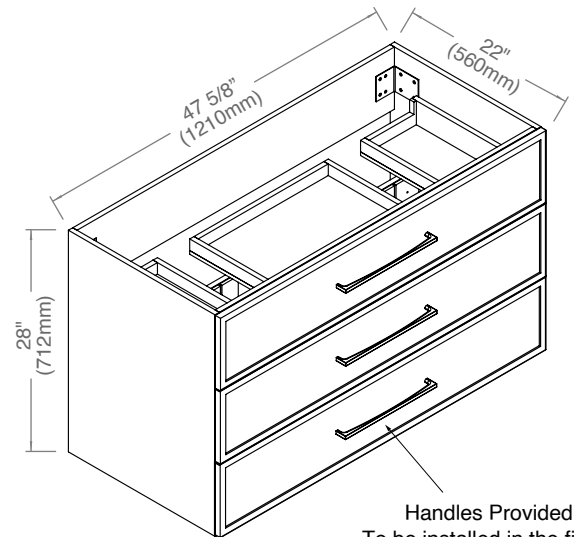
- X-Stone 2"H top/basin
- X-Stone 4-1/2"H Trough sink

### Package Dimensions

50"(1270mm) x 25"(635) x 31-5/8"(803)

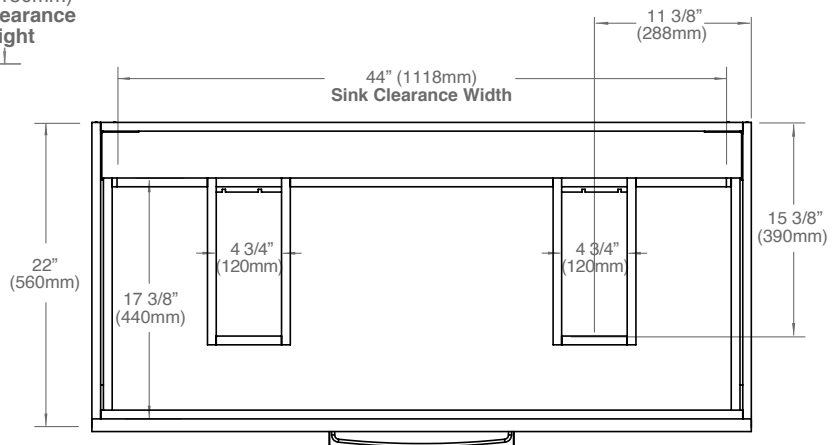
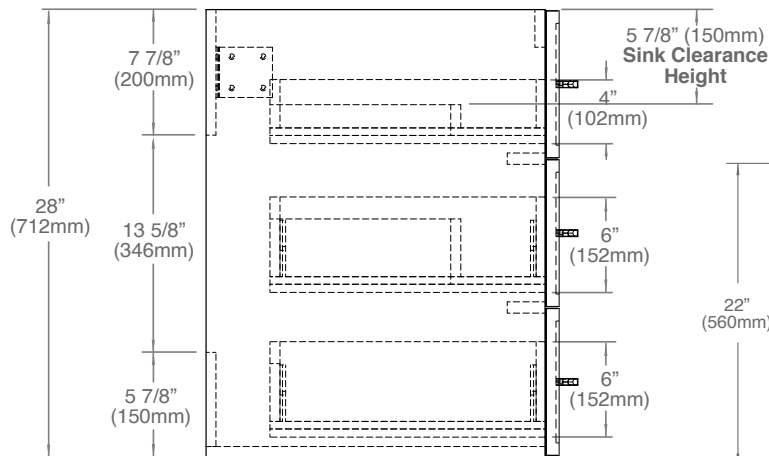
### Weight

187 lbs / 85 kgs



Handles Provided  
To be installed in the field.  
See page 4 and 6

TOP VIEW



## Legend/Marquis - 60" - Single Bowl

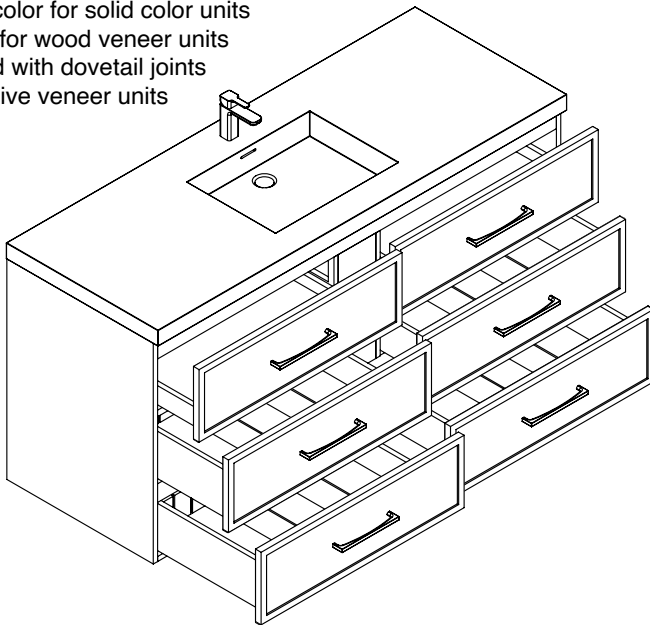
## Cabinet Specifications

### Features

- Legend-Wall Hung Vanity or Marquis-Free Standing Vanity
- Six fully adjustable drawers with full-extension soft-close European hardware.
- Middle and Bottom drawers include adjustable tempered glass dividers
- Furniture grade plywood or moisture-resistant wood composite construction
- Finished with a sealed, decorative veneer or with premium polyurethane solid color paints
- Handle/Feet finish options: polished chrome (PC), brushed nickel (BN), polished nickel (PN), matte black (MB) and satin brass (SB)
- Feet and handles furnished separately for field installation.

### Drawer Boxes

- Matching color for solid color units
- Light grey for wood veneer units
- Solid wood with dovetail joints for decorative veneer units



SIDE VIEW

### Top/Basin options

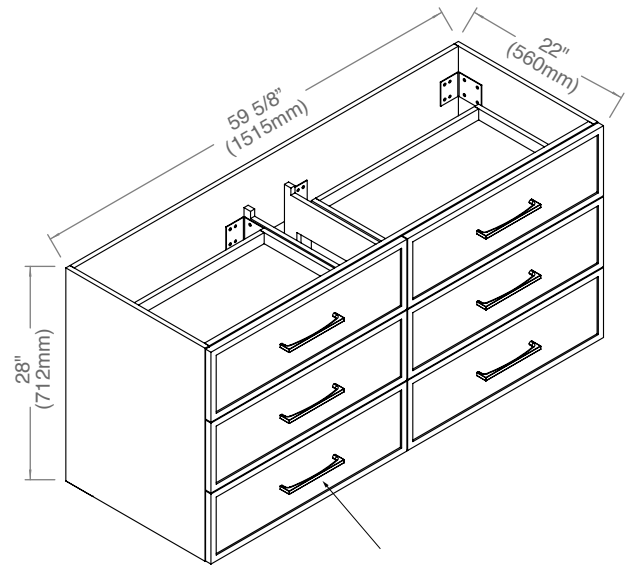
- Ceramic basins
- X-Stone 2"H top/basin
- X-Stone 4-1/2"H Trough sink
- X-Stone 3/4"H countertop with ceramic basin
- Quartzstone 3"H countertop with ceramic basin

### Package Dimensions

62" (1275mm) x 25" (635) x 31-5/8" (803)

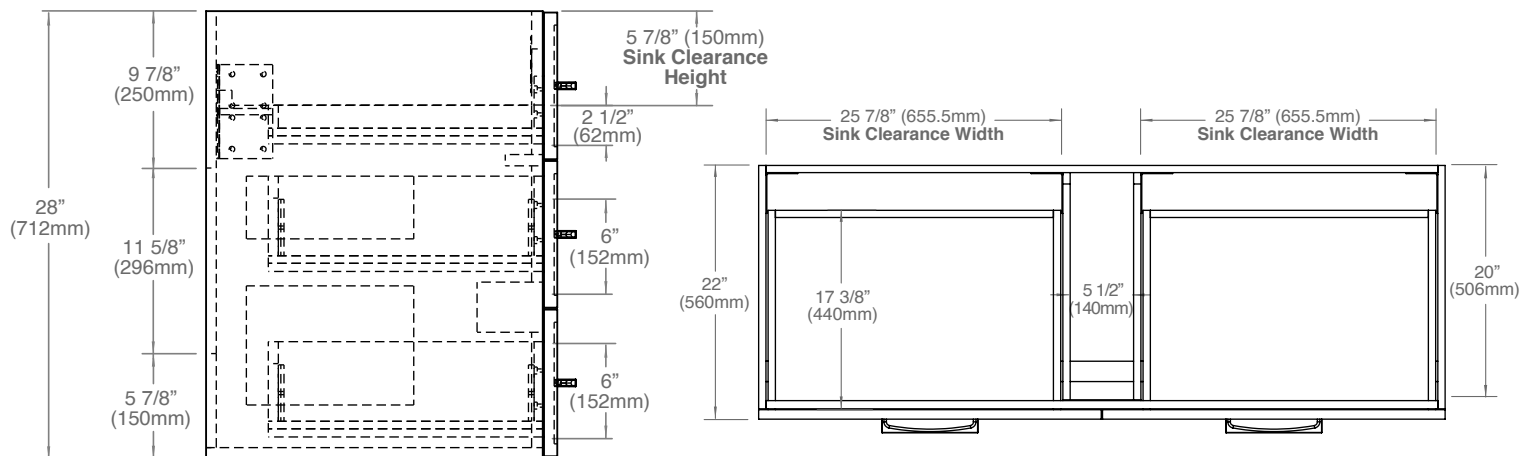
### Weight

207 lbs / 94 kgs



Handles Provided  
To be installed in the field.  
See page 4 and 6

### TOP VIEW



For clarification, please contact Madeli Customer Care at (800) 819-6988 Ext.1 or [service@madeli.com](mailto:service@madeli.com)

All dimensions are approximate and subject to standard tolerance. Specifications subject to change without prior notice.

## Legend/Marquis - 60"/72" - Double Bowl

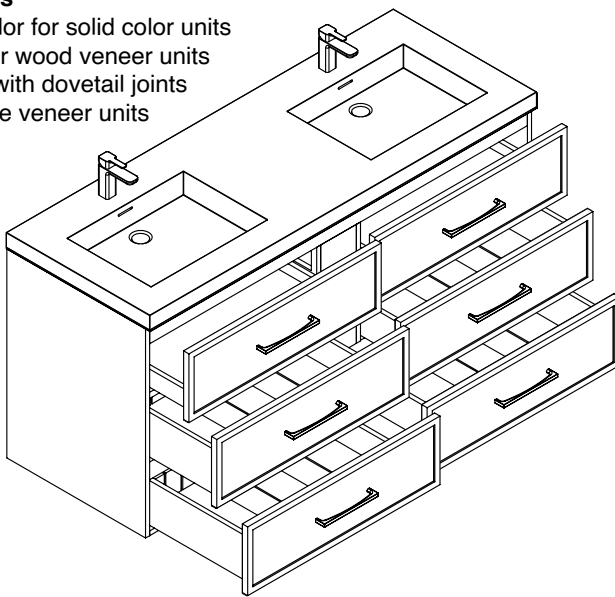
## Cabinet Specifications

### Features

- Legend-Wall Hung Vanity or Marquis-Free Standing Vanity
- Six fully adjustable drawers with full-extension soft-close European hardware.
- Middle and Bottom drawers include adjustable tempered glass dividers
- Furniture grade plywood or moisture-resistant wood composite construction
- Finished with a sealed, decorative veneer or with premium polyurethane solid color paints
- Handle/Feet finish options: polished chrome (PC), brushed nickel (BN), polished nickel (PN), matte black (MB) and satin brass (SB)
- Feet and handles furnished separately for field installation.

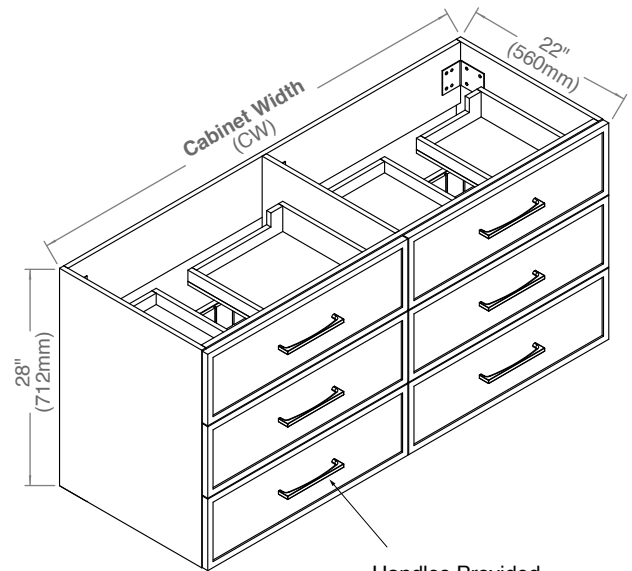
### Drawer Boxes

- Matching color for solid color units
- Light grey for wood veneer units
- Solid wood with dovetail joints for decorative veneer units



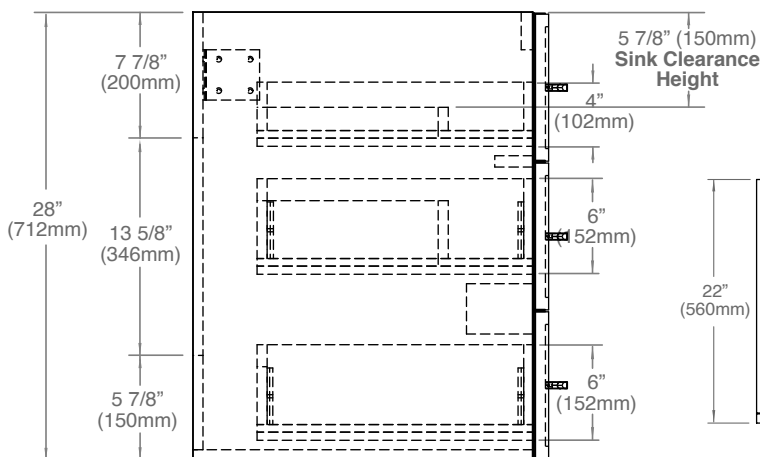
### Top/Basin options

- Ceramic basins
- X-Stone 2"H top/basin
- X-Stone 4-1/2"H Trough sink
- Quartzstone 3/4"H countertop with ceramic basin
- Quartzstone 3"H countertop with ceramic basin

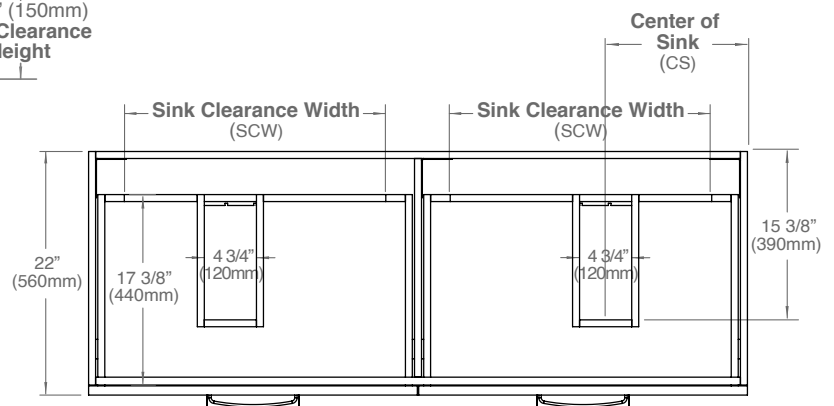


Handles Provided  
To be installed in the field.  
See page 4 and 6

### SIDE VIEW



### TOP VIEW



MODEL	CW	SCW	CS	Package Dimensions	Weight
B825/B835-60D-00X-XX	59 5/8" (1515mm)	23 5/8" (602mm)	12 7/8" (326mm)	62"(1575)x25"(635)x31-5/8"(803)	207 lbs / 94 Kgs
B825/B835-72D-00X-XX	71 5/8" (1820mm)	29 5/8" (754mm)	14 3/8" (365mm)	74"(1880)x25"(635)x31-5/8"(803)	233 lbs / 106 Kgs

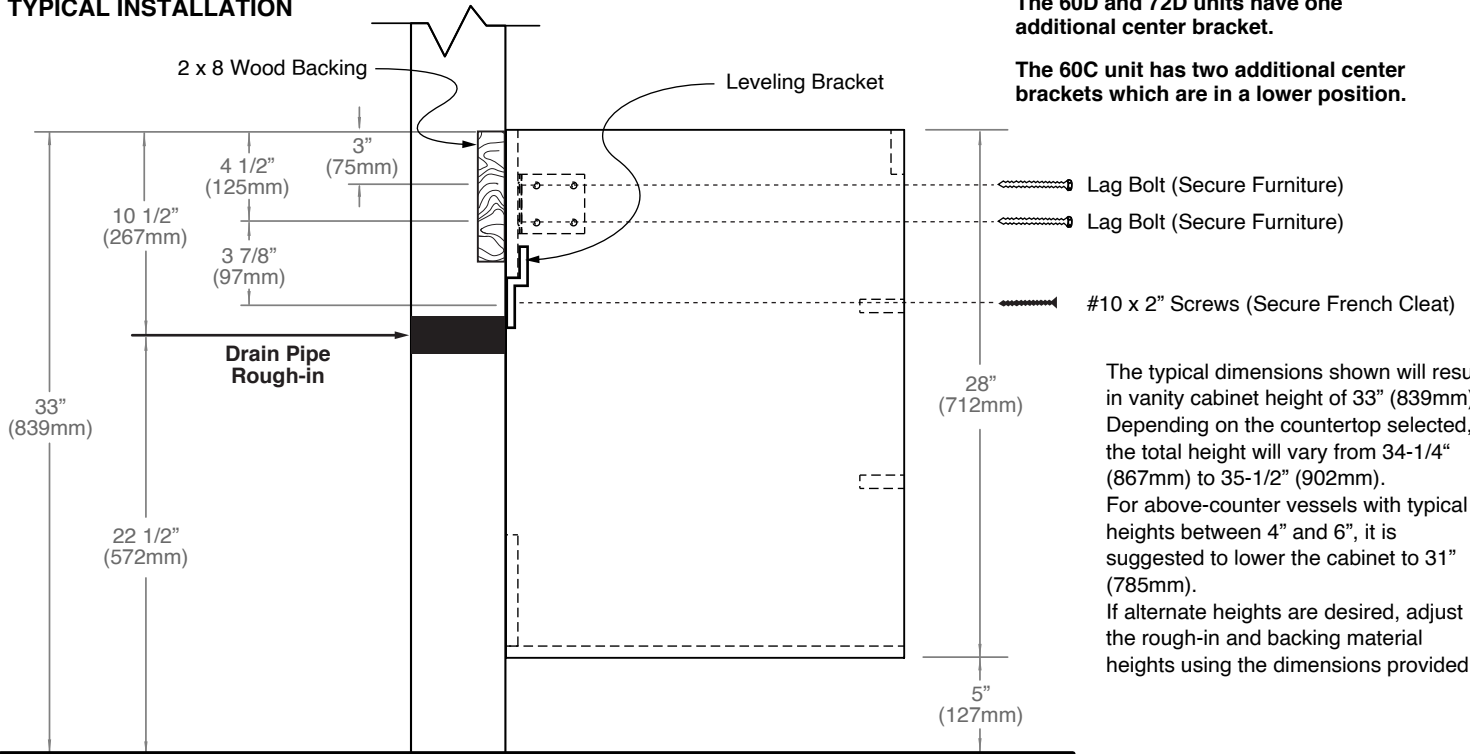
For clarification, please contact Madeli Customer Care at (800) 819-6988 Ext.1 or [service@madeli.com](mailto:service@madeli.com)

All dimensions are approximate and subject to standard tolerance. Specifications subject to change without prior notice.

## Legend - WALL HUNG VANITY

## Installation Guide

### TYPICAL INSTALLATION

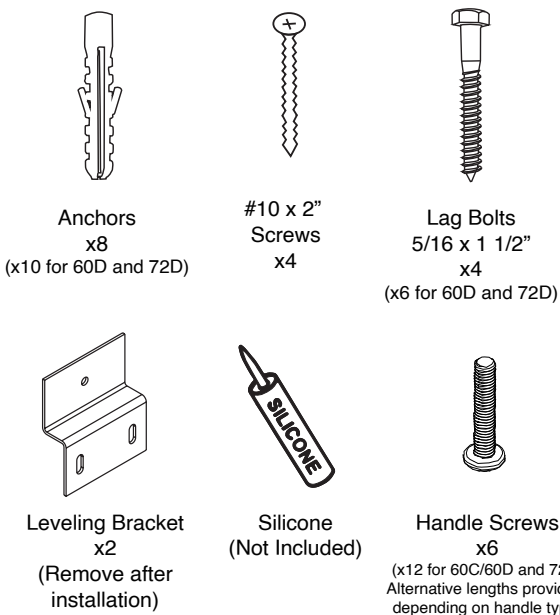


The 60D and 72D units have one additional center bracket.

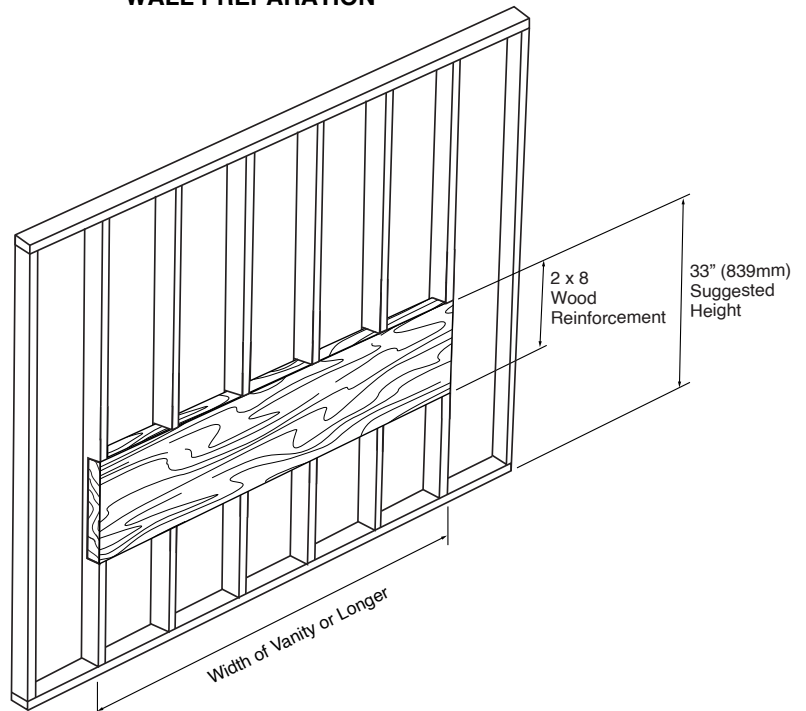
The 60C unit has two additional center brackets which are in a lower position.

The typical dimensions shown will result in vanity cabinet height of 33" (839mm). Depending on the countertop selected, the total height will vary from 34-1/4" (867mm) to 35-1/2" (902mm). For above-counter vessels with typical heights between 4" and 6", it is suggested to lower the cabinet to 31" (785mm). If alternate heights are desired, adjust the rough-in and backing material heights using the dimensions provided.

### ACCESSORIES FOR INSTALLATION



### WALL PREPARATION

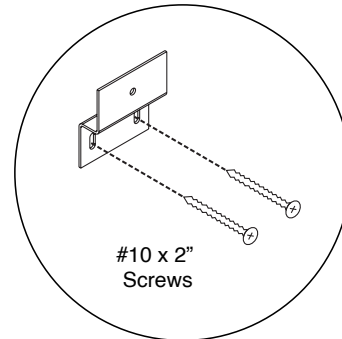
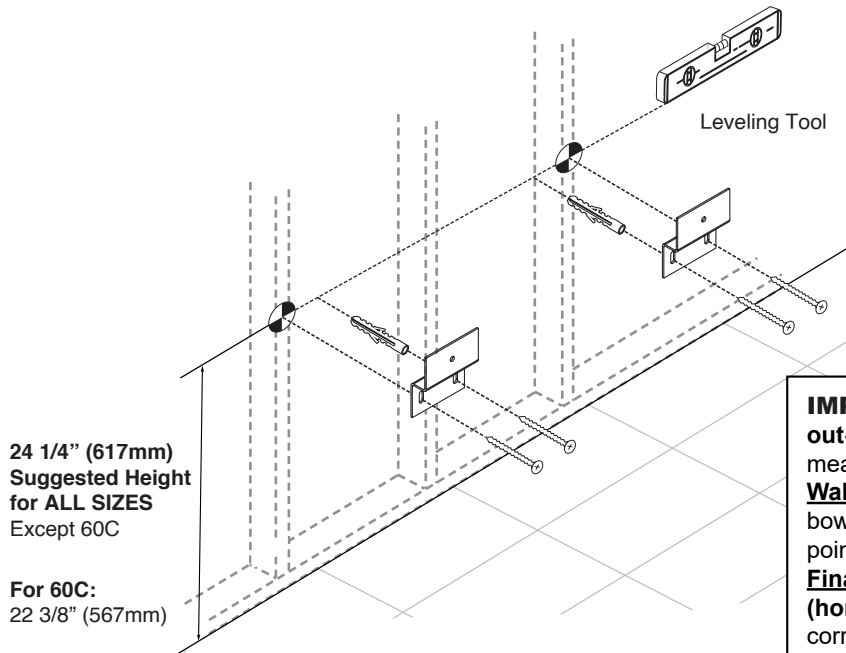


For clarification, please contact Madeli Customer Care at (800) 819-6988 Ext.1 or [service@madeli.com](mailto:service@madeli.com)  
All dimensions are approximate and subject to standard tolerance. Specifications subject to change without prior notice.

## Legend - WALL HUNG VANITY

## Installation Guide

**STEP 1:** Install leveling brackets on studs.



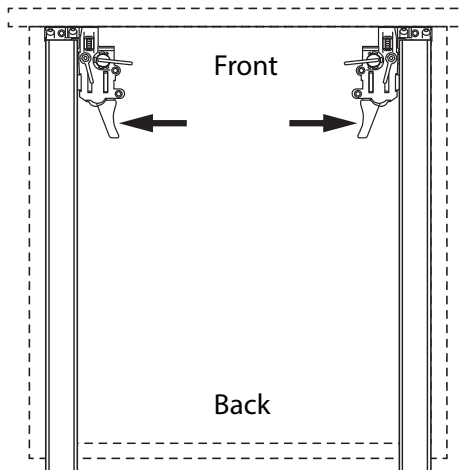
**IMPORTANT:** Field installation conditions often include **out-of-plumb walls** and **uneven floors**, requiring corrective measures for proper alignment.

**Walls:** Use **shims** to compensate for irregularities such as bowing or deviation from plumb. Position shims behind mounting points to achieve a true vertical and horizontal plane.

**Final Check:** Ensure the vanity is both **level and straight (horizontal)** and **plumb (vertical)** before securing. Failure to correct these conditions may result in misalignment, stress on joints, and compromised installation integrity.

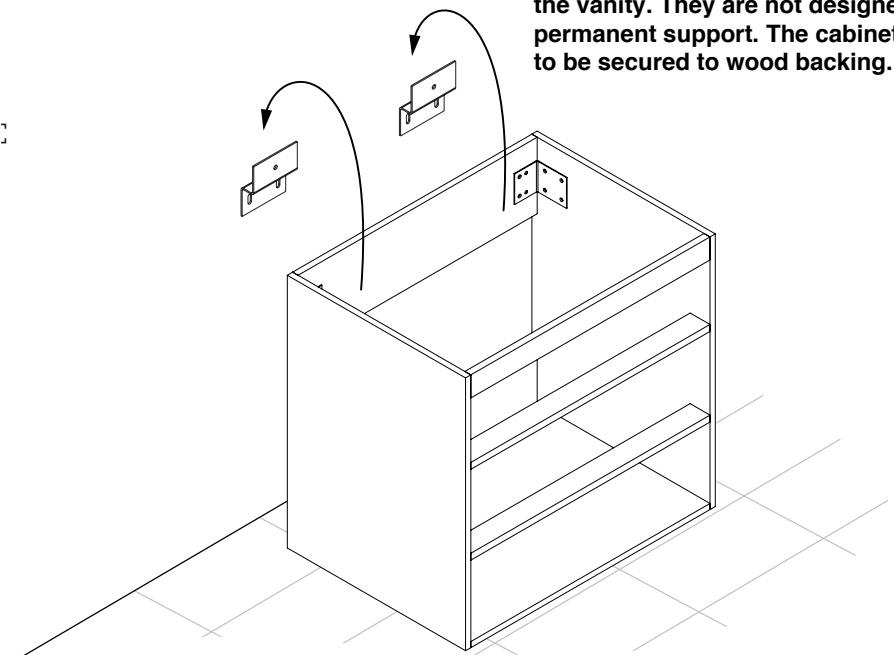
**STEP 2:** Remove all drawers by pulling the two levers below the drawer box.

Bottom View of Drawer



**STEP 3:** Place vanity on leveling bracket.

The leveling brackets are only to level the vanity. They are not designed for permanent support. The cabinet needs to be secured to wood backing.



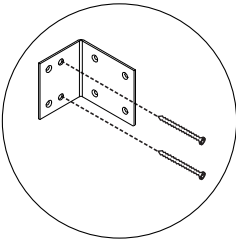
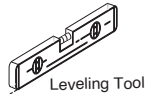
## Legend - WALL HUNG VANITY

## Installation Guide

### STEP 3: Secure vanity to wood reinforcement backing.

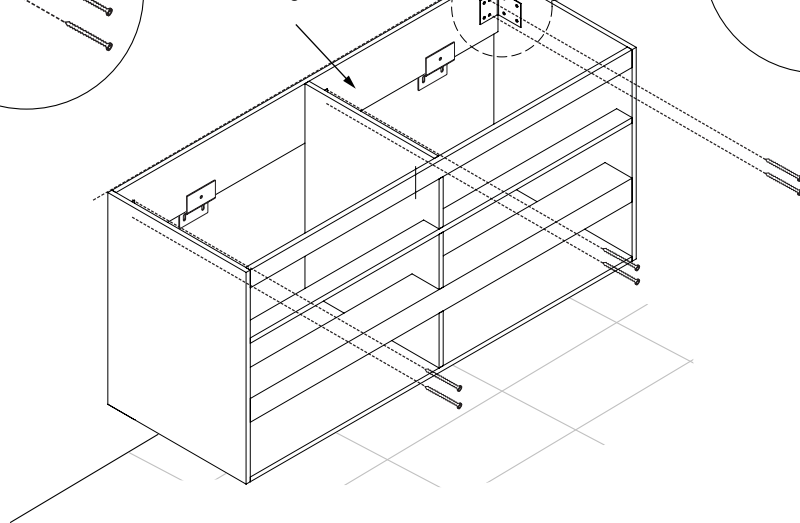
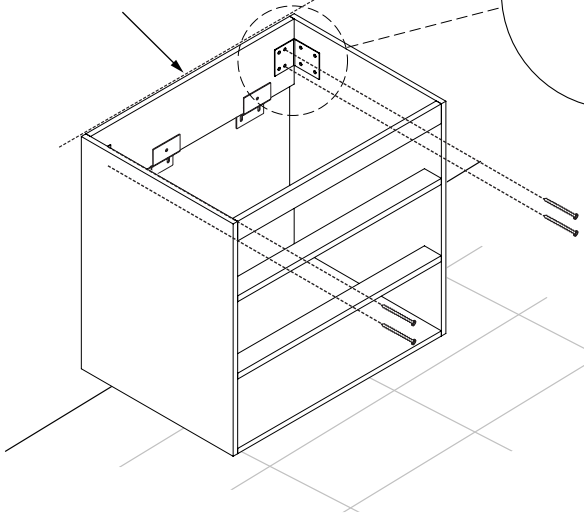
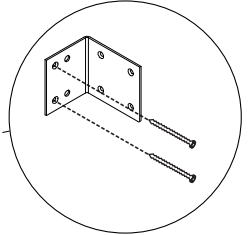
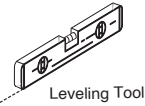
4 lag bolts for  
24, 30, 36, 42, 48C and 48D

Make sure the back of the cabinet is leveled and straight before securing it to the wall studs or wood backing if available.

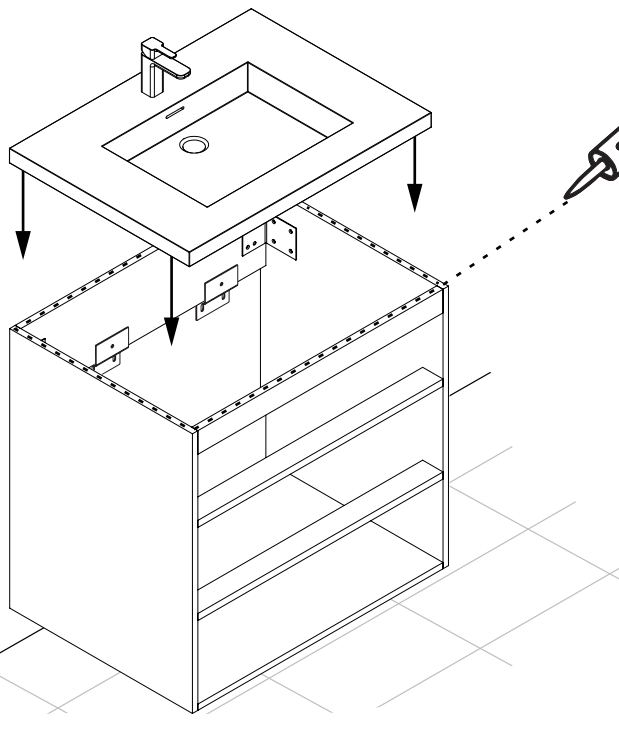


6 lag bolts for  
60C, 60D and 72D

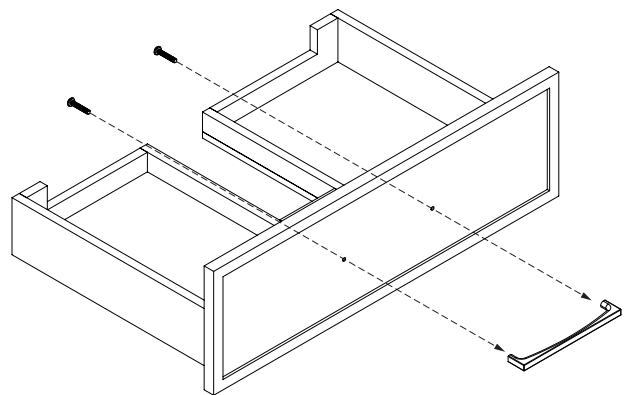
Make sure the back of the cabinet is leveled and straight before securing it to the wall studs or wood backing if available.



### STEP 4: Install countertop with silicone and handles as shown below.



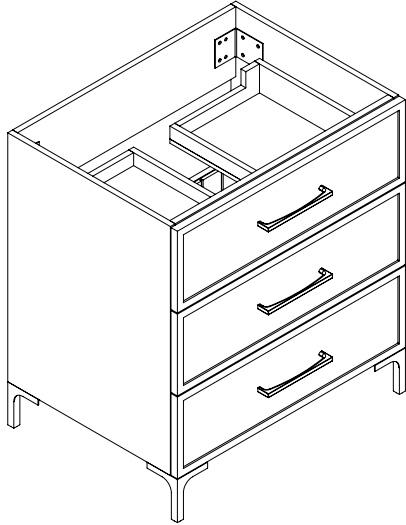
### HANDLE INSTALLATION



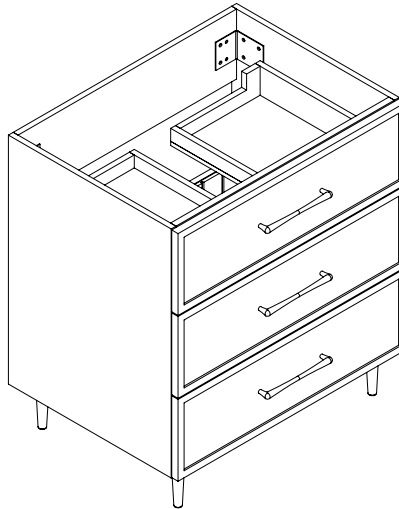
## Marquis - FREE STANDING VANITY

## Feet/Base Installation

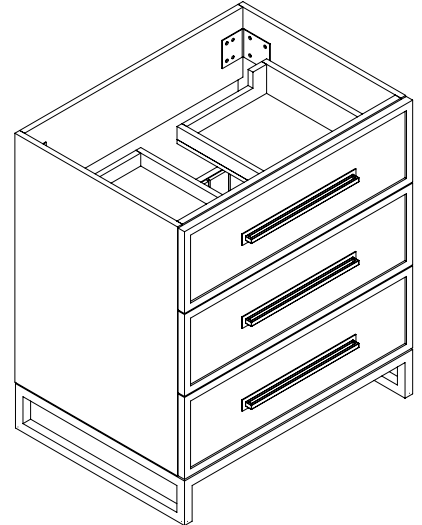
Y-FEET



R-FEET



C-BASE



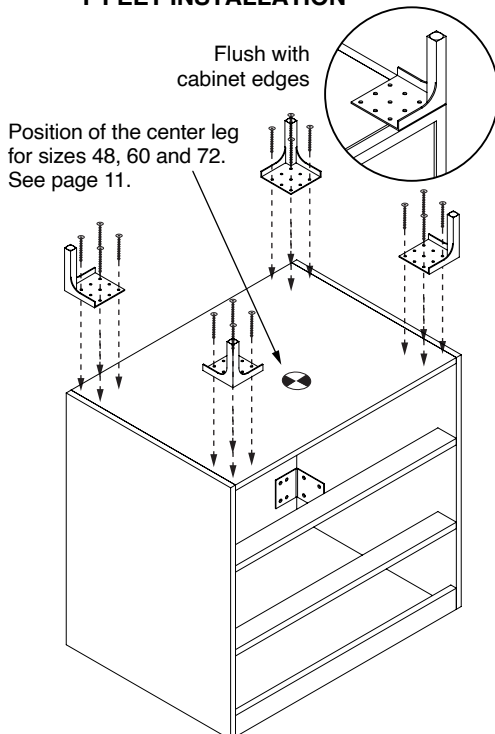
### FEET/BASE INSTALLATION

1. Remove all drawers as shown in page 7 (step 2).
2. Flip cabinet in the upside down position.
3. Mark screw locations using legs/base as template.
4. Pre-drill holes with 5/64", 3/32" or 7/64" drill bit about 1/2" deep.
5. Using provided screws, fix legs/base to cabinet as shown below.

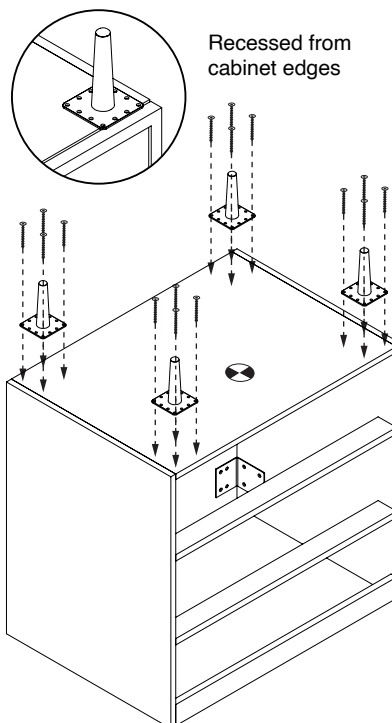
If using a regular battery drill, set clutch to minimum and increase setting as needed.

**DO NOT OVER TIGHTEN THE SCREWS. DOING SO WILL SPLIT THE WOOD SIDE PANEL.**

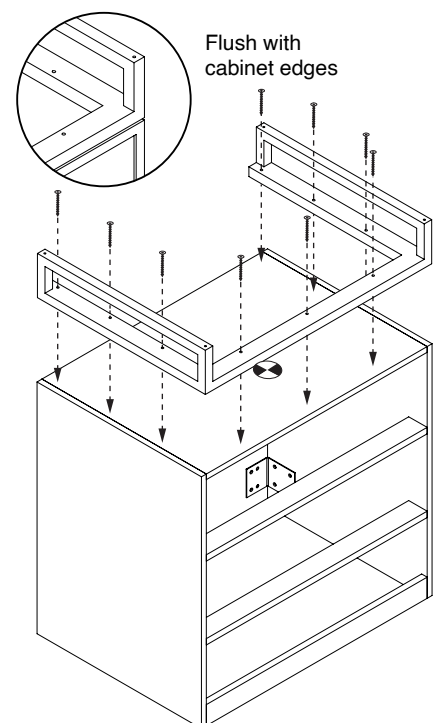
### Y-FEET INSTALLATION



### R-FEET INSTALLATION



### C-BASE INSTALLATION

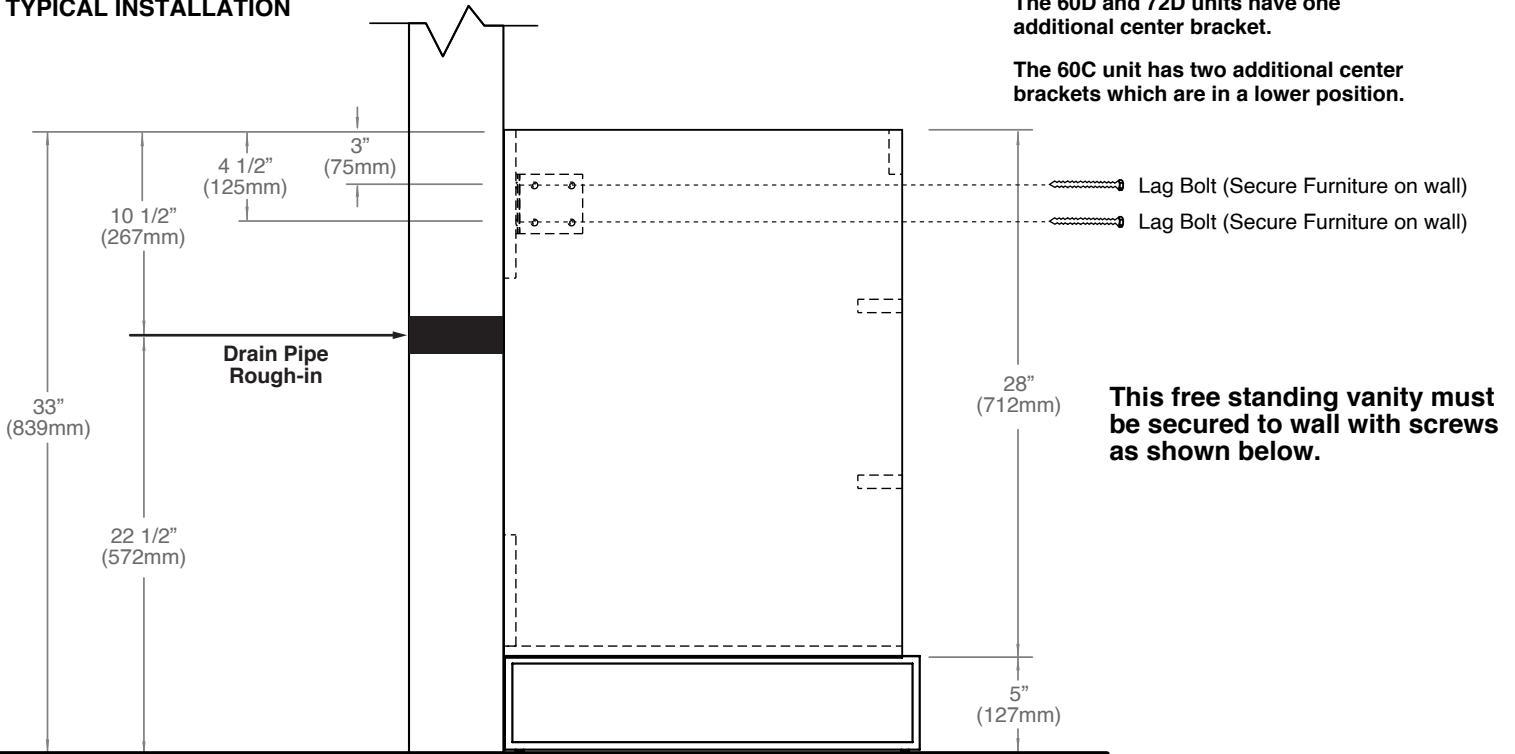


For clarification, please contact Madeli Customer Care at (800) 819-6988 Ext.1 or [service@madeli.com](mailto:service@madeli.com)  
All dimensions are approximate and subject to standard tolerance. Specifications subject to change without prior notice.

## Marquis - FREE STANDING VANITY

## Feet/Base Installation

### TYPICAL INSTALLATION



### SECURE CABINET TO WALL

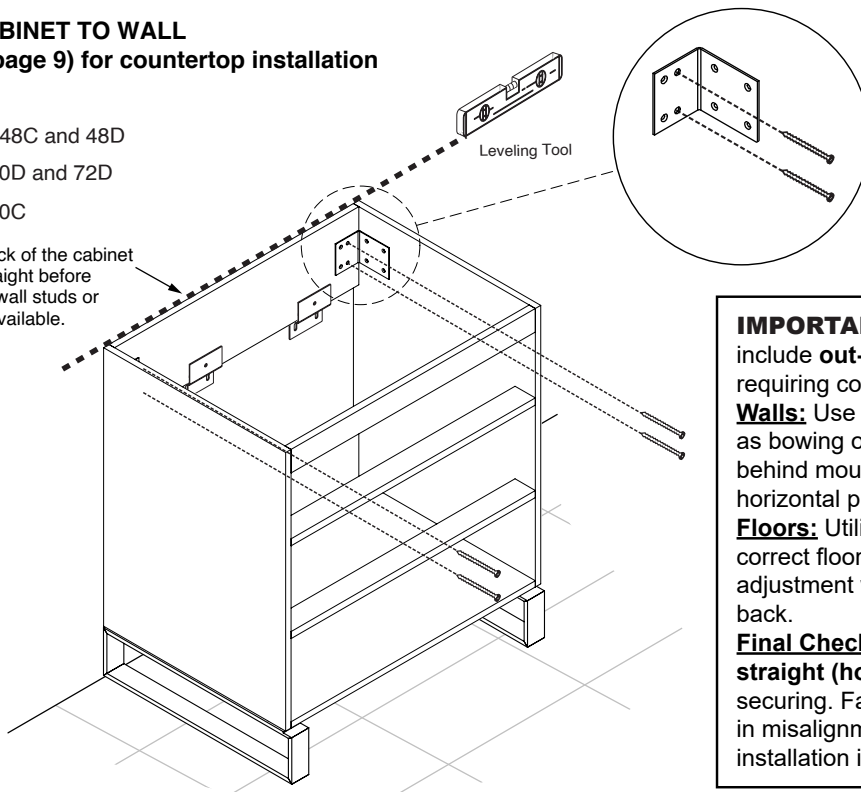
See step 4 (page 9) for countertop installation

4 lag bolts for  
24, 30, 36, 42, 48C and 48D

6 lag bolts for 60D and 72D

8 lag bolts for 60C

Make sure the back of the cabinet is leveled and straight before securing it to the wall studs or wood backing if available.



**IMPORTANT:** Field installation conditions often include **out-of-plumb walls** and **uneven floors**, requiring corrective measures for proper alignment.

**Walls:** Use **shims** to compensate for irregularities such as bowing or deviation from plumb. Position shims behind mounting points to achieve a true vertical and horizontal plane.

**Floors:** Utilize **provided adjustable leveling leg** to correct floor slope or height variations. Confirm leg adjustment with a level across the cabinet base and back.

**Final Check:** Ensure the vanity is both **level and straight (horizontal)** and **plumb (vertical)** before securing. Failure to correct these conditions may result in misalignment, stress on joints, and compromised installation integrity.

For clarification, please contact Madeli Customer Care at (800) 819-6988 Ext.1 or [service@madeli.com](mailto:service@madeli.com)

All dimensions are approximate and subject to standard tolerance. Specifications subject to change without prior notice.

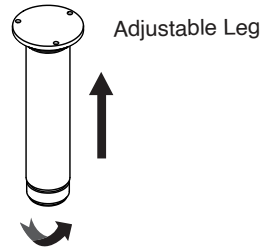
10 | Page

## Marquis - FREE STANDING VANITY

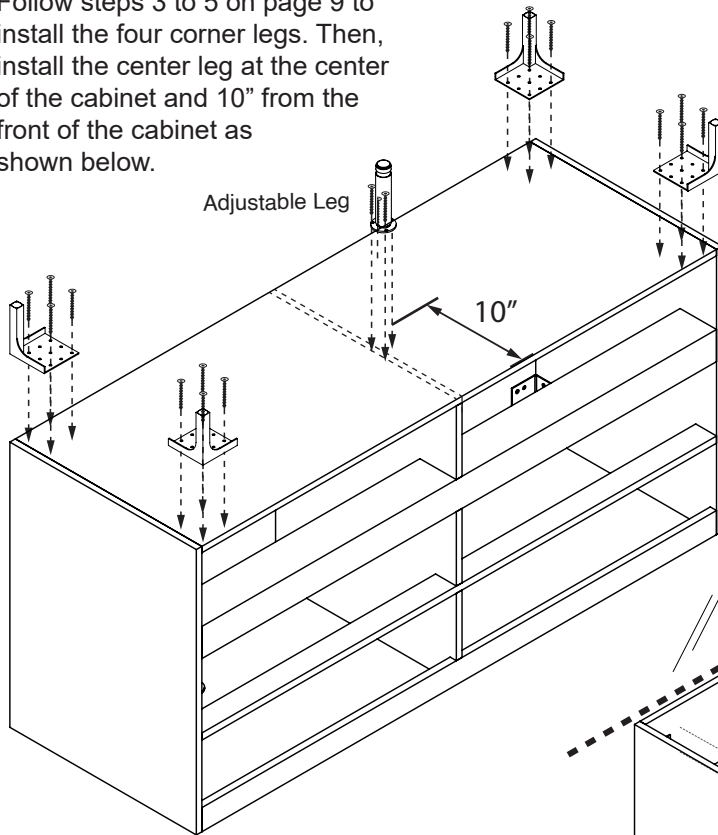
## Center (Adjustable) Feet Installation

**ALL FREESTANDING VANITIES - 48" TO 72" - MUST BE INSTALLED USING THE CENTER LEG**

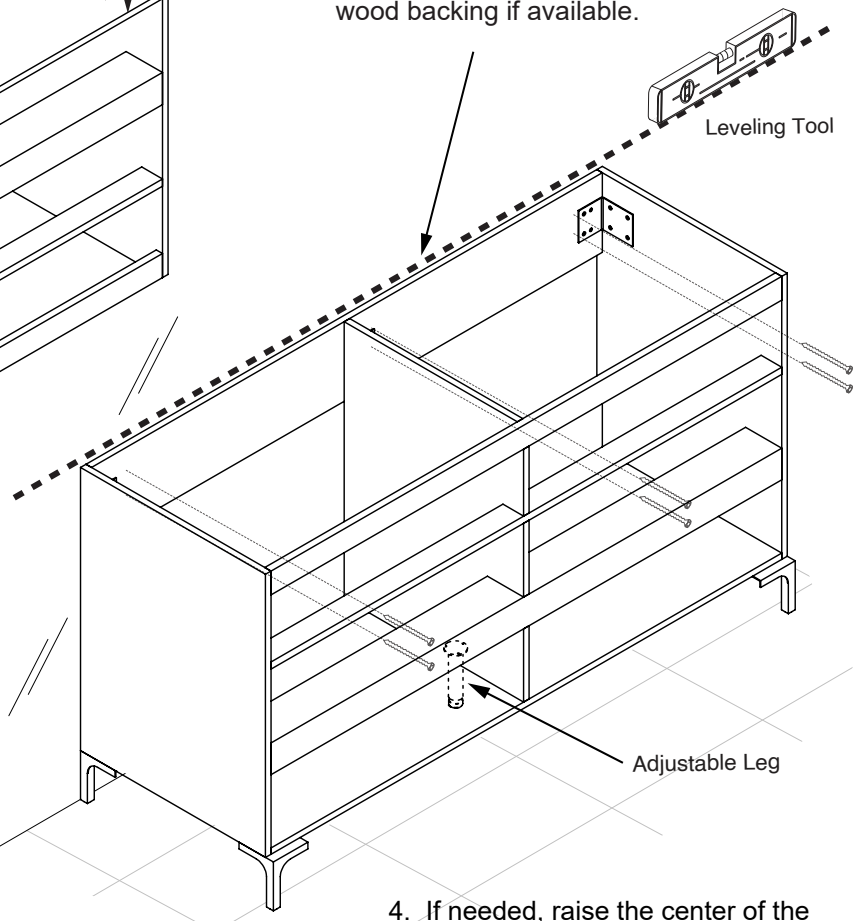
1. Turn the adjustable leg in order to contract it completely.



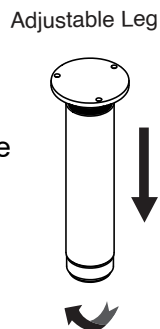
2. Follow steps 3 to 5 on page 9 to install the four corner legs. Then, install the center leg at the center of the cabinet and 10" from the front of the cabinet as shown below.



3. Make sure the back of the cabinet is leveled and straight before securing it to the wall studs or wood backing if available.



5. Turn the adjustable leg or uncrew it in order to expand it and to raise the cabinet as needed.

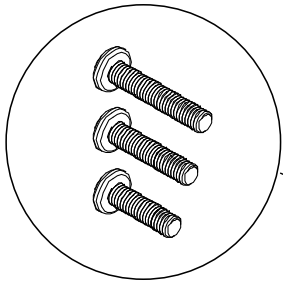


4. If needed, raise the center of the cabinet before securing the center to the wall using the adjustable leg as shown in step 5.

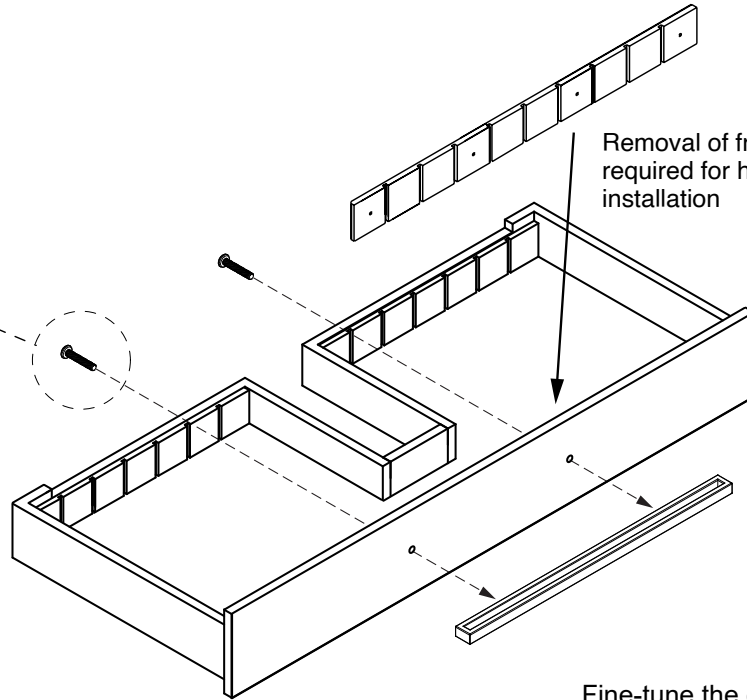
## Legend/Marquis - 24"/30"/36"/42"/48"/60"/72"

## Installation Guide

### HANDLE INSTALLATION



**NOTE:** Choose the appropriate screw length for alternative handles.

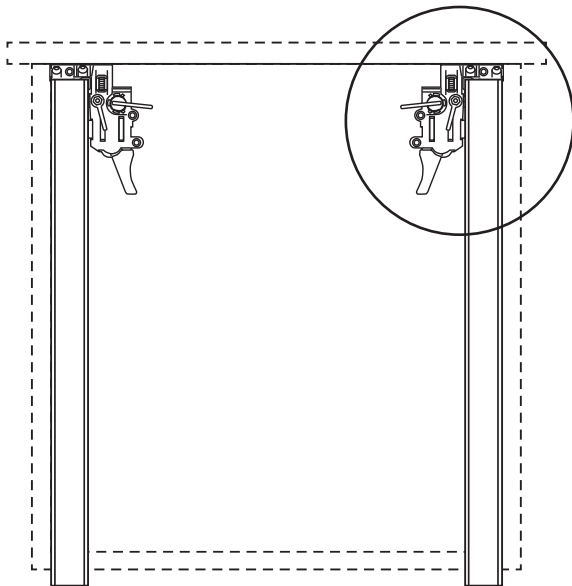


Removal of front slat is required for handle installation

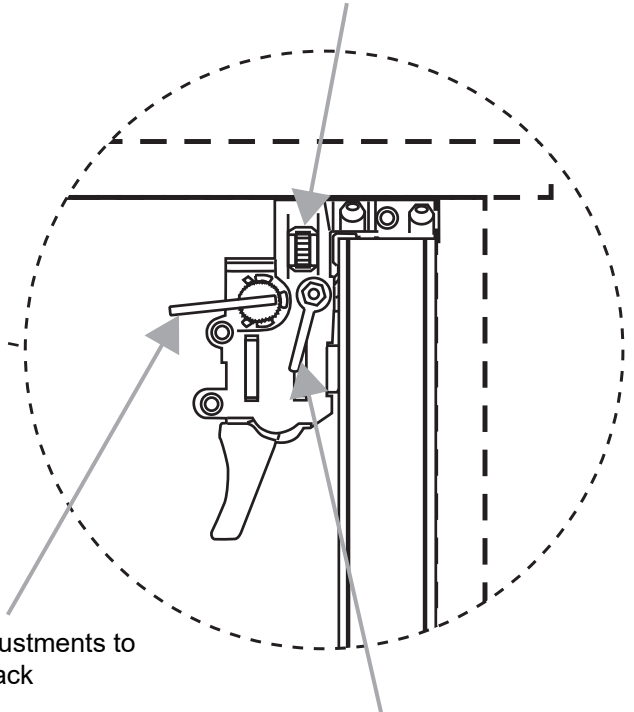
Fine-tune the clearance between the left and right sides of the front panel

### DRAWER ADJUSTMENT

Bottom View of Drawer



Make slight adjustments to the front and back



Micro-adjust the gap of above and below the front panel