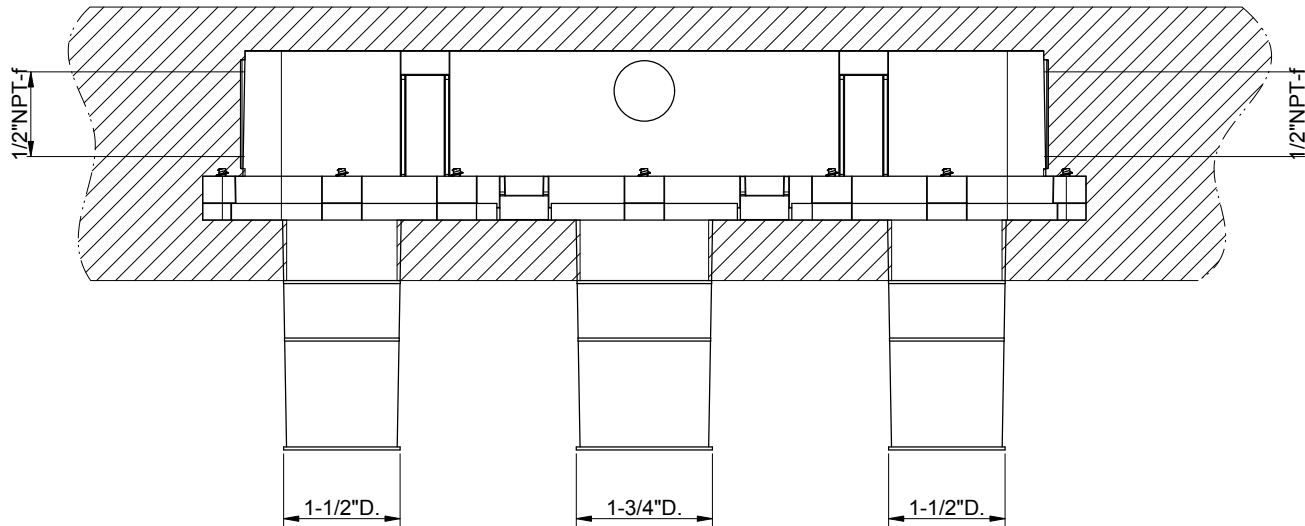
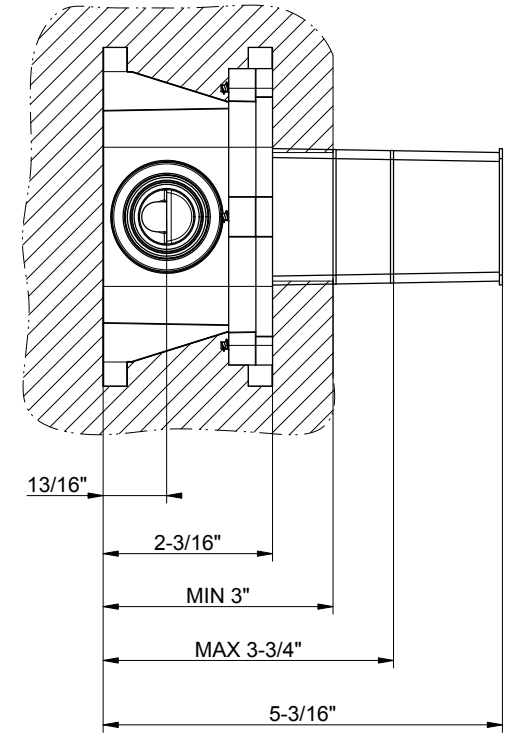
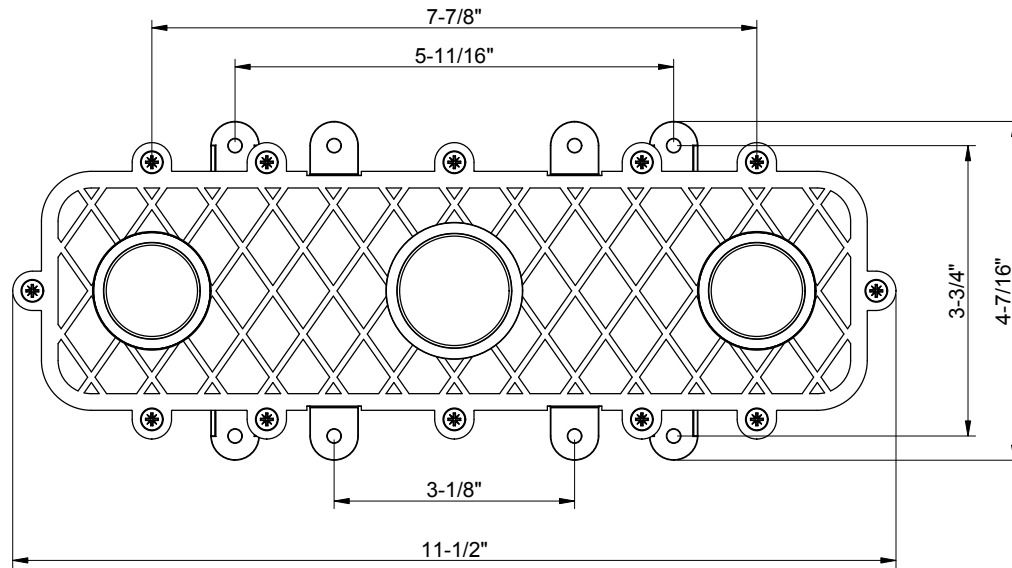


2x Faucet Valve



**GESSI**

**PARTI INCASSO 48089**

PARTE INCASSO PER LAVABO TRE FORI PIASTRE SINGOLE E BOCCA CENTRALE

Formato **A4**



Dis.: GPF4808910000G001

Gessi S.p.A. Parco Gessi, 13037 Serravalle Sesia (Vercelli) Italy Tel.0039 0163 454111 Fax.0039 0163 453150 www.gessi.com e-mail:gessi@gessi.it

*This drawing by its legislation cannot be disclosed or reproduced without a written authorization released by GESSI S.p.A. - 2016 Copyright® GESSI S.p.A.*