

## Reversible Fireclay Farmhouse Sink LFS3318



*reversible design allows customers to choose between flat or fluted side at time of installation*

### FEATURES

Available finishes:

- LFS3318W** White
- LFS3318SF** Silver Flax

Reversible design

Fine fireclay material

Standard 3 1/2" drain opening

Compatible with waste disposal units or standard basket strainers

No extended flange needed

No overflow

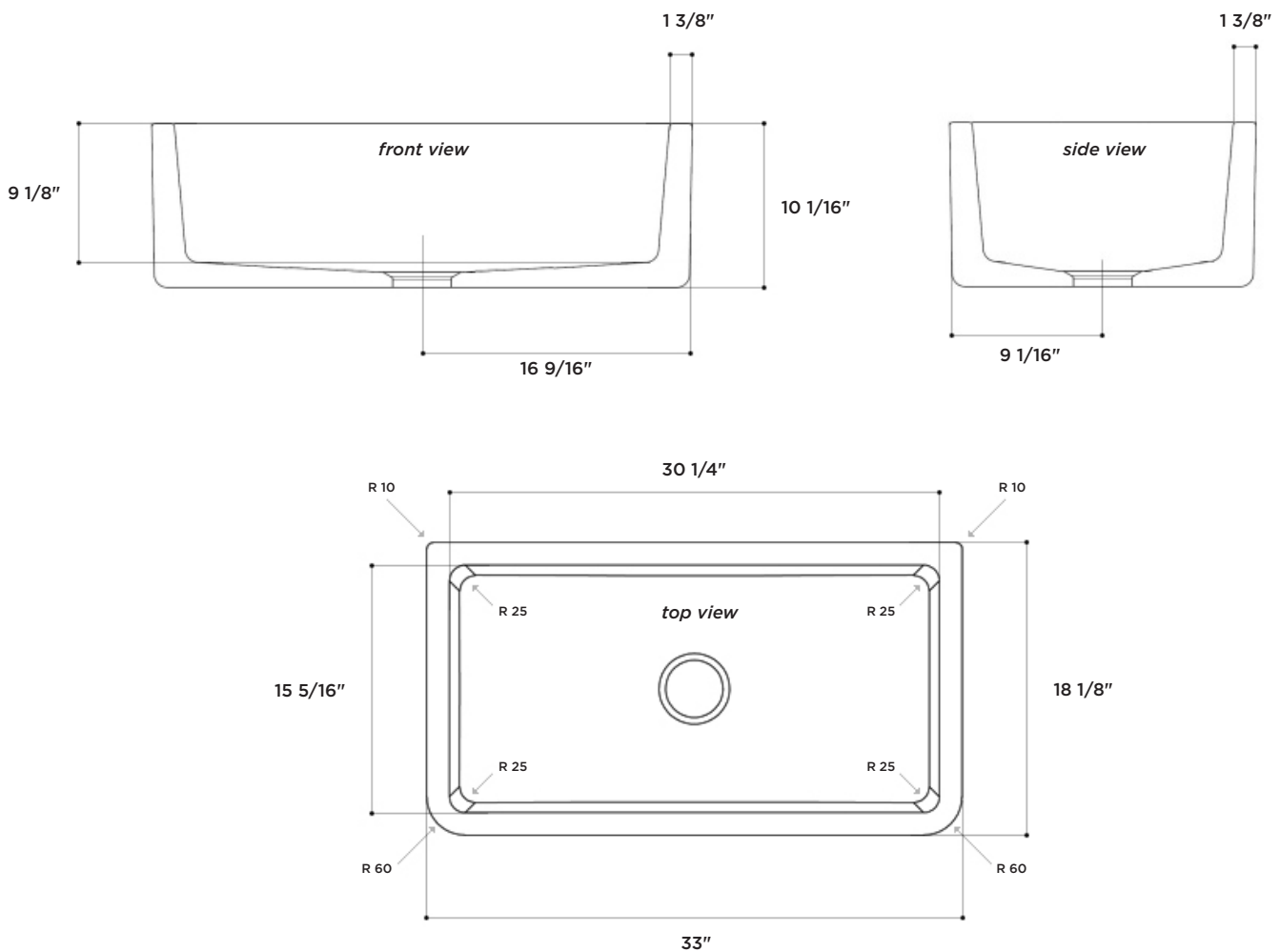
3 year warranty. See complete warranty for details

### DIMENSIONS\*

<b>LFS3318</b>	width	length	height
exterior	<b>33"</b>	<b>18 1/8"</b>	<b>10 1/16"</b>
interior	<b>30 1/4"</b>	<b>15 5/16"</b>	<b>9 1/8"</b>
<i>also available in 30" version</i>			

\* Due to the nature of fireclay products, the given dimensions may vary. We recommend that the cabinet maker wait until the sink is on hand before making any cabinetry or counter tops. While Latoscana endeavors to provide accurate information, all dimensions are nominal, cannot be guaranteed, and are subject to change.

**Reversible Fireclay Farmhouse Sink  
LFS3318**



**PLEASE NOTE**

Due to the nature of fireclay products, the given dimensions may vary. We recommend that the cabinet maker wait until the sink is on hand before making any cabinetry or counter tops. While Latoscana endeavors to provide accurate information, all dimensions are nominal, cannot be guaranteed, and are subject to change.