

LW6020A SPECIFICATIONS

metrix wall-mounted rimless toilet

FEATURES:

- Wall mounted, in wall tank toilet
- Vitreous china
- Dual flush consumption (0.8 gpf / 3 lpf or 1.6 gpf / 6 lpf)
- Elongated bowl
- Powerful, quiet flush every time
- ADA compliant when installed at the required height of 17" (430mm) - 19" (483mm)
- Ultra hygienic, rimless design provides nowhere for germs to hide therefore minimizing the risk of infection
- Easy to clean with a quick cloth wipe and no rim shadow ensures the bowl looks cleaner and shinier
- The flushing system effectively clears away any residue

SPECIFICATIONS:

Water Use:	0.8 gpf (3 lpf) or 1.6 gpf (6 lpf)
Flush System:	For 2x4 walls, recommend: Geberit in-wall carrier: 111.798.00.1 Grohe in-wall carrier: Rapid SL 38996000
Min. Water Pressure:	20 PSI
Water Surface:	5" x 4" (125mm x 100mm)
Warranty:	One Year Limited Warranty
Material:	Vitreous China
Shipping Weight:	57lbs (26kg)*
Shipping Dimensions:	(LWH) 24½" x 17¾" x 17¼" (620mm x 450mm x 435mm)

FINISHES:

White

ACCESSORIES:

- Geberit tank & actuator flush panels (not included)
- LSeat-004 - Duroplast, soft closing, quick release seat & lid (not included)
- LSeat-slim - Duroplast, soft closing, quick release seat & lid (not included)
- LB9020 coordinating bidet (sold separately)

INSTALLATION NOTES:

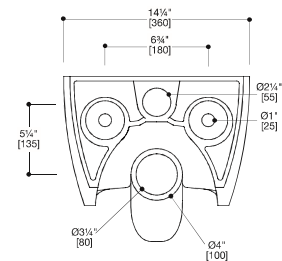
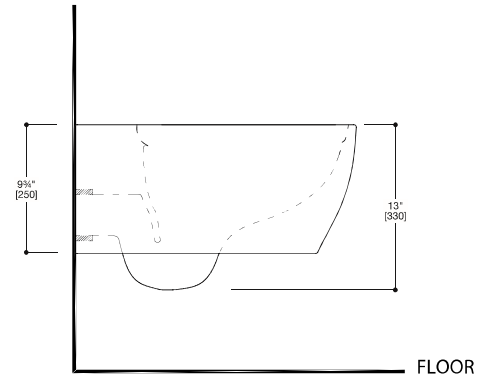
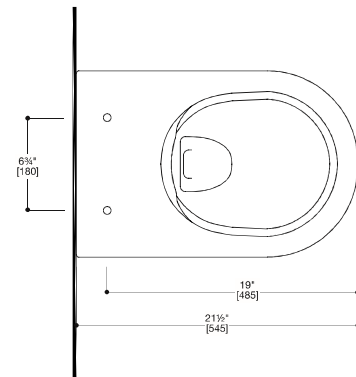
Install this product according to the installation guide.
Our products must be installed by certified professionals only.
Refer to manufacturer and local codes for flush valve requirements.

CODES / STANDARDS APPLICABLE:

- ADA compliant when installed at the required height of 17" (430mm) - 19" (483mm)
- Meets or exceeds ANSI / ASME standard A112.19.2 and CAN / CSA B 45 requirements
- ASME A112.19.2.2003
- IAPMO / UPC / cUPC
- ASME A112.19.5-2005 / CSA B125.3-2005
- CSA B45.0; CSA B45.1
- WaterSense & Calgreen compliant



*Approximate measurements for comparison only.
Note: These dimensions and specifications are subject to change without notice.



FLOOR

FLOOR