

## Urban-16 Linen Cabinet

## Specification & Installation Guide

### Features

- Wall hung Urban-16 linen cabinet
- Size: 60-5/8" (1540mm)H x 15-9/16" (395mm)W x 15" (380mm)D
- Furniture grade plywood layered with solid wood veneer and protected with several coats of polyurethane.
- Matching finish inside and out
- With two adjustable soft-close doors with adjustable European hardware
- Four interior clear glass adjustable shelves
- Six door clear glass adjustable shelves and retainer for full visibility
- Non-handed. Can be installed left or right hand

### Finishes

- Ash Grey (AG)
- Glossy White (GW)
- Walnut (WA)

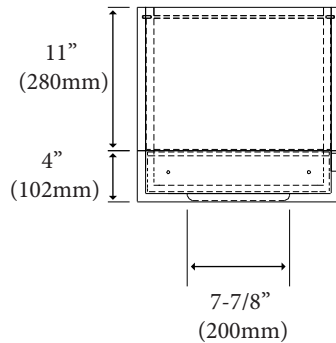
### Package dimension

18" x 18" x 64"

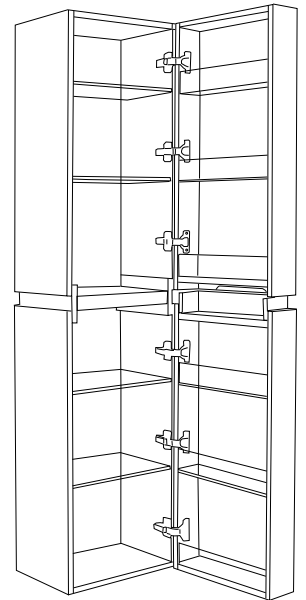
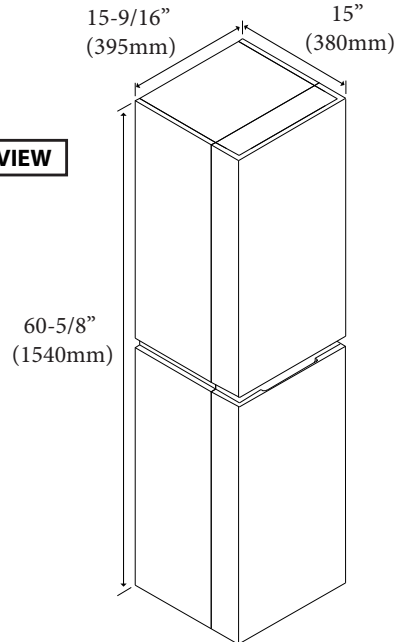
### Gross weight

98 lbs / 44.5 kgs

**TOP VIEW**

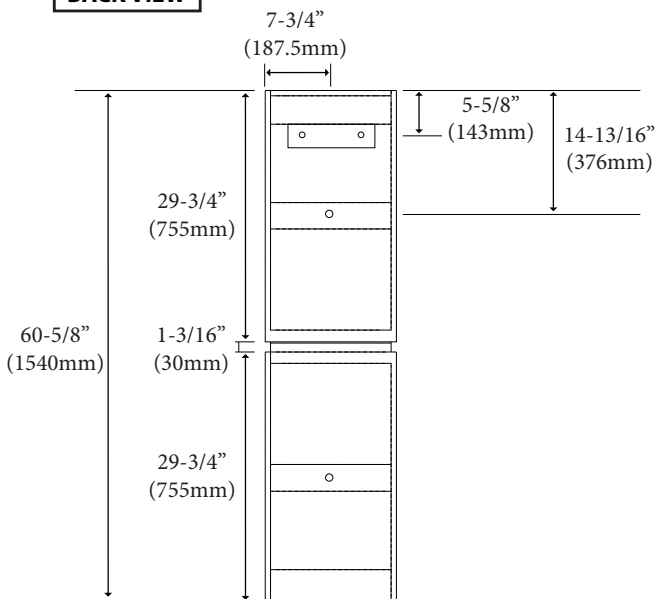


**FRONT VIEW**

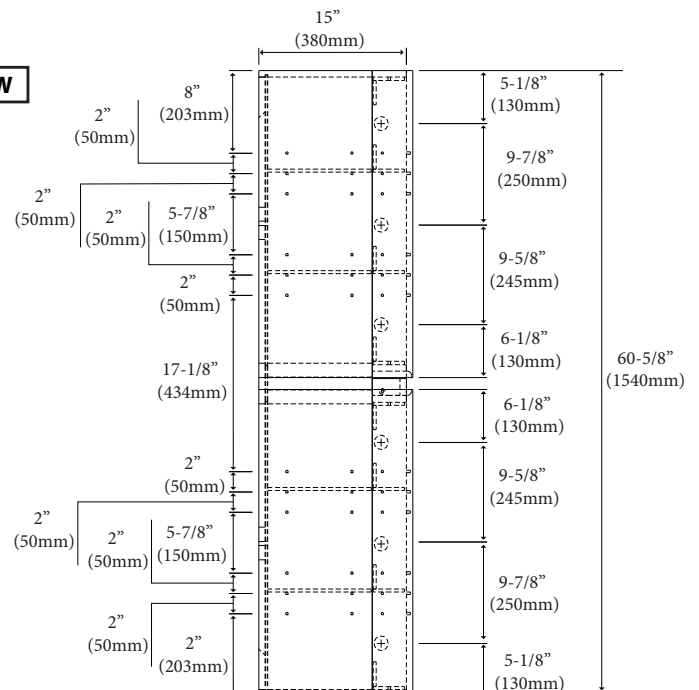


Right Hand Hinged Shown

**BACK VIEW**



**SIDE VIEW**



For clarification, please contact Madeli Customer Care at (800)-819-6988 or (305)-718-8817 Ext. 1

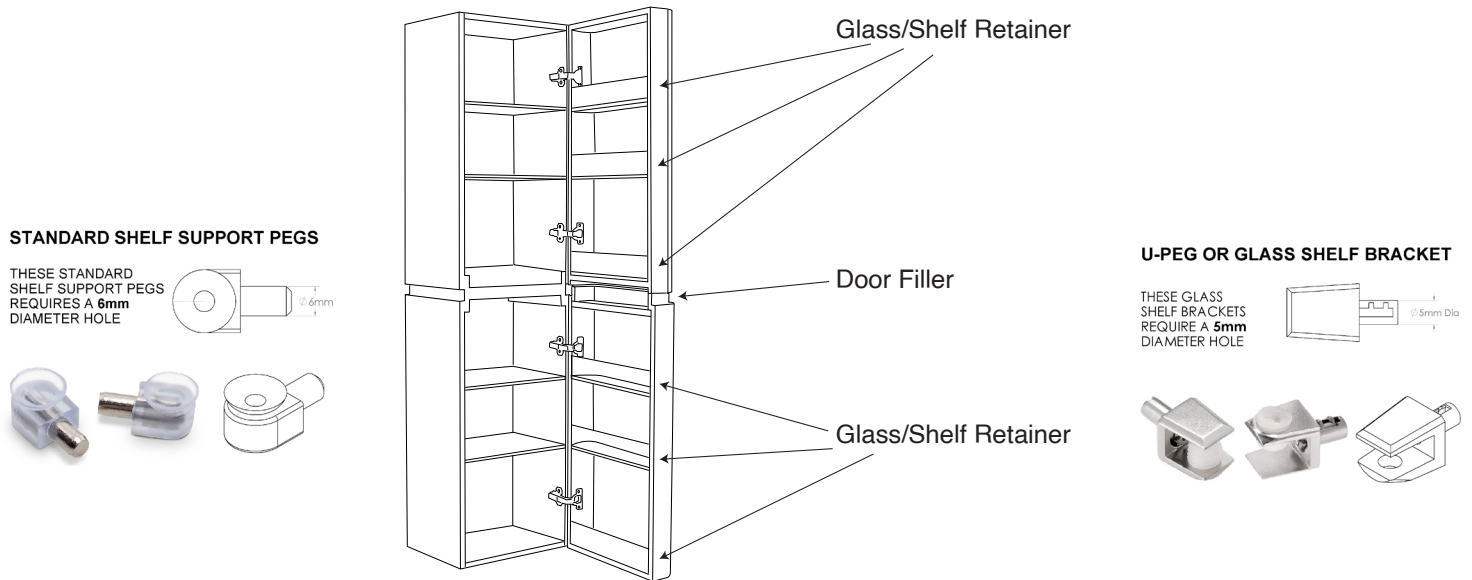
All dimensions are approximate and subject to standard tolerance. Specifications subject to change without prior notice.

## Urban-16 Collection

## Specification & Installation Guide

### RIGHT HAND AND LEFT HAND CONFIGURATIONS

#### RIGHT HAND HINGED (FROM FACTORY)



#### LEFT HAND HINGED

- Move Door Filler from TOP Door to BOTTOM Door
- Flip all shelves

