

# KTM32

33 Inch Topmount 60/40 Double Bowl 18 Gauge  
Stainless Steel Kitchen Sink  
Satin Finish

Kräus®

SPECIFICATION SHEET

## Material

18 Gauge Stainless Steel

## Installation Type

Topmount

## Bowl Type

Double Bowl Sink  
Offset: 60/40  
Pressed

## Minimum Cabinet Size

Topmount: 36"

## Dimensions

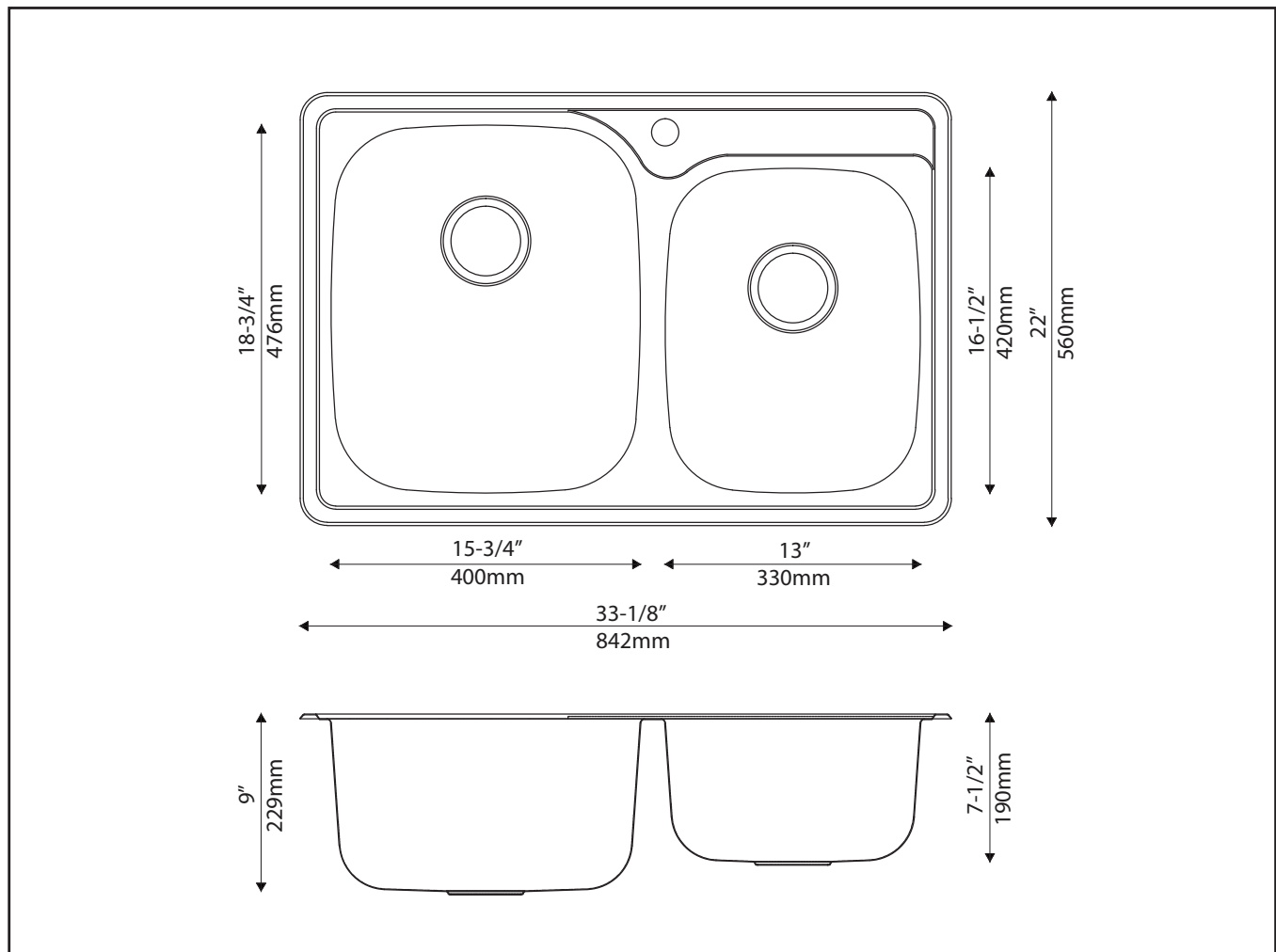
Sink Dimensions: 33 1/8" x 22" x 9"  
Radius Topmount: 1 1/8"

## Accessories Included

BST-1 & ST-1, Mounting Hardware, Template,  
Towel

Kraus Limited Lifetime Warranty: See website for details [www.kraususa.com](http://www.kraususa.com)

1.800.775.0703 / [customerservice@kraususa.com](mailto:customerservice@kraususa.com)



Sink complies with ASME A12.19.3-2008 / CSA B45.4-08 / cUPC - These sinks are listed by the International Association of Plumbing and Mechanical Officials as meeting the requirements of the Uniform Plumbing Code and the National Code Of Canada.

REV. December 21, 2015