



California Faucets®

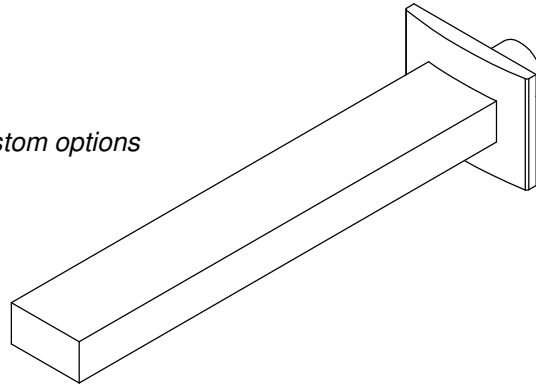
Solimar™

WALL TUB SPOUT

Features

- Over 30 finishes including 12 PVD finishes
- All brass construction
- Quick connect
- 8.2 gpm (31.0 L/m) maximum flow rate
- See Virtual Faucet Creator @ [www.calfaucets.com](http://www.calfaucets.com) for custom options

TS-70-70



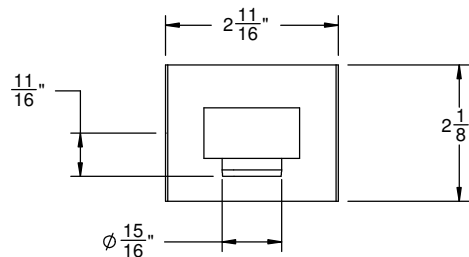
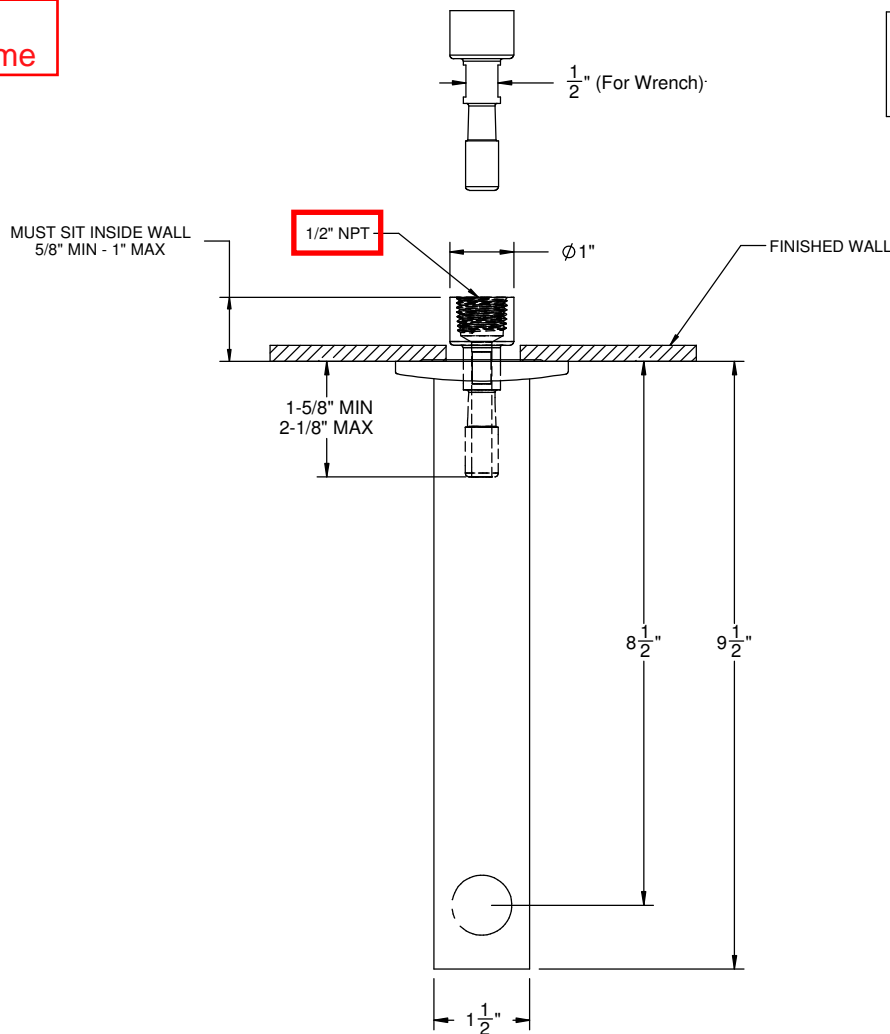
Codes/Standards Applicable

- Specified model meets or exceeds the following:
- ASME A112.18.1-2005/CSA B125.1-05

**Finish -**  
\* Polished Chrome

THROUGH-HOLE SPECIFICATIONS

SPOUT:  $\phi$  1-1/4"



ALL DIMENSIONS SHOWN TO NEAREST 1/16"