

# KHU100-30

30 Inch Undermount Single Bowl 16 Gauge  
Stainless Steel Kitchen Sink  
Satin Finish

Kräus®

SPECIFICATION SHEET

## Material

16 Gauge Stainless Steel

## Installation Type

Undermount

## Bowl Type

Single Bowl Sink  
Handmade

## Technology

Noise Defend

## Minimum Cabinet Size

Undermount : 33"

## Dimensions

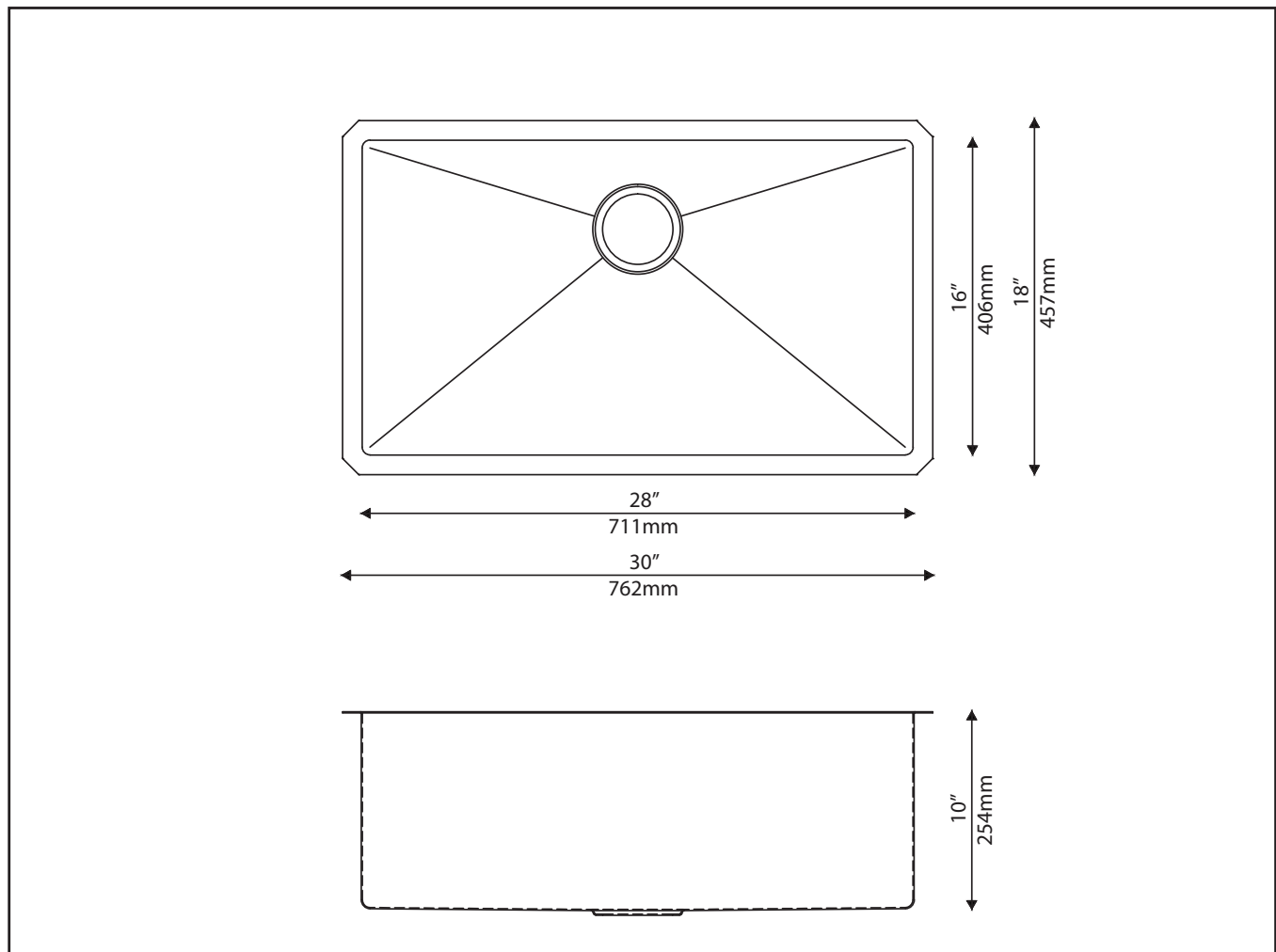
Sink Dimensions: 30" x 18" x 10"  
Radius Bowl 1: 3/8"

## Accessories Included

KBG-100-30, BST-1, Mounting Hardware, Template, Towel

Kraus Limited Lifetime Warranty: See website for details [www.kraususa.com](http://www.kraususa.com)

1.800.775.0703 / [customerservice@kraususa.com](mailto:customerservice@kraususa.com)



Sink complies with ASME A112.19.3-2008 / CSA B45.4-08 / cUPC - These sinks are listed by the International Association of Plumbing and Mechanical Officials as meeting the requirements of the Uniform Plumbing Code and the National Code Of Canada.

REV. December 21, 2015