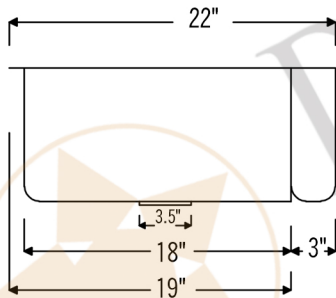
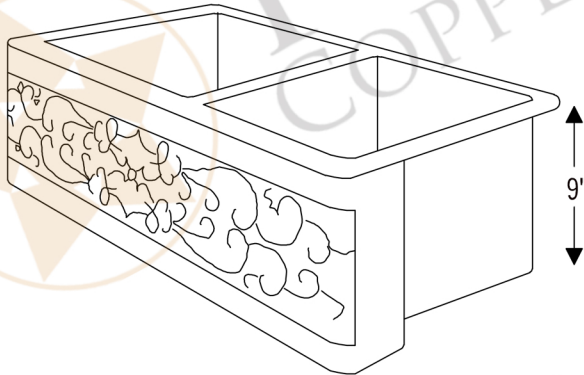
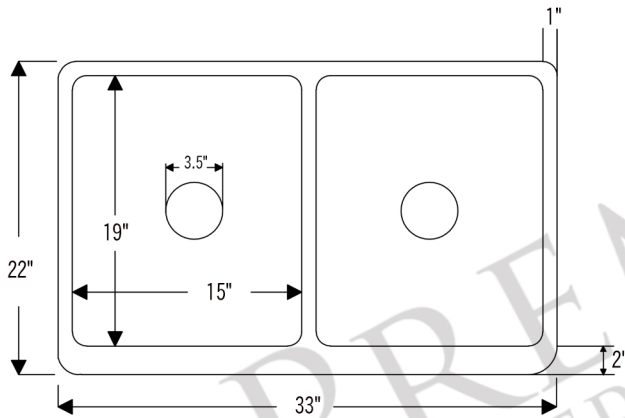




PREMIER  
COPPER PRODUCTS

## MODEL NUMBER: KA50DB33229S-NB

- \* Description: 33" Hammered Copper Kitchen Apron 50/50 Double Basin Sink w/ Scroll Design & Apron Front Nickel Background
- \* Outer Dimension: 33" x 22" x 9"
- \* Inner Dimension: L: 15" x 19" x 9" / R: 15" x 19" x 9"
- \* Rim: Back, Left, Right - 1" / Front - 2"
- \* Divider: 1" Wide (Optimized)
- \* Drain Opening: 3.5"
- \* Gauge: 14
- \* Finish: Oil Rubbed Bronze and Nickel



THIS PRODUCT IS HAND CRAFTED, SMALL VARIANCES IN COLOR AND SIZE MAY OCCUR.  
DO NOT MAKE ANY INSTALLATION CUTS UNTIL YOU RECEIVE YOUR ITEM(S).