

Date: 13-06-2022

Name of customer:

Name of project:

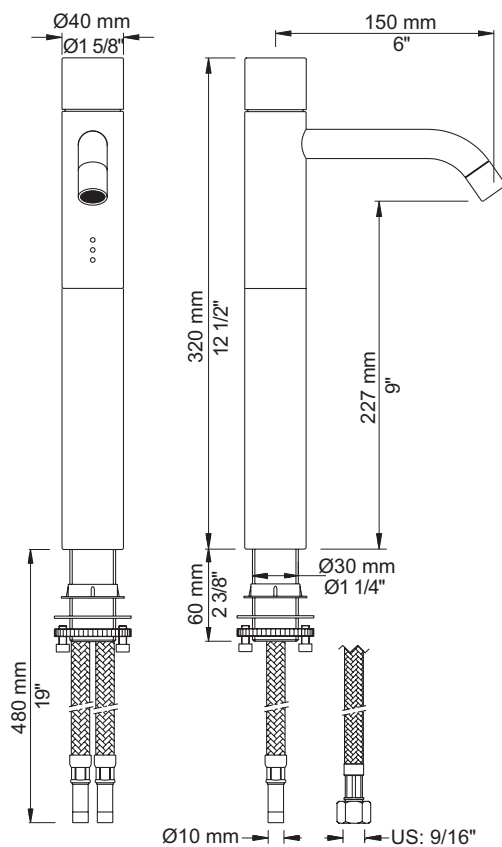
Item: HV1E+170/150



HV1E+170/150

Basin mixer with on-off sensor for 'hands free' operation. The temperature control handle is available with or without peg, HV1E is without peg. Models with no peg can be locked in a preset position during installation. HV1E comes complete with batteries. Valve box for electronic mixer, VR2618 enclosed.

	Bar:	1,0	2,0	3,0	4,0	5,0
HV1E	(l/min)	5,0	5,0	5,0	5,0	5,0



Available in colours

- Color 02, Grey
- Color 04, Light blue
- Color 05, Orange
- Color 06, Light green
- Color 08, Yellow
- Color 09, Dark grey
- Color 12, Mocca
- Color 14, Bright red
- Color 15, Dark blue
- Color 16, Polished chrome
- Color 17, Gloss black
- Color 18, White
- Color 19, Natural brass
- Color 20, Brushed chrome
- Color 21, Carmine red
- Color 25, Pink
- Color 27, Matt black
- Color 40, Brushed stainless steel



Date: 13-06-2022

Name of customer:

Name of project:

Item: HV1E+170/150



VR2618
Valve box for electronic HV1E, HV1EN, 4911, 4921, 4911VS, 4921VS

