



Features

- Available in 28 finishes including 13 PVD finishes
- All brass construction
- 16 gpm (60.6 L/min) max flow rate at 60 psi
- For use with StyleTherm, 3-VR, or 2-VR valves



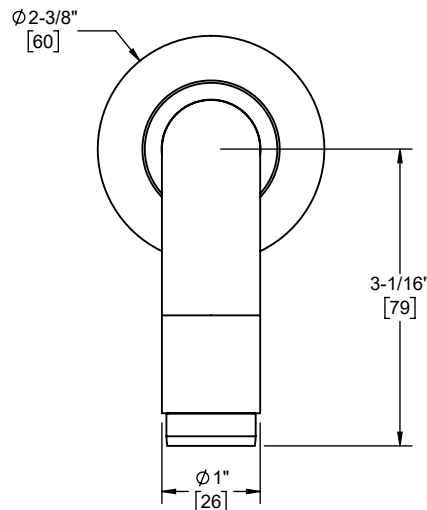
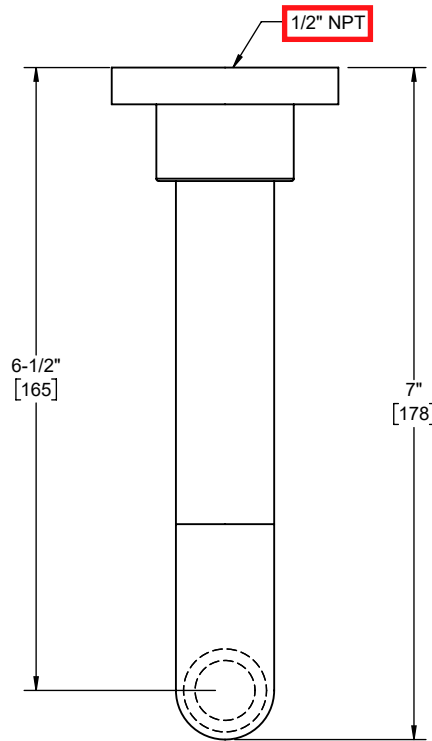
Codes/Standards Applicable

Product meets or exceeds the following:

- ASME A112.18.1/CSA B125.1



Finish -
* Polished Chrome



Through-Hole Specifications		
Min	Recommended	Max
Ø 1" [25]	Ø 1-1/4" [32]	Ø 1-9/16" [40]

Dimensions are inches, rounded to 1/16"
[Dimensions in brackets are mm, rounded to 1mm]