

Date:

Client:

Project:

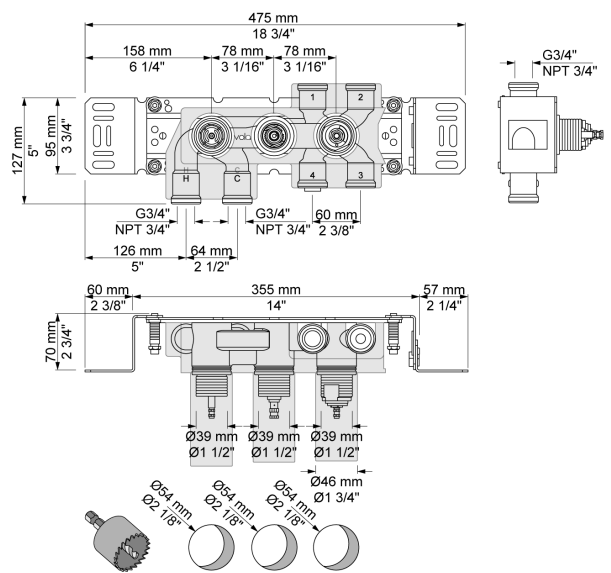


5400VA3

Thermostatic mixer with 3-way diverter. 3/4" connection to copper, steel, iron or pex pipe work.

Flow

	Psi:	14.5	29.0	43.5	58.0	72.5
Cal Outlet 1	(gal/min)	4.9	6.9	8.5	9.8	10.9
Outlet 2	(gal/min)	4.9	6.9	8.5	9.8	10.9
Outlet 3	(gal/min)	4.9	6.9	8.5	9.8	10.9
Cal Outlet 1	(gal/min)	1.2	1.6	2.0	2.0	2.0
Cal Outlet 2	(gal/min)	1.2	1.6	2.0	2.0	2.0
Cal Outlet 3	(gal/min)	1.2	1.6	2.0	2.0	2.0



Available in colors