

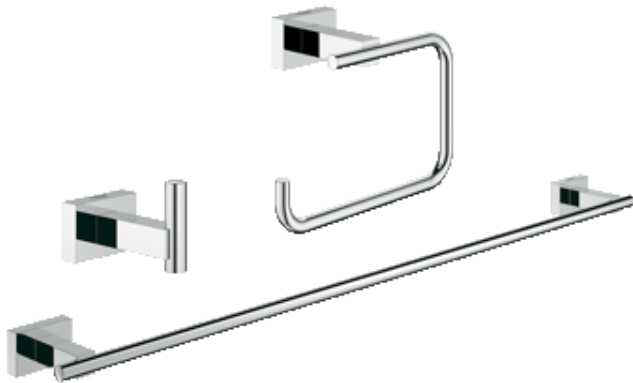
# ESSENTIALS CUBE

MODEL # 40777

*Pure Freude an Wasser*



GROHE America, Inc | 200 North Gary Avenue, Suite G, Roselle, IL 60172  
Phone: +1 (800) 444-7643 | Fax: +1 (800) 225-2778 | us-customerservice@grohe.com



## Product Description:

### Standard Specification:

- GROHE StarLight® finish

### Color:

- 40777 001 chrome

