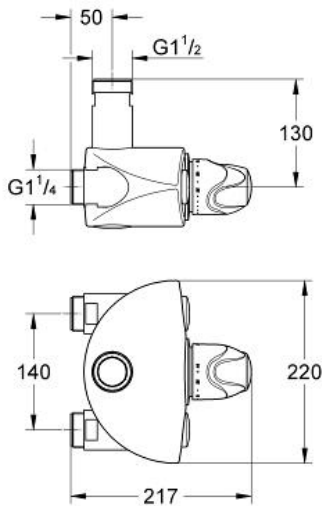


GROHTHERM XL Thermostatic Mixing Valve

MODEL # 35085000

Pure Freude
an Wasser



Product Description:
GROHTHERM XL
Thermostatic Mixing Valve

Standard Specification:

- Wall mount
- Range of use (2.4 - 37 gpm)
- Wax thermoelement
- Temperature scale handle with pre-adjustable safety stop between 91°F and 110°F
- Process to make the thermal disinfection easier
- Built-in non-return valves with dirt strainers (compact service units)
- 1 1/4" connecting thread
- 1 1/2" outlet thread
- Top/bottom outlet changeable
- Without connection unions
- **GROHE StarLight** chrome finish
- Min. recommended pressure: 15 psi
- Max flow rate 37 gpm at 45 psi

Applicable Codes & Standards:

- Energy Policy Act of 1992
- ASME A112.18.1/CSA B125.1

Color:

- 35085000 StarLight Chrome

