

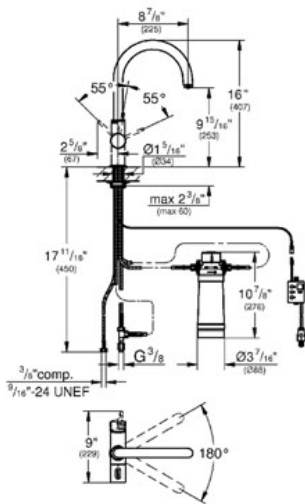
GROHE BLUE® PURE

MODEL # 31312

Pure Freude an Wasser

GROHE

GROHE America, Inc | 200 North Gary Avenue, Suite G, Roselle, IL 60172
Phone: +1 (800) 444-7643 | Fax: +1 (800) 225-2778 | us-customerservice@grohe.com



Product Description:

Standard Specification:

- GROHE SilkMove® ceramic cartridge
- GROHE Blue® single-lever faucet with filter function
- GROHE StarLight® finish
- Single hole installation
- Separate handle for filtered water
- Adjustable flow rate limiter
- Swivel Spout
- Swivel area 180°
- Separate internal water ways for filtered and non-filtered water
- Stainless Steel Braided Flexible Supplies
- Type of protection IP 21
- Main switching power supply 100 - 240 V AC (50/60 Hz) with safety extra-low voltage (SELV) 6 V DC to change filter display unit
- Adjustable for 158 gal., 400 gal., 800 gal. filter cartridges
- GROHE Blue® 158 gal
- GROHE Blue® 600 l filter, filter head with flexible adjustment
- Noise classification 1 in accordance with DIN4109 incl. certificate
- Max Flow Rate 1.75 gpm (6.6 L/min)

Applicable Codes & Standards:

- NSF 61
- ASME A112.18.1/CSA B125.1
- US Federal and State material regulations
- ICC/ANSI A117.1

Color:

- 31312 001 chrome
- 31312 000 chrome
- 31312 DC1 supersteel
- 31312 DC0 supersteel