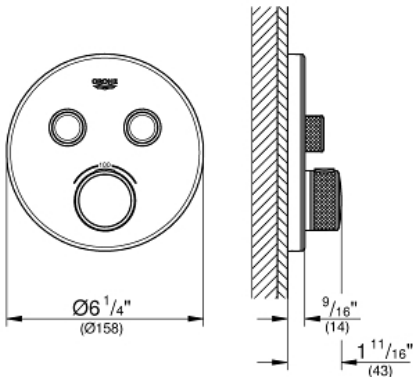


GROHTHERM SMARTCONTROL Dual Function Thermostatic Trim with Control Module

MODEL # 29160LS0

Pure Freude
an Wasser

GROHE



Product Description: GROHTHERM SMARTCONTROL Dual Function Thermostatic Trim with Control Module

Standard Specification:

- Final installation set for:
- Required rough-in-set sold separately (GROHE Rapido SmartBox 35 601 000)
- Metal wall escutcheon with **GROHE QuickFix** (covered escutcheon and shaft sealing, covered fixing), 6° angle adjustable
- 3/8" (10 mm) thin profile escutcheon
- **GROHE StarLight** finish
- SmartControl push for ON-OFF, turn for volume adjustment from EcoJoy to Full Flow
- Includes various icons to customize push buttons
- **GROHE TurboStat** Compact cartridge with wax thermoelement
- **GROHE SafeStop** safety button at 100°F/38°C
- Built-in check valve with dirt strainer
- Multiple outlets can be run simultaneously
- Cover plate in moon white acrylic glass
- Maximum flow performance combined: 7.7gpm (29L/min) @ 43.5 psi (3 bar)
- Optional flow reducer for CALGreen compliance included

Applicable Codes & Standards:

- ASME A112.18.1/CSA B125.1
- CalGreen

Color:

- 29160LS0 Moon White