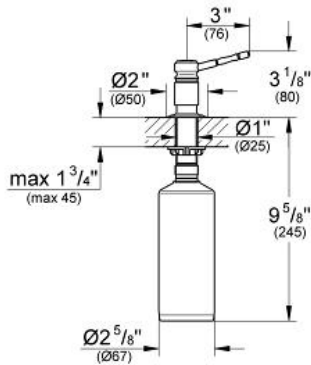


Soap Dispenser

MODEL # 28750000

Pure Freude
an Wasser

GROHE



Product Description:

Soap Dispenser

Standard Specification:

- Capacity 15 oz.
- One Piece Cartridge Pump Unit
- Brass Head and Flange

Applicable Codes & Standards:

- Energy Policy Act of 1992
- ASME A112.18.1/CSA B125.1

Color:

- 28750000 StarLight Chrome