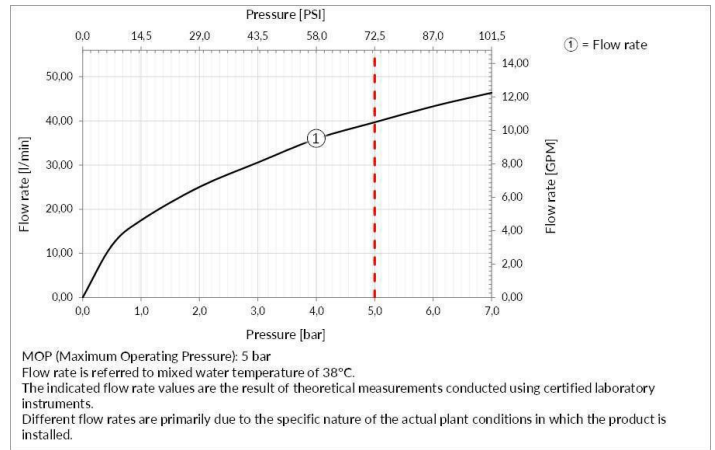
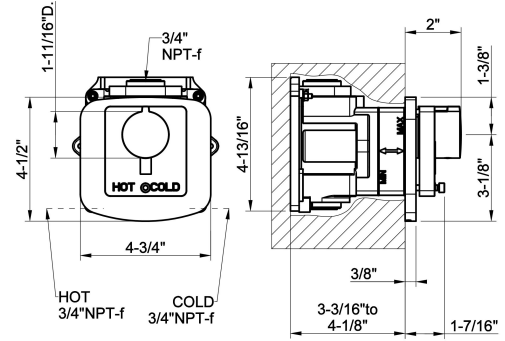


External part wall-mounted thermostatic high-capacity mixer

TECHNICAL FEATURES

- **Drive:** Remote control
- **Presence of water supply connections:** No
- **Connection hoses:** No
- **Height:** 4,4 inch
- **Width:** 4,7500 inch
- **Depth:** 1,9000 inch
- **Electronics:** No
- **Battery presence:** No
- **Sensor presence:** No
- **Customizable product:** No
- **Water mixing type:** thermostatic mixing
- **Cartridge type:** Thermostatic cartridge
- **Thermostatic block temperature:** 38 °C
- **Number of water outlets:** 1
- **Simultaneous outlets:** Non-simultaneous and non-independent outlets
- **Handshower presence:** No
- **Plate type:** Separate plates



CERTIFICATIONS

- CSA, MASS, MASS recognized

Production managed by a certified Quality System compliant with ISO 9001:2015 For additional approved contact Gessi S.P.A.

TECHNICAL PRESCRIPTION

- Test watertight and cleaning of the pipes before installing the tap.
- In order to guarantee a long duration of the product and its total functionality install a filter.
- Working maximum pressure value 72,5 PSI - in case of higher pressure, to use a pressure reducer.
- Working pressure for an optimal installation: 43,5 PSI.
- In any case please refer to the instruction manual and warranty provided with the product.
- Supply the product with mains water with a maximum temperature of 70°C and for short periods of use.

INDICATIONS FOR CLEANING

Clean only with a new microfiber cloth and soapy water and dry with a dry cloth. Detergents, solvents, alcohol, abrasive sponges, wire, wool, alcohol, etc., should not be used as these could irreparably damage product surfaces compromising its aesthetics and brilliance.

ACCESSORIES AND FITTINGS

For additional matching bathroom accessories and fittings available, see official Gessi price list.



FINISHES CHARACTERISTICS

CHROME

Gessi products have a Chromium Plating finish. This is a high-quality coating composed of a first layer of nickel, a second layer of chromium, a very shiny appearance, high resistance to corrosion and abrasion.

LAQUERED

Gessi products have an industrial lacquer finish. This coating is obtained by means of a special industrial process that involves spraying the lacquer onto the product with a subsequent firing process at a high temperature. The lacquer used is of the highest quality and ensures maximum resistance and durability. The different lacquer types depend on the product type.

PVD COLORS

Gessi products have a PVD finish. This coating is obtained through the PVD (Physical Vapour Deposition) process, which is a state-of-the-art coating process that is highly resistant to abrasion and corrosion. The process is carried out in a vacuum chamber, where the material to be deposited is heated and vaporized, and then condensed onto the product to be coated. The result is a thin, uniform, and highly resistant film.

STAINLESS STEEL

Gessi products have a solid Stainless Steel finish. This is a very high-quality finish, with a very high resistance to corrosion and abrasion. The finish is obtained by means of a special brushing process, which gives the product a very elegant and modern appearance. The finish is also very easy to clean and maintain.

For additional finishes contact Gessi S.P.A.