

GA-1010ML

OVERALL HEIGHT WITH:

8" SPOUT = 14 3/4"

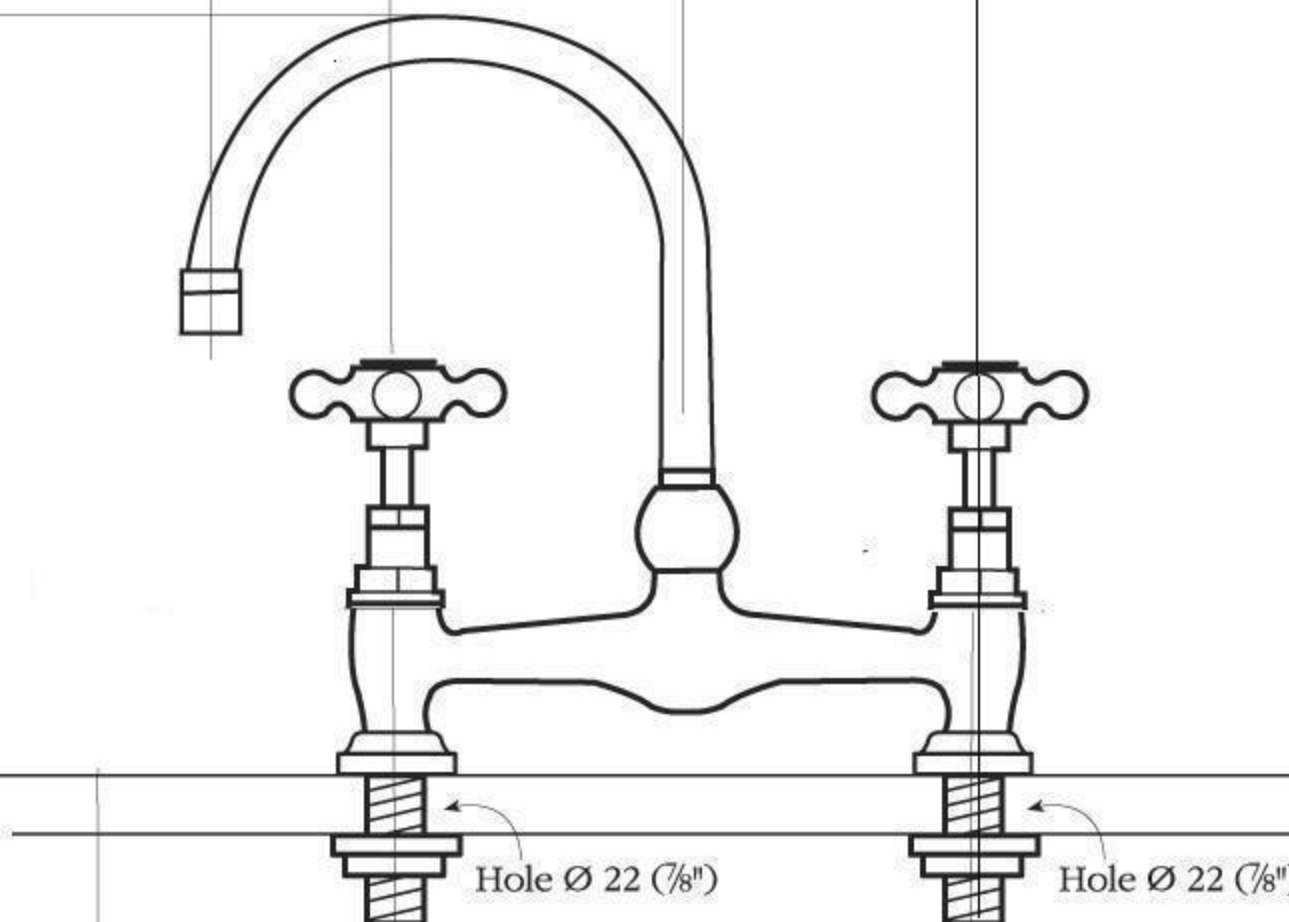
6" SPOUT = 12 1/2"

4" SPOUT = 10 1/2"

203 (8") Fixed Centres

215
(8 1/2")

14 3/4



Hole Ø 22 (7/8")

Hole Ø 22 (7/8")